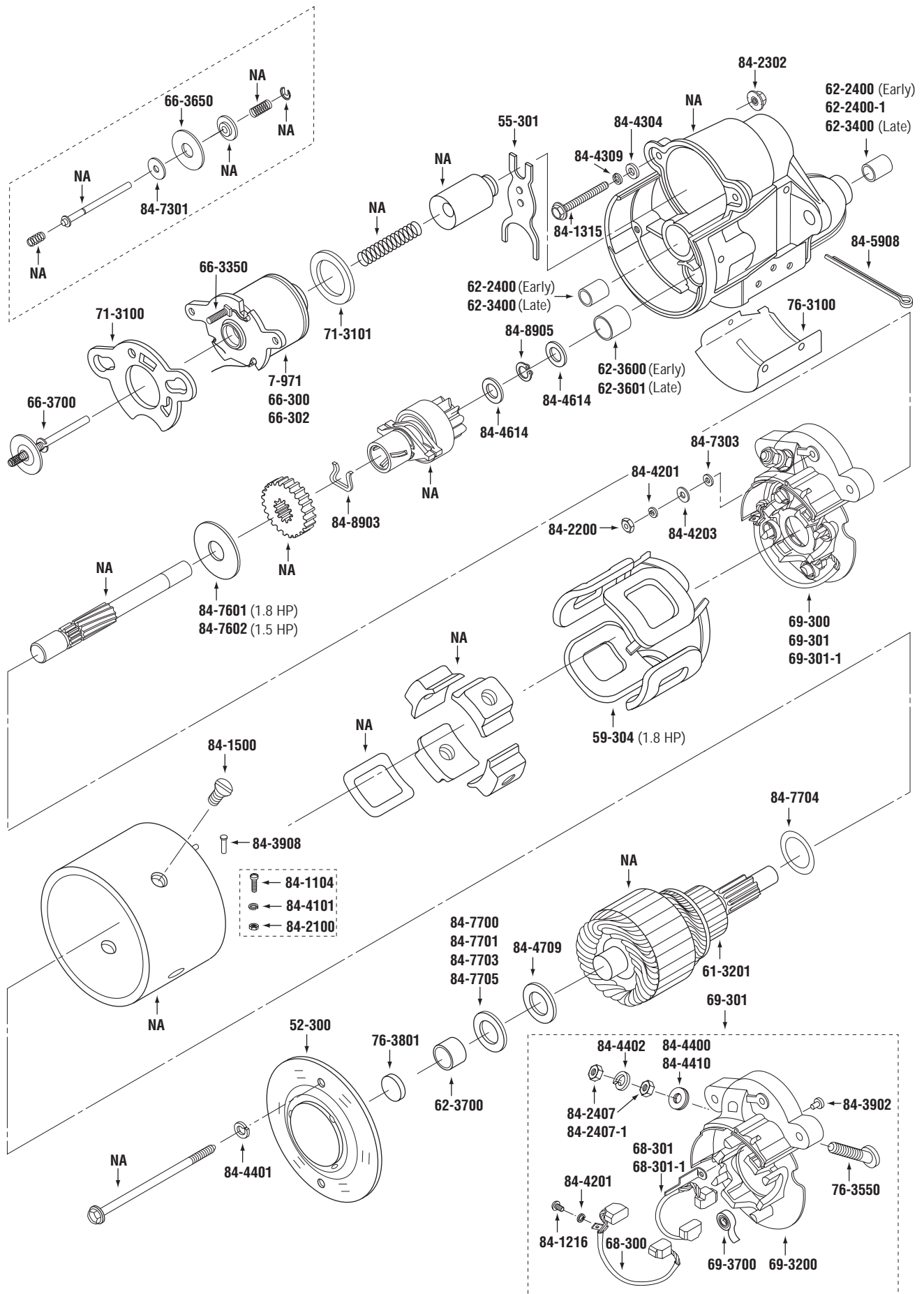


# CHRYSLER GEAR REDUCTION 1.5HP, 1.8HP

CHRYSLER GEAR REDUCTION

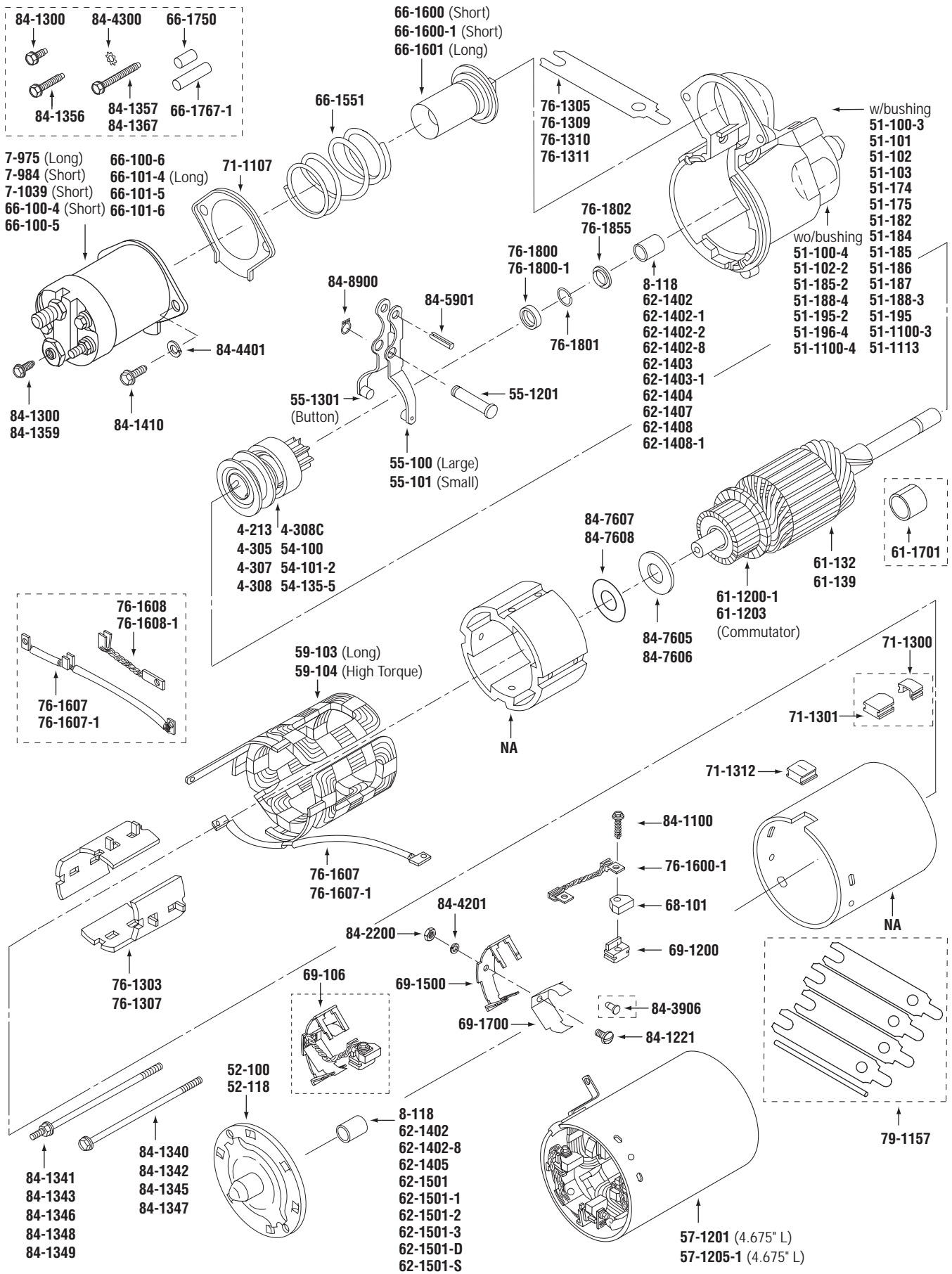


# CHRYSLER GEAR REDUCTION 1.5HP, 1.8HP

WAI No.	Description	WAI No.	Description
7-971	SOLENOID (w/ Mtg. Ears, Wide Gap in Sleeve, Accurate)	84-2200	HEX NUT - Soln. Relay Term. (8-32 x 11/32 F x 1/8 T)
52-300	END FRAME	84-2302	HEX NUT - Brush Holder Mtg. (10-24 x 3/8 F x 9/32 T, Serrated Flange)
55-301	SHIFT LEVER (1-1/4 ID, Wide Fork)	84-2407	HEX NUT - Batt. Term. (5/16-18 x 1/2 F x 3/16 T, Zinc Plated)
59-304	FIELD COIL - 1.8 HP Strs.	84-2407-1	HEX NUT - Batt. Term. (5/16-18 x 1/2 F x 1/4 T, Zinc Plated)
61-3201	COMMUTATOR - Armature	84-3902	RIVET - Contact (5/32 Dia. x 1/4 L, Copper)
62-2400	BUSHING - D.E. (.4725 ID x .5955 OD x .735 L)	84-3908	RIVET - Field Coil to Grd. (1/8 Dia. x 1/2 L, Copper)
62-2400-1	BUSHING - D.E. (1X-Undersize, .4700 ID x .5955 OD x .735 L)	84-4101	LOCK WASHER - Field Coil to Grd. (#6 ID, Split)
62-3400	BUSHING - D.E. (.4720 ID x .6007 OD x .750 L)	84-4201	LOCK WASHER - Field Coil to Brush (#8 ID, Split)
62-3600	BUSHING - Gear Hsg. (.6865 ID x .8145 OD x .670 L)	84-4203	FLAT WASHER - Soln. Relay Term. (#8 ID)
62-3601	BUSHING - Gear Hsg. (.6885 ID x .8205 OD x .705 L)	84-4304	FLAT WASHER - Brush Holder Mtg. (#10 ID)
62-3700	BUSHING - End Frame (.7425 ID x .8780 OD x .590 L)	84-4309	LOCK WASHER - Brush Holder Mtg. (#10 ID, Split)
66-300	SOLENOID - Early Style (wo/ Mtg. Ears)	84-4400	WASHER W/ SEAL - Batt. Term. (9/32 ID, Conical)
66-302	SOLENOID (w/ Mtg. Ears, Wide Gap in Sleeve)	84-4401	LOCK WASHER - Thru Bolt (1/4 ID, Split)
66-3350	TERMINAL POST - Switch (8-32 x 3/4)	84-4402	LOCK WASHER - Batt. Term. (5/16 ID, Split)
66-3650	MOVABLE CONTACT (Cadmium Plated)	84-4410	WASHER W/ SEAL - Batt. Term. (5/16 ID, Conical)
66-3700	MOVABLE CONTACT ASSY.	84-4614	SPACER - Drive Shaft (15/32 ID)
68-300	BRUSH - Ref# C-4 (8-32 Threaded Term.)	84-4709	SPACER - Armature (3/4 ID)
68-301	BRUSH - Ref# C-5T/10 (10-32 Threaded Term.)	84-5908	COTTER PIN - Shift Lever (5/32 Dia. x 2-1/2 L)
68-301-1	BRUSH - Ref# C-5 (Unthreaded Term.)	84-7301	INSULATING WASHER - Movable Contact (#10 ID)
69-300	BRUSH HOLDER ASSY. - Early Style (wo/ Mtg. Ears)	84-7303	INSULATING WASHER - Soln. Relay Term. (#8 ID)
69-301	BRUSH HOLDER ASSY. - 1.5 HP, 1.8 HP Strs.	84-7601	BRAKE WASHER - Gear, 1.8 HP Strs. (11/16 ID x 1-1/2 OD, Leather)
69-301-1	BRUSH HOLDER ASSY. - 1.5 HP, 1.8 HP Strs.	84-7602	BRAKE WASHER - Gear, 1.5 HP Strs. (11/16 ID x 1-3/4 OD, Leather)
69-3200	BRUSH HOLDER - 1.5 HP, 1.8 HP Strs.	84-7700	BRAKE WASHER - Armature (3/4 ID x 1-1/4 OD, Fiber)
69-3700	BRUSH SPRING	84-7701	BRAKE WASHER - Armature (3/4 ID x 1-1/4 OD, Fiber)
71-3100	GASKET - Solenoid	84-7703	BRAKE WASHER - Armature (3/4 ID x 1-1/4 OD, Fiber)
71-3101	GASKET - Solenoid	84-7704	WASHER - Armature, 1.8 HP Strs. (1 ID x 1-1/2 OD, Fiber)
76-3100	COVER - Gear Hsg.	84-7705	BRAKE WASHER - Armature (3/4 ID x 1-1/4 OD, Fiber)
76-3550	BATTERY TERMINAL POST (5/16-18, Copper)	84-8903	RETAINER - Reduction Gear Shaft (.43 ID x .061 T)
76-3801	OIL WICK - End Frame	84-8905	SNAP RING - Starter Drive (.428 ID x .042 T, Ext.)
84-1104	SCREW - Field Coil to Grd. (5-40 x 1/2 L, Slotted)		
84-1216	SCREW - Field Coil to Brush (8-32 x 1/4 L, Phillips)		
84-1315	SCREW - Brush Holder Mtg. (10-24 x 1-3/4 L, Hex)		
84-1500	SCREW - Pole Shoe (3/8-16 x 5/8 L)		
84-2100	HEX NUT - Field Coil to Grd. (5-40 x 1/4 F x 3/32 T)		

# DELCO 5MT, SD200, SD250 SERIES

DELCO 5MT, SD200, SD250 SERIES



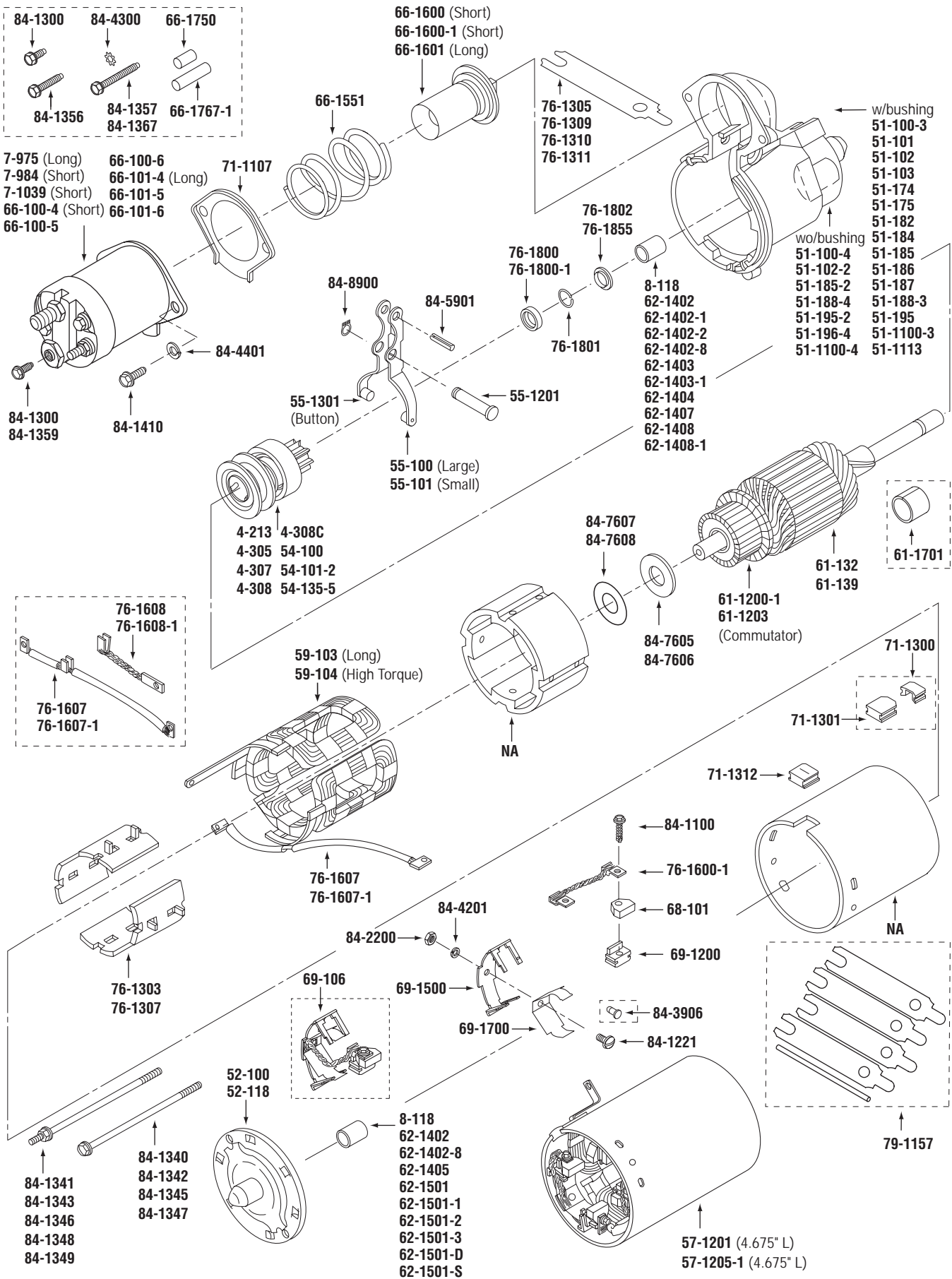
# DELCO 5MT, SD200, SD250 SERIES

WAI No.	Description	WAI No.	Description
4-213	STARTER DRIVE (9-T, CW, 3-SPL, 80mm L, Accurate)	61-1701	COLLAR - 61-139 Armature Shaft
4-305	STARTER DRIVE (9-T, CW, 3-SPL, 69mm L, Accurate)	62-1402	BUSHING - D.E., C.E. (.4730 ID x .5195 OD x .500 L)
4-307	STARTER DRIVE (9-T, CW, 3-SPL, 69mm L, Cushioned Pinion, Accurate)	62-1402-1	BUSHING - D.E., C.E. (1X-Undersize, .4705 ID x .5195 OD x .500 L)
4-308	STARTER DRIVE (9-T, CW, 3-SPL, 69mm L, Heavy Duty, Accurate)	62-1402-2	BUSHING - D.E., C.E. (2X-Undersize, .4680 ID x .5195 OD x .500 L)
4-308C	STARTER DRIVE (9-T, CW, 3-SPL, 69mm L, Cushioned Pinion, Heavy Duty, Accurate)	62-1402-8	BUSHING - D.E., C.E. (Split Type, .4730 ID x .5195 OD x .500 L)
7-975	SOLENOID - 4-Terms., Long Style (Cadmium Plated Contact, w/ Extension Kit, Accurate)	62-1403	BUSHING - D.E. (.4733 ID x .5956 OD x .500 L)
7-984	SOLENOID - 4-Terms., Short Style (Cadmium Plated Contact, w/ Extension Kit, Accurate)	62-1403-1	BUSHING - D.E. (1X-Undersize, .4708 ID x .5956 OD x .500 L)
7-1039	SOLENOID - 4-Terms., Short Style (Cadmium Plated Contact, Sealed Terminals, Accurate)	62-1404	CONVERSION BUSHING - D.E. (.4726 ID x .6265 OD x .500 L)
8-118	NEEDLE BEARING - D.E., C.E. (11mm ID x 16mm OD x 12.7mm W)	62-1405	CONVERSION BUSHING - C.E. (.4726 ID x .6265 OD x .650 L)
51-100-3	D.E. HOUSING (10mm Pad Mtg. w/ Bushing)	62-1407	CONVERSION BUSHING - D.E. (.4395 ID x .5196 OD x .500 L)
51-100-4	D.E. HOUSING (10mm Pad Mtg. wo/ Bushing)	62-1408	CONVERSION BUSHING - D.E., Replaces Ndl. Brg. (.4396 ID x .6265 OD x .500 L)
51-101	D.E. HOUSING (10mm Pad Mtg. w/ Bushing)	62-1408-1	CONVERSION BUSHING - D.E., Replaces Ndl. Brg. (1X-Undersize, .4371 ID x .6265 OD x .500 L)
51-102	D.E. HOUSING (10mm Pad Mtg. w/ Bushing)	62-1501	BUSHING - C.E. (.5642 ID x .6280 OD x .650 L)
51-102-2	D.E. HOUSING (10mm Pad Mtg. wo/ Bushing)	62-1501-1	BUSHING - C.E. (1X-Undersize, .5617 ID x .6280 OD x .650 L)
51-103	D.E. HOUSING (11mm 2-Ear Flg. Mtg. w/ Bushing)	62-1501-2	BUSHING - C.E. (2X-Undersize, .5592 ID x .6280 OD x .650 L)
51-174	D.E. HOUSING (3/8 Pad Mtg.)	62-1501-3	BUSHING - C.E. (3X-Undersize, .5567 ID x .6280 OD x .650 L)
51-175	D.E. HOUSING (3/8 Pad Mtg.)	62-1501-D	BUSHING - C.E. (Split Type, .5642 ID x .6280 OD x .650 L)
51-182	D.E. HOUSING (10mm Pad Mtg. w/ Bushing)	62-1501-S	BUSHING - C.E. (Split Type, .5642 ID x .6280 OD x .720 L)
51-184	D.E. HOUSING (10mm Pad Mtg. w/ Bushing)	66-100-4	SOLENOID - 4-Terms., Short Style (Nickel Plated Contact, Bulk 20/Case)
51-185	D.E. HOUSING (10mm Pad Mtg. w/ Bushing)	66-100-5	SOLENOID - 4-Terms., Short Style (Cadmium Plated Contact, Bulk 20/Case)
51-185-2	D.E. HOUSING (10mm Pad Mtg. wo/ Bushing)	66-100-6	SOLENOID - 4-Terms., Short Style (Cadmium Plated Contact, w/ Extension Kit)
51-186	D.E. HOUSING (11mm, M12 x 1.75 2-Ear Flg. Mtg. w/ Bushing)	66-101-4	SOLENOID - 4-Terms., Long Style (Nickel Plated Contact, Bulk 20/Case)
51-187	D.E. HOUSING (10mm Pad Mtg. w/ Bushing)	66-101-5	SOLENOID - 4-Terms., Long Style (Cadmium Plated Contact, Bulk 20/Case)
51-188-3	D.E. HOUSING (10mm Pad Mtg. w/ Bushing)	66-101-6	SOLENOID - 4-Terms., Long Style (Cadmium Plated Contact, w/ Extension Kit)
51-188-4	D.E. HOUSING (10mm Pad Mtg. wo/ Bushing)	66-1551	PLUNGER SPRING
51-195	D.E. HOUSING (M12 x 1.75, 13mm 2-Ear Flg. Mtg. w/ 8-118 Ndl. Brg.)	66-1600	PLUNGER - Solenoid (Short Type)
51-195-2	D.E. HOUSING (M12 x 1.75, 13mm 2-Ear Flg. Mtg. wo/ Ndl. Brg.)	66-1600-1	PLUNGER - Solenoid (Short Type)
51-196-4	D.E. HOUSING (10mm Pad Mtg. wo/ Ndl. Brg.)	66-1601	PLUNGER - Solenoid (Long Type)
51-1100-3	D.E. HOUSING (10mm Pad Mtg., No Shim, w/ 8-118 Ndl. Brg.)	66-1750	TERMINAL EXTENSION - Motor (5/8 L)
51-1100-4	D.E. HOUSING (10mm Pad Mtg., No Shim, wo/ Ndl. Brg.)	66-1767-1	TERMINAL EXTENSION - Motor (1-1/4 L)
51-1113	D.E. HOUSING (M12 x 1.75, 13mm 2-Ear Flg. Mtg. w/ Bushing)	68-101	BRUSH - Ref# R-116
52-100	C.E. FRAME (w/ 12.01mm ID Bushing)	69-106	BRUSH HOLDER & RACK ASSY.
52-118	C.E. FRAME (w/ 8-118 Ndl. Brg.)	69-1200	BRUSH HOLDER
54-100	STARTER DRIVE (9-T, CW, 3-SPL, 69mm L)	69-1500	BRUSH RACK
54-101-2	STARTER DRIVE (9-T, CW, 3-SPL, 80mm L)	69-1700	BRUSH SPRING
54-135-5	STARTER DRIVE (9-T, CW, 3-SPL, 69mm L, Cushioned Pinion)	71-1107	GASKET - Solenoid Mtg. (Rubber)
55-100	SHIFT LEVER (Large Type)	71-1300	GROMMET - Motor Lead, used w/ 71-1301
55-101	SHIFT LEVER (Small Type)	71-1301	GROMMET - Motor Lead, used w/ 71-1300
55-1201	SHAFT - Shift Lever	71-1312	GROMMET - Motor Lead
55-1301	BUTTON - Shift Lever	76-1303	RETAINER - Field Coil (2.35 L)
57-1201	FIELD CASE ASSY. (4.675 L)	76-1305	MOUNTING SHIM (.40mm T, Straight)
57-1205-1	FIELD CASE ASSY. (4.675 L Case, High Torque Field Coil)	76-1307	RETAINER - Field Coil (2.58 L)
59-103	FIELD COIL (8-Turn Coil, Long Type)		
59-104	FIELD COIL (6-Turn High Torque Coils, Long Type)		
61-132	ARMATURE - Used w/ Ndl. Brgs (Ref# 2214)		
61-139	ARMATURE - Used w/ Bushings		
61-1200-1	COMMUTATOR - Armature (27 Bars, 18.85mm ID x 56.39mm OD x 2.67mm Slot Width)		
61-1203	COMMUTATOR - Armature (27 Bars, 15.67mm ID x 56.52mm OD x 2.90mm Slot Width)		

DELCO 5MT, SD200, SD250 SERIES

# DELCO 5MT, SD200, SD250 SERIES (cont'd.)

DELCO 5MT, SD200, SD250 SERIES

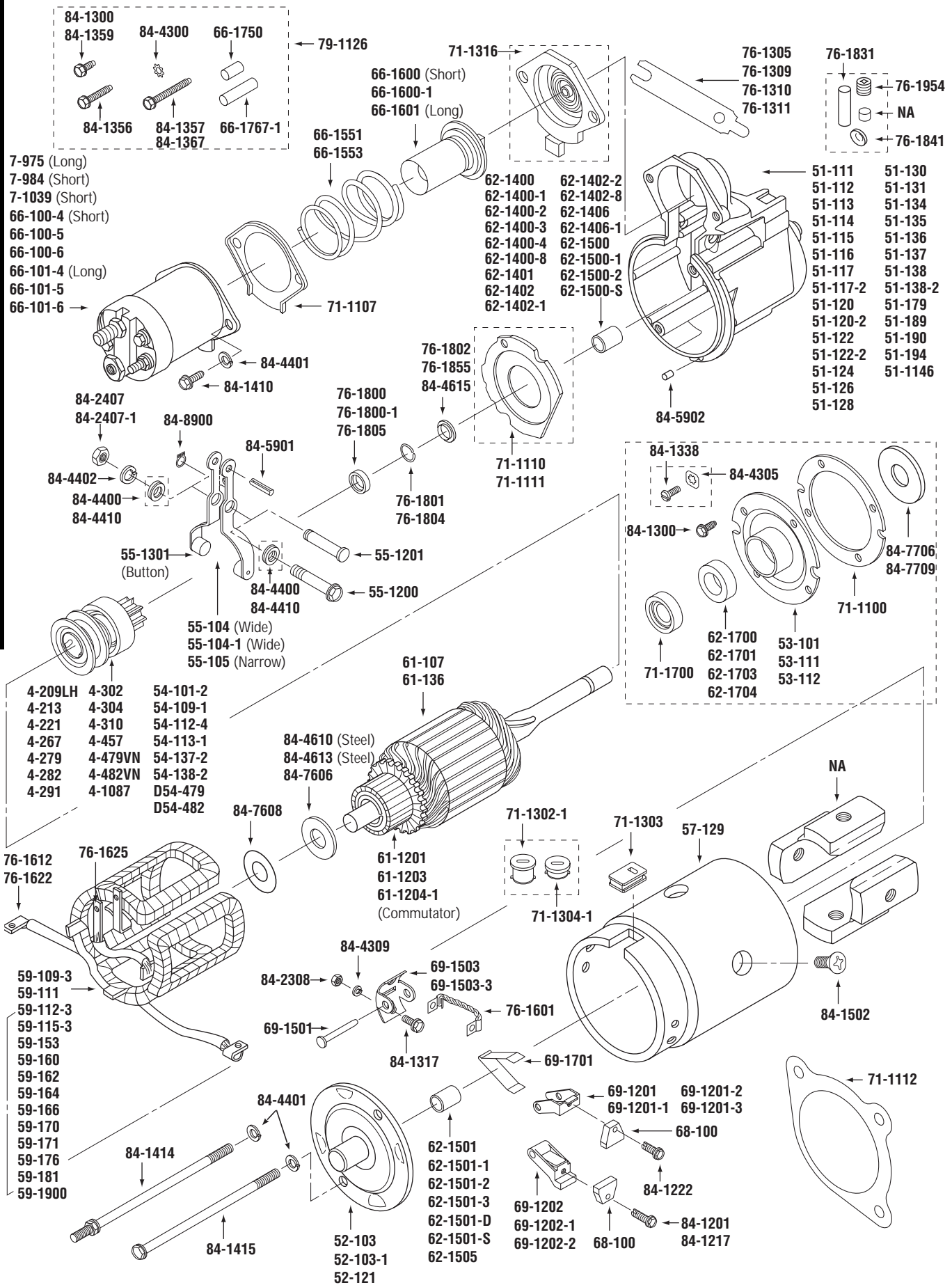


# DELCO 5MT, SD200, SD250 SERIES (cont'd.)

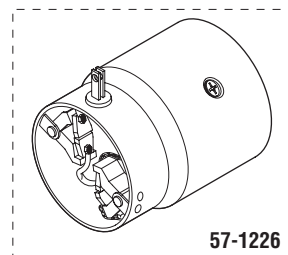
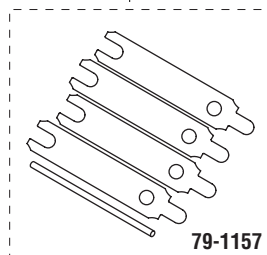
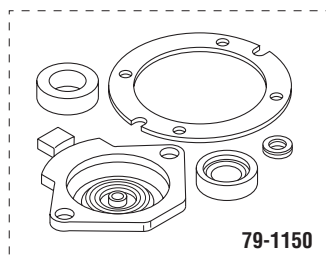
<b>WAI No.</b>	<b>Description</b>
76-1309	MOUNTING SHIM (1.0mm T, Offset)
76-1310	MOUNTING SHIM (2.0mm T, Straight)
76-1311	MOUNTING SHIM (2.0mm T, Offset)
76-1600-1	GROUND LEAD (w/ Angled Terminals)
76-1607	REPAIR LEAD - Field Coil to Brush (w/ Clip)
76-1607-1	REPAIR LEAD - Field Coil to Brush (wo/ Clip)
76-1608	REPAIR LEAD - Field Coil Motor Lead (2-3/4 OAL)
76-1608-1	REPAIR LEAD - Field Coil Motor Lead (2" OAL)
76-1800	STOP COLLAR (12mm ID x 17.3mm OD)
76-1800-1	STOP COLLAR (12mm ID, Mfd. By OE Supplier)
76-1801	RETAINING RING - Stop Collar (7/16 ID)
76-1802	THRUST COLLAR - D.E. (12mm ID x 17.5mm OD)
76-1855	THRUST COLLAR - D.E. (12mm ID x 19mm OD)
79-1157	MOUNTING SHIM KIT (76-1305 Shims, Gauge Pin & Instructions)
84-1100	SCREW - Brush (6-19 x 3/4 L, Hex, Thd. Cut.)
84-1221	SCREW - Brush Rack (8-32 x 5/16 L, Phillips)
84-1300	SCREW - Field Coil Term. to Soln. (10-32 x 1/2 L, Hex)
84-1340	THRU BOLT (10-24 x 4-3/4 L)
84-1341	THRU BOLT (10-24 x 4-3/4 L w/ 10-24 x 1/2 L Ext.)
84-1342	THRU BOLT (10-24 x 5-1/4 L)
84-1343	THRU BOLT (10-24 x 5-1/4 L w/ 10-24 x 1/2 L Ext.)
84-1345	THRU BOLT (10-24 x 5-7/8 L)
84-1346	THRU BOLT (10-24 x 5-7/8 L w/ 10-24 x 1/2 L Ext.)
84-1347	THRU BOLT (10-24 x 6-1/16 L)
84-1348	THRU BOLT (10-24 x 6-1/16 L w/ 10-24 x 1/2 L Ext.)
84-1349	THRU BOLT (10-24 x 5-9/16 L w/ 10-24 x 1/2 L Ext.)
84-1356	SCREW - Soln. Term. Ext. (10-32 x 1-1/8 L, Hex)
84-1357	SCREW - Soln. Term. Ext. (10-32 x 1-3/4 L, Hex, Serrated Flange)
84-1359	SCREW - Field Coil Term. to Soln. (10-32 x 7/16 L, Slotted Hex, Thd. Cut.)
84-1367	SCREW - Soln. Term. Ext. (10-32 x 1-13/16 L, Hex, Serrated Flange)
84-1410	SCREW - Soln. Mtg. (1/4-20 x 5/8 L, Hex)
84-2200	HEX NUT - Brush Rack (8-32 x 11/32 F x 1/8 T)
84-3906	RIVET - Brush Rack & Spring (5/32 Dia. x 5/16 L)
84-4201	LOCK WASHER - Brush Rack (#8 ID, Split)
84-4300	LOCK WASHER - Term. Ext. (#10 ID, Ext. Tooth)
84-4401	LOCK WASHER - Soln. Mtg. (1/4 ID, Split)
84-5901	SPLIT ROLL PIN - Plunger to Shift Lever (3/16 OD x 1 L)
84-7605	BRAKE WASHER - C.E. (1/2 ID x 1-5/16 OD, Leather)
84-7606	BRAKE WASHER - C.E. (9/16 ID x 1-5/16 OD, Leather)
84-7607	WASHER - C.E. (1/2 ID x 1-5/16 OD, Fiber)
84-7608	WASHER - C.E. (9/16 ID x 1-5/16 OD, Fiber)
84-8900	SNAP RING - Shift Lever Shaft (.281 ID x .025 T, Ext.)

# DELCO 10MT, SD300 SERIES

DELCO 10MT, SD300 SERIES



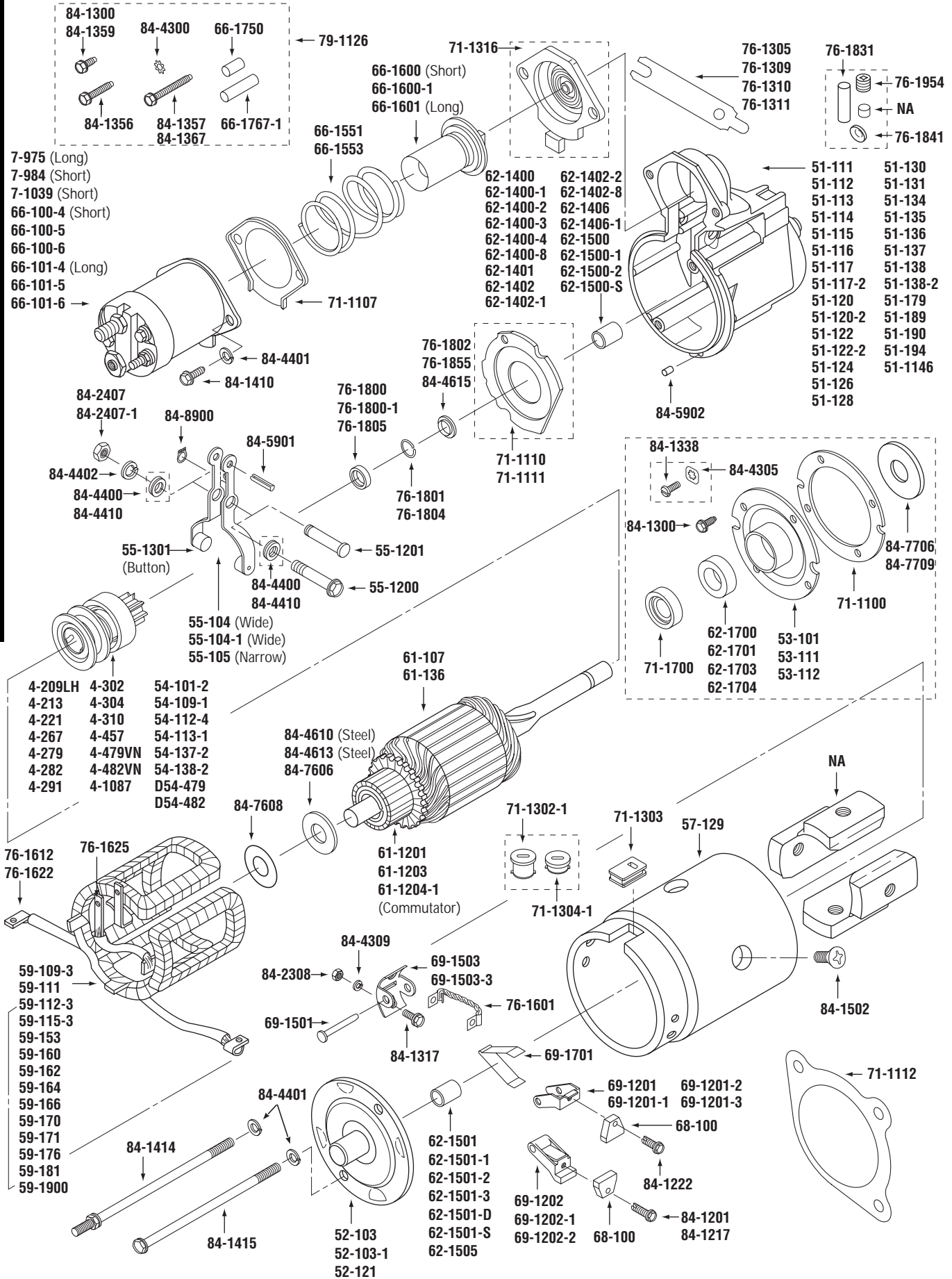
WAI No.	Description	WAI No.	Description
4-209LH	STARTER DRIVE (9-T, CCW, 3/6-SPL, 95mm L, Accurate)	51-1146	D.E. HOUSING (Cast Iron, 2-Ear Flg. Mtg.)
4-213	STARTER DRIVE (9-T, CW, 3-SPL, 80mm L, Accurate)	52-103	C.E. FRAME (4-1/8 OD, Stamped Steel)
4-221	STARTER DRIVE (9-T, CW, 3-SPL, 97mm L, Accurate)	52-103-1	C.E. FRAME (4-1/8 OD, Zinc Yellow Dichromate)
4-267	STARTER DRIVE (9-T, CCW, 3-SPL, 96mm L, Accurate)	52-121	C.E. FRAME (4-3/16 OD, Cast Iron)
4-279	STARTER DRIVE (10-T, CW, 3-SPL, 97mm L, Spragg Clutch Type, Accurate)	53-101	CENTER SUPPORT PLATE - Wet Clutch (3-7/8 OD)
4-282	STARTER DRIVE (12-T, CW, 3-SPL, 97mm L, Spragg Clutch Type, Accurate)	53-111	CENTER SUPPORT PLATE - Marine (3-7/8 OD)
4-291	STARTER DRIVE (10-T, CW, 3-SPL, 97mm L, Sgl. Roller Clutch Type, Accurate)	53-112	CENTER SUPPORT PLATE (3" OD)
4-302	STARTER DRIVE (10-T, CW, 3-SPL, 97mm L, Spragg Clutch Type, Accurate)	54-101-2	STARTER DRIVE (9-T, CW, 3-SPL, 80mm L)
4-304	STARTER DRIVE (9-T, CW, 3-SPL, 75mm L, Accurate)	54-109-1	STARTER DRIVE (9-T, CW, 3-SPL, 97mm L, Dbl. Roller Clutch Type)
4-310	STARTER DRIVE (10-T, CW, 3-SPL, 97mm L, Sgl. Roller Clutch Type, Accurate)	54-112-4	STARTER DRIVE (12-T, CW, 3-SPL, 97mm L, Dbl. Roller Clutch Type)
4-457	STARTER DRIVE (9-T, CW, 3-SPL, 97mm L, Dbl. Roller Clutch Type, Accurate)	54-113-1	STARTER DRIVE (10-T, CW, 3-SPL, 97mm L, Dbl. Roller Clutch Type)
4-479VN	STARTER DRIVE (10-T, CW, 3-SPL, 97mm L, Ratchet Clutch Type, Accurate)	54-137-2	STARTER DRIVE (10-T, CW, 3-SPL, 97mm L, Sgl. Roller Clutch Type)
4-482VN	STARTER DRIVE (12-T, CW, 3-SPL, 97mm L, Ratchet Clutch Type, Accurate)	54-138-2	STARTER DRIVE (10-T, CW, 3-SPL, 97mm L, Sgl. Roller Clutch Type)
4-1087	STARTER DRIVE (13-T, CCW, 3-SPL, 96mm L, Accurate)	55-104	SHIFT LEVER (Wide)
7-975	SOLENOID - 4-Terms., Long Style (Cadmium Plated Contact, w/ Extension Kit, Accurate)	55-104-1	SHIFT LEVER (Wide)
7-984	SOLENOID - 4-Terms., Short Style (Cadmium Plated Contact, w/ Extension Kit, Accurate)	55-105	SHIFT LEVER (Narrow)
7-1039	SOLENOID - 4-Terms., Short Style (Cadmium Plated Contact, Sealed Terminals, Accurate)	55-1200	SHAFT - Shift Lever (5/16-18)
51-111	D.E. HOUSING (Cast Iron, 3/8-16, 3/8, 1/2 3-Ear Flg. Mtg.)	55-1201	SHAFT - Shift Lever
51-112	D.E. HOUSING (Cast Iron, .42 3-Ear Flg. Mtg.)	55-1301	BUTTON - Shift Lever
51-113	D.E. HOUSING (Cast Iron, .49 2-Ear Flg. Mtg.)	57-129	FIELD CASE
51-114	D.E. HOUSING - Wet Clutch (Cast Iron, .42 3-Ear Flg. Mtg.)	57-1226	FIELD CASE ASSY. (12V, CW, High Torque)
51-115	D.E. HOUSING - Wet Clutch (Cast Iron, .42 3-Ear Flg. Mtg.)	59-109-3	FIELD COIL - Converts Strs. w/ Low Torque Armature to Hi-Torque
51-116	D.E. HOUSING (Cast Iron, .42 3-Ear Flg. Mtg.)	59-111	FIELD COIL - 12V, CW Rotation, Low Torque
51-117	D.E. HOUSING (Alum., 10mm Pad Mtg., w/ Bushing)	59-112-3	FIELD COIL - 12V, CW, High Torque
51-117-2	D.E. HOUSING (Alum., 10mm Pad Mtg., wo/ Bushing)	59-115-3	FIELD COIL - 12V, CW Rotation
51-120	D.E. HOUSING (Aluminum, 3/8 Pad Mtg., w/ Bushing)	59-153	FIELD COIL - 12V, CCW Rotation
51-120-2	D.E. HOUSING (Aluminum, 3/8 Pad Mtg., wo/ Bushing)	59-160	FIELD COIL - 12V, CW Rotation
51-122	D.E. HOUSING (Aluminum, 3/8 Pad Mtg., w/ Bushing)	59-162	FIELD COIL - 6V, CW Rotation
51-122-2	D.E. HOUSING (Aluminum, 3/8 Pad Mtg., wo/ Bushing)	59-164	FIELD COIL - 12V, CCW Rotation
51-124	D.E. HOUSING (Cast Iron, .49 2-Ear Flg. Mtg.)	59-166	FIELD COIL - 12V, CW Rotation
51-126	D.E. HOUSING - Wet Clutch (Cast Iron, .42 3-Ear Flg. Mtg.)	59-170	FIELD COIL - 12V, CW Rotation
51-128	D.E. HOUSING (Cast Iron, 3/8 Pad Mtg.)	59-171	FIELD COIL - 12V, CCW Rotation, High Torque
51-130	D.E. HOUSING (Cast Iron, .42, 3/8-16 3-Ear Flg. Mtg.)	59-176	FIELD COIL - 12V, CCW Rotation
51-131	D.E. HOUSING (Cast Iron, .42, 3/8-16 3-Ear Flg. Mtg.)	59-181	FIELD COIL - 6V, CW Rotation
51-134	D.E. HOUSING (Cast Iron, .49 2-Ear Flg. Mtg.)	59-1900	SHUNT COIL - 12V
51-135	D.E. HOUSING (Cast Iron, .49 2-Ear Flg. Mtg.)	61-107	ARMATURE (High Torque, Ref# 2280)
51-136	D.E. HOUSING (Cast Iron, 3/8, .42, 3/8-16 3-Ear Flg. Mtg.)	61-136	ARMATURE - Wet Clutch Strs (Low Torque, Ref# 1867)
51-137	D.E. HOUSING - Wet Clutch (Cast Iron, .42 3-Ear Flg. Mtg.)	61-1201	COMMUTATOR - Armature (23 Bars, 15.75mm ID x 60.33mm OD x 2.67mm Slot Width)
51-138	D.E. HOUSING (Alum., 10mm Pad Mtg., w/ Bushing)	61-1203	COMMUTATOR - Armature (27 Bars, 15.67mm ID x 56.52mm OD x 2.90mm Slot Width)
51-138-2	D.E. HOUSING (Alum., 10mm Pad Mtg., wo/ Bushing)	61-1204-1	COMMUTATOR - Armature (23 Bars, 15.75mm ID x 60.33mm OD x 2.92mm Slot Width)
51-179	D.E. HOUSING (Cast Iron, .49 3-Ear Flg. Mtg.)	62-1400	BUSHING - D.E. (.4730 ID x .5195 OD x .720 L)
51-189	D.E. HOUSING - Wet Clutch (Cast Iron, .42 3-Ear Flg. Mtg.)	62-1400-1	BUSHING - D.E. (1X-Undsz, .4702 ID x .5195 OD x .720 L)
51-190	D.E. HOUSING (Cast Iron, .42 3-Ear Flg. Mtg.)	62-1400-2	BUSHING - D.E. (2X-Undsz, .4680 ID x .5195 OD x .720 L)
51-194	D.E. HOUSING (Cast Iron, .49 2-Ear Flg. Mtg.)	62-1400-3	BUSHING - D.E. (3X-Undsz, .4654 ID x .5195 OD x .720 L)
		62-1400-4	BUSHING - D.E. (4X Undsz, .4630 ID x .5195 OD x .720 L)
		62-1400-8	BUSHING - D.E. (Split Type, .4730 ID x .5195 OD x .720 L)





# DELCO 10MT, SD300 SERIES (cont'd.)

DELCO 10MT, SD300 SERIES

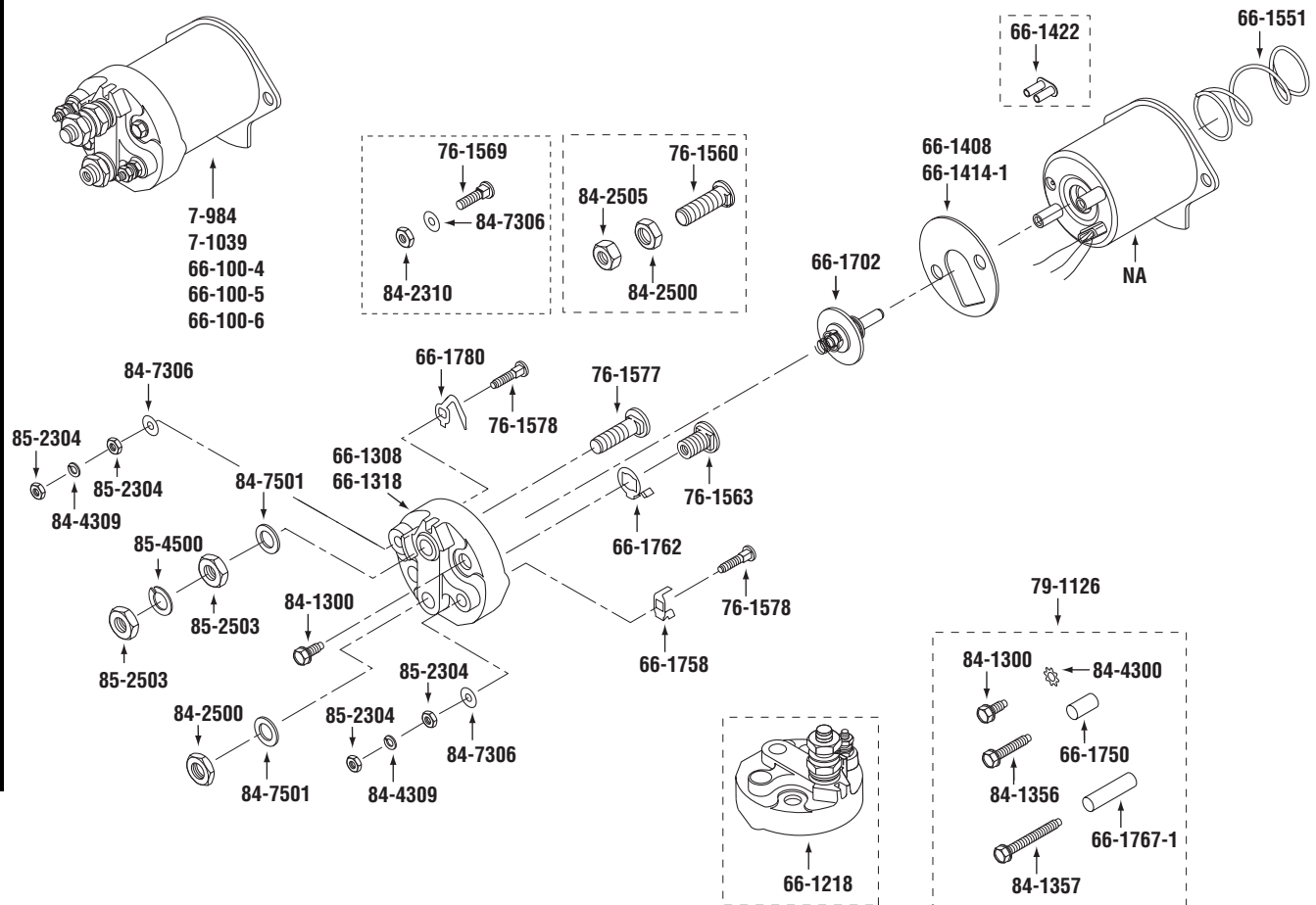


# DELCO 10MT, SD300 SERIES (cont'd.)

WAI No.	Description	WAI No.	Description
62-1401	REPAIR BUSHING - D.E. (.4718 ID x .6260 OD x .750 L)	76-1305	MOUNTING SHIM (.40mm T, Straight)
62-1402	BUSHING - D.E. (.4730 ID x .5195 OD x .500 L)	76-1309	MOUNTING SHIM (1.0mm T, Offset)
62-1402-1	BUSHING - D.E. (1X-Undsz, .4705 ID x .5195 OD x .500 L)	76-1310	MOUNTING SHIM (2.0mm T, Straight)
62-1402-2	BUSHING - D.E. (2X-Undsz, .4680 ID x .5195 OD x .500 L)	76-1311	MOUNTING SHIM (2.0mm T, Offset)
62-1402-8	BUSHING - D.E. (Split Type, .4730 ID x .5195 OD x .500 L)	76-1601	GROUND LEAD - Brush
62-1406	BUSHING - D.E. (.5010 ID x .6260 OD x .775 L)	76-1612	REPAIR LEAD - Field Coil to Brush (w/ Clip)
62-1406-1	BUSHING - D.E. (1X-Undsz, .4985 ID x .6260 OD x .775 L)	76-1622	REPAIR LEAD - Field Coil to Brush
62-1500	BUSHING - D.E. (.5033 ID x .5638 OD x .780 L)	76-1625	REPAIR LEAD - Field Coil Motor Lead
62-1500-1	BUSHING - D.E. (1X-Undsz, .5008 ID x .5638 OD x .780 L)	76-1800	STOP COLLAR (12mm ID x 17.3mm OD)
62-1500-2	BUSHING - D.E. (2X-Undsz, .4983 ID x .5638 OD x .780 L)	76-1800-1	STOP COLLAR (12mm ID, Mfd. By OE Supplier)
62-1500-S	BUSHING - D.E. (Split Type, .5033 ID x .5638 OD x .620 L)	76-1801	RETAINING RING - Stop Collar (7/16 ID)
62-1501	BUSHING - C.E. (.5642 ID x .6280 OD x .650 L)	76-1802	THRUST COLLAR - D.E. (12mm ID x 17.5mm OD)
62-1501-1	BUSHING - C.E. (1X-Undsz, .5617 ID x .6280 OD x .650 L)	76-1804	RETAINING RING - Stop Collar (1/2 ID)
62-1501-2	BUSHING - C.E. (2X-Undsz, .5592 ID x .6280 OD x .650 L)	76-1805	STOP COLLAR (14mm ID x 20mm OD)
62-1501-3	BUSHING - C.E. (3X-Undsz, .5567 ID x .6280 OD x .650 L)	76-1831	OIL WICK - D.E. Hsg. (5/16 OD x 2-3/8 L)
62-1501-D	BUSHING - C.E. (Split Type, .5642 ID x .6280 OD x .650 L)	76-1841	EXPANSION PLUG (5/8 Dia.)
62-1501-S	BUSHING - C.E. (Split Type, .5642 ID x .6280 OD x .720 L)	76-1855	THRUST COLLAR - D.E. (12mm ID x 19mm OD)
62-1505	BUSHING - C.E. (Prefit, .5642 ID x .6895 OD x .750 L)	76-1954	PIPE PLUG - Oil Reservoir, D.E.
62-1700	BUSHING - C.S. (.7520 ID x 1.2550 OD x .395 L)	79-1126	TERMINAL EXTENSION KIT - Motor
62-1701	BUSHING - C.S. (.7525 ID x .8140 OD x .722 L)	79-1150	REPAIR KIT - Wet Clutch Strs.
62-1703	BUSHING - C.S. (.7530 ID x .8795 OD x .720 L)	79-1157	MOUNTING SHIM KIT (76-1305 Shims, Gauge Pin)
62-1704	BUSHING - C.S. (.7560 ID x .8165 OD x .375 L)	84-1201	SCREW - Field Brush (8-18 x 5/8 L, Slotted Hex, Thd. Cut.)
66-100-4	SOLENOID - 4-Terms., Short Style (Nickel Plated Contact, Bulk 20/Case)	84-1217	SCREW - Field Brush (8-32 x 3/4 L, Hex, Thd. Cut.)
66-100-5	SOLENOID - 4-Terms., Short Style (Cadmium Plated Contact, Bulk 20/Case)	84-1222	SCREW - Grd. Brush (8-32 x 5/8 L, Hex, Thd. Cut.)
66-100-6	SOLENOID - 4-Terms., Short Style (Cadmium Plated Contact, w/ Extension Kit)	84-1300	SCREW - Field Coil Term. to Soln., C.S. (10-32 x 1/2 L, Hex)
66-101-4	SOLENOID - 4-Terms., Long Style (Nickel Plated Contact, Bulk 20/Case)	84-1317	SCREW - Brush Support (10-24 x 1/2 L, Hex, Thd. Form.)
66-101-5	SOLENOID - 4-Terms., Long Style (Cadmium Plated Contact, Bulk 20/Case)	84-1338	SCREW - C.S. (10-32 x 1/2 L, Slotted Pan, Thd. Cut.)
66-101-6	SOLENOID - 4-Terms., Long Style (Cadmium Plated Contact, w/ Extension Kit)	84-1356	SCREW - Soln Term. Ext. (10-32 x 1-1/8 L, Hex)
66-1551	PLUNGER SPRING	84-1357	SCREW - Soln. Term. Ext. (10-32 x 1-3/4 L, Hex, Serrated Flange)
66-1553	PLUNGER SPRING (Long Heavy Duty)	84-1359	SCREW - Field Coil Term. to Soln. (10-32 x 7/16 L, Slotted Hex, Thd. Cut.)
66-1600	PLUNGER - Solenoid (Short Type)	84-1367	SCREW - Soln. Term. Ext. (10-32 x 1-13/16 L, Hex, Serrated Flange)
66-1600-1	PLUNGER - Solenoid (Short Type)	84-1410	SCREW - Soln. Mtg. (1/4-20 x 5/8 L, Hex)
66-1601	PLUNGER - Solenoid (Long Type)	84-1414	THRU BOLT (1/4-20 x 5-7/8 L w/ 1/4-20 x 3/4 L Ext.)
66-1750	TERMINAL EXTENSION - Motor (5/8 L)	84-1415	THRU BOLT (1/4-20 x 5-15/16 L)
66-1767-1	TERMINAL EXTENSION - Motor (1-1/4 L)	84-1502	SCREW - Pole Shoe (3/8-24 x 5/8 L, Phillips)
68-100	BRUSH - Ref# R-60	84-2308	HEX NUT - Brush Support (10-24 x 3/8 F x 1/8 T)
69-1201	BRUSH HOLDER - Grd. (Late Style w/ Round Pivot Arm)	84-2407	HEX NUT - Shift Lever Shaft (5/16-18 x 1/2 F x 3/16 T, Zinc Plated)
69-1201-1	BRUSH HOLDER - Grd. (Early Style w/ Pointed Pivot Arm)	84-2407-1	HEX NUT - Shift Lever Shaft (5/16-18 x 1/2 F x 1/4 T, Zinc Plated)
69-1201-2	BRUSH HOLDER - Grd. (Universal Style w/ Short Pivot Arm)	84-4300	LOCK WASHER - Term. Ext. (#10 ID, Ext. Tooth)
69-1201-3	BRUSH HOLDER - Grd. (Late Style w/ Round Pivot Arm)	84-4305	LOCK WASHER - C.S. (#10 ID, Sq. Conical)
69-1202	BRUSH HOLDER - Insul. (8-32 Threaded, Phenolic)	84-4309	LOCK WASHER - Brush Support (#10 ID, Split)
69-1202-1	BRUSH HOLDER - Insul. (Unthreaded, Glass-Filled Polyester)	84-4400	WASHER W/ SEAL - Shift Lever Shaft (9/32 ID, Conical)
69-1202-2	BRUSH HOLDER - Insul. (Unthreaded, Phenolic)	84-4401	LOCK WASHER - Soln. Mtg. (1/4 ID, Split)
69-1501	PIN - Brush Holder	84-4402	LOCK WASHER - Shift Lever Shaft (5/16 ID, Split)
69-1503	SUPPORT - Brush Holder	84-4410	WASHER W/ SEAL - Shift Lever Shaft (5/16 ID, Conical)
69-1503-3	SUPPORT - Brush Holder	84-4610	THRUST WASHER - C.E. (9/16 ID x 1 OD, Steel)
69-1701	BRUSH SPRING	84-4613	THRUST WASHER - C.E. (9/16 ID x 1-3/16 OD, Steel)
71-1100	GASKET - C.S. Frame, 53-101	84-4615	THRUST WASHER - D.E. (1/2 ID x 3/4 OD, Steel)
71-1107	GASKET - Solenoid Mtg. (Rubber)	84-5901	SPLIT ROLL PIN - Plunger to Shift Lever (3/16 OD x 1 L)
71-1110	SEAL - D.E. Hsg.	84-5902	SPLIT ROLL PIN - D.E. Hsg. (3/16 OD x 3/8 L)
71-1111	SEAL - D.E. Hsg. (Marine)	84-7606	BRAKE WASHER - C.E. (9/16 ID x 1-5/16 OD, Leather)
71-1112	GASKET - Starter Mounting	84-7608	WASHER - C.E. (9/16 ID x 1-5/16 OD, Fiber)
71-1302-1	GROMMET - Motor Lead (Long Round)	84-7706	BRAKE WASHER - C.S. (3/4 ID x 2 OD, Fiber)
71-1303	GROMMET - Motor Lead (Long Slotted)	84-7709	BRAKE WASHER - C.S. (13/16 ID x 2 OD, Fiber)
71-1304-1	GROMMET - Motor Lead (Short Round)	84-8900	SNAP RING - Shift Lever Shaft (.281 ID x .025 T, Ext.)
71-1316	BOOT - Solenoid Plunger	D54-479	STARTER DRIVE (10-T, CW, 3-SPL, 97mm L, Dbl. Roller Clutch Type, Accurate)
71-1700	OIL SEAL - C.S. Frame, 53-101	D54-482	STARTER DRIVE (12-T, CW, 3-SPL, 97mm L, Dbl. Roller Clutch, Accurate)

# DELCO 5MT, SD200, SD250 SOLENOID (SHORT CASE)

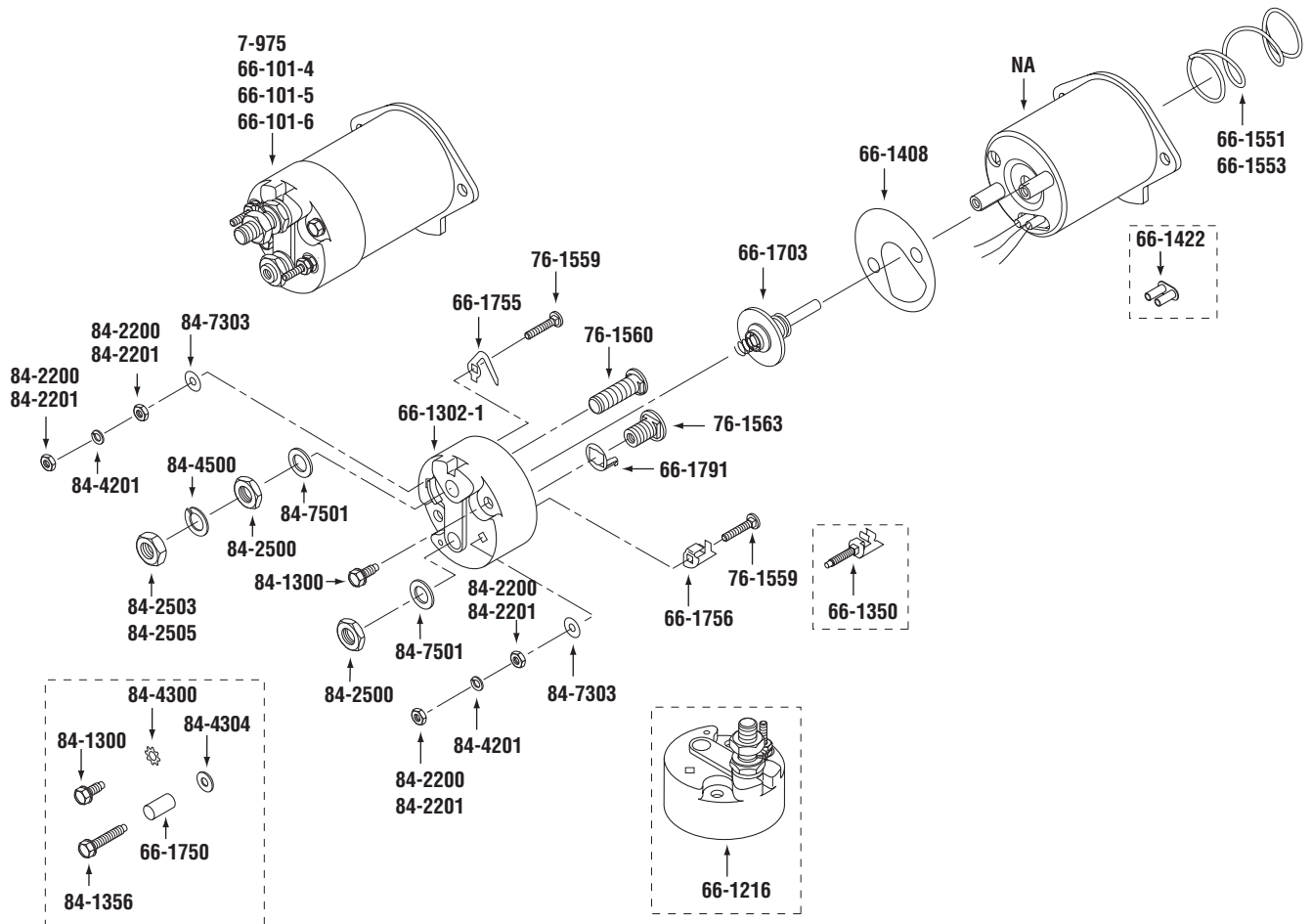
DELCO 5MT SOLENOID (SHORT CASE)



WAI No.	Description
7-984	SOLENOID - 4-Terms., Short Style (Cadmium Plated Contact, w/ Extension Kit, Accurate)
7-1039	SOLENOID - 4-Terms., Short Style (Cadmium Plated Contact, Sealed Terminals, Accurate)
66-100-4	SOLENOID - 4-Terms., Short Style (Nickel Plated Contact, Bulk 20/Case)
66-100-5	SOLENOID - 4-Terms., Short Style (Cadmium Plated Contact, Bulk 20/Case)
66-100-6	SOLENOID - 4-Terms., Short Style (Cadmium Plated Contact, w/ Extension Kit)
66-1218	SOLENOID CAP ASSY. (4-Terms., w/ Batt. & Relay Terms.)
66-1308	SOLENOID CAP (4-Terms.)
66-1318	SOLENOID CAP (3-Terms.)
66-1408	GASKET - Cap (Cork)
66-1414-1	GASKET - Cap (Rubber Coated Steel)
66-1422	INSULATOR - Coil Assy. (2-Hole)
66-1551	PLUNGER SPRING
66-1702	MOVABLE CONTACT ASSY.
66-1750	TERMINAL EXTENSION - Motor (5/8 L)
66-1758	CONNECTOR - Switch Term.
66-1762	CONNECTOR - Motor Term. (3/8 Square Hole)
66-1767-1	TERMINAL EXTENSION - Motor (1-1/4 L)

WAI No.	Description
66-1780	CONTACT FINGER - Relay Term.
76-1560	STATIONARY CONTACT - Battery (3/8-16 x 1-3/16 L)
76-1563	STATIONARY CONTACT - Motor (3/8-16 x 5/8 L, w/ 10-32 Int. Thd.)
76-1569	TERMINAL POST - Relay, Switch (10-32 x 3/4 L)
76-1577	STATIONARY CONTACT - Battery (M10 x 1.5 x 30mm L)
76-1578	TERMINAL POST - Relay, Switch (M5 x 0.8 x 21mm L)
79-1126	TERMINAL EXTENSION KIT - Motor
84-1300	SCREW - Cap (10-32 x 1/2 L, Hex)
84-1356	SCREW - Term. Ext. (10-32 x 1-1/8 L, Hex)
84-1357	SCREW - Term. Ext. (10-32 x 1-3/4 L, Hex, Serrated Flange)
84-2310	HEX NUT - Relay, Switch Terms. (10-32 x 3/8 F x 1/8 T)
84-2500	HEX NUT - Batt., Motor Terms. (3/8-16 x 5/8 F x 5/32 T)
84-2505	HEX NUT - Batt. Term. (3/8-16 x 9/16 F x 7/32 T)
84-4300	LOCK WASHER - Term. Ext. (#10 ID, Ext. Tooth)
84-4309	LOCK WASHER - Relay, Switch Terms. (#10 ID, Split)
84-7306	INSULATING WASHER - Relay, Switch Terms. (#10 ID)
84-7501	INSULATING WASHER - Batt., Motor Terms. (3/8 ID)
85-2304	HEX NUT - Relay, Switch Terms. (M5 x 0.8 x 8mm F x 3.8mm T)
85-2503	HEX NUT - Batt. Term. (M10 x 1.5 x 17mm F x 5mm T)
85-4500	LOCK WASHER - Batt. Term. (10mm ID, Split)

# DELCO 10MT, SD300 SOLENOID (LONG CASE)



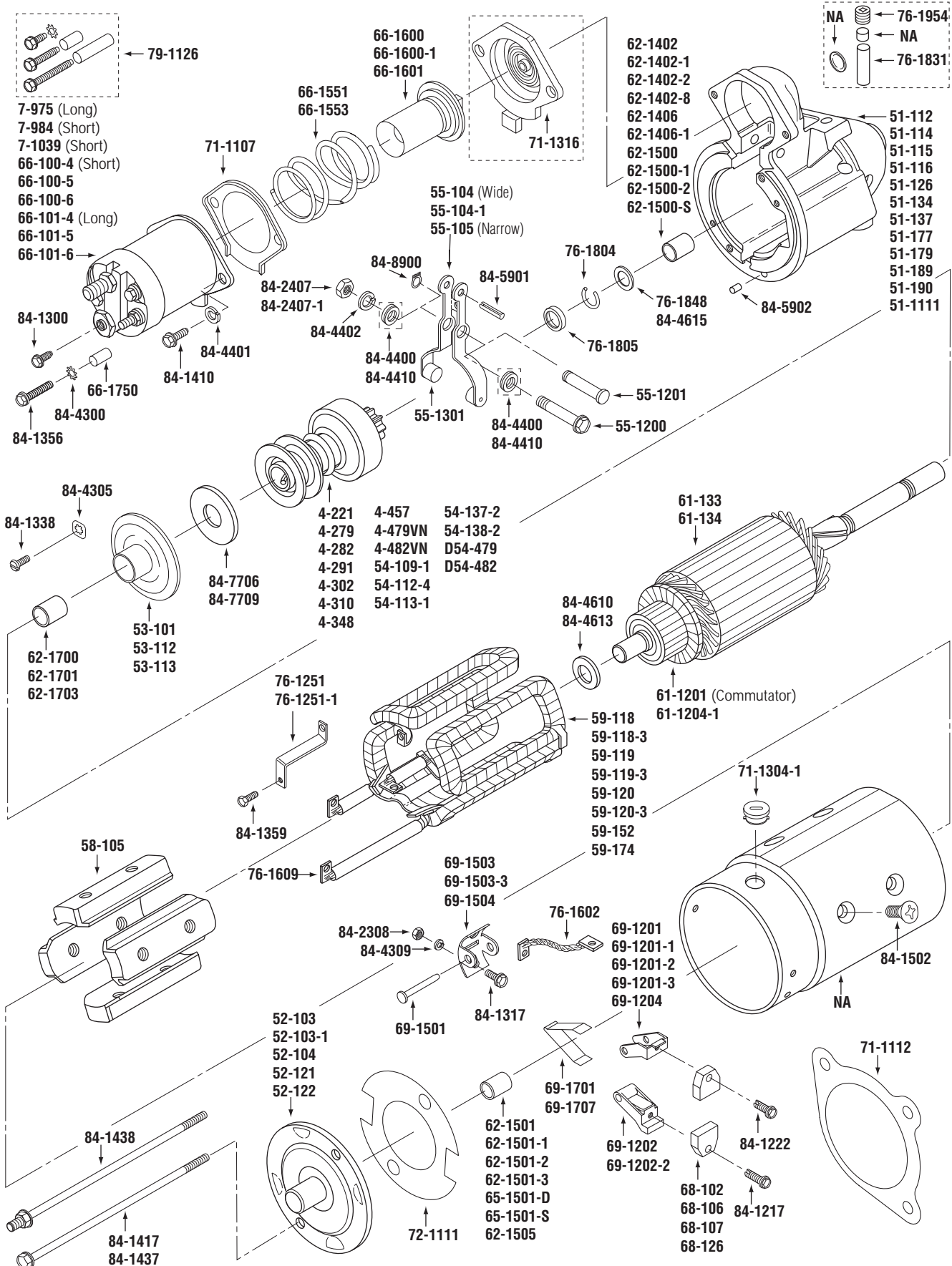
WAI No.	Description
7-975	SOLENOID - 4-Terms., Long Style (Cadmium Plated Contact, w/ Extension Kit, Accurate)
66-101-4	SOLENOID - 4-Terms., Long Style (Nickel Plated Contact, Bulk 20/Case)
66-101-5	SOLENOID - 4-Terms., Long Style (Cadmium Plated Contact, Bulk 20/Case)
66-101-6	SOLENOID - 4-Terms., Long Style (Cadmium Plated Contact, w/ Extension Kit)
66-1216	SOLENOID CAP ASSY. - 4-Terms. (w/ Batt. & Relay Terms.)
66-1302-1	SOLENOID CAP (4-Terms.)
66-1350	TERMINAL & CONNECTOR - Switch (8-32)
66-1408	GASKET - Cap (Cork)
66-1422	INSULATOR - Coil Assy. (2-Hole)
66-1551	PLUNGER SPRING
66-1553	PLUNGER SPRING (Long Heavy Duty)
66-1703	MOVABLE CONTACT ASSY.
66-1750	TERMINAL EXTENSION - Motor (5/8 L)
66-1755	CONTACT FINGER - Relay Term.
66-1756	CONNECTOR - Switch Term.

WAI No.	Description
66-1791	CONNECTOR - Motor Term.
76-1559	TERMINAL POST - Relay, Switch (8-32 x 7/8 L)
76-1560	STATIONARY CONTACT - Battery (3/8-16 x 1-3/16 L)
76-1563	STATIONARY CONTACT - Motor (3/8-16 x 5/8 L, w/ 10-32 Int. Thd.)
84-1300	SCREW - Cap (10-32 x 1/2 L, Hex)
84-1356	SCREW - Term. Ext. (10-32 x 1-1/8 L, Hex)
84-2200	HEX NUT - Relay, Switch Terms. (8-32 x 11/32 F x 1/8 T)
84-2201	HEX NUT - Relay, Switch Terms. (8-32 x 11/32 F x 1/8 T, w/ Att. Washer)
84-2500	HEX NUT - Batt., Motor Terms. (3/8-16 x 5/8 F x 5/32 T)
84-2503	HEX NUT - Batt. Term. (3/8-16 x 5/8 F x 1/4 T)
84-2505	HEX NUT - Batt. Term. (3/8-16 x 9/16 F x 7/32 T)
84-4201	LOCK WASHER - Relay, Switch Terms. (#8 ID, Split)
84-4300	LOCK WASHER - Term. Ext. (#10 ID, Ext. Tooth)
84-4304	FLAT WASHER - Term. Ext. (#10 ID)
84-4500	LOCK WASHER - Batt. Term. (3/8 ID, Split)
84-7303	INSULATING WASHER - Relay, Switch Terms. (#8 ID)
84-7501	INSULATING WASHER - Batt., Motor Terms. (3/8 ID)

DELCO 10MT SOLENOID (LONG CASE)

# DELCO 20MT, 22MT, 25MT, 27MT SERIES

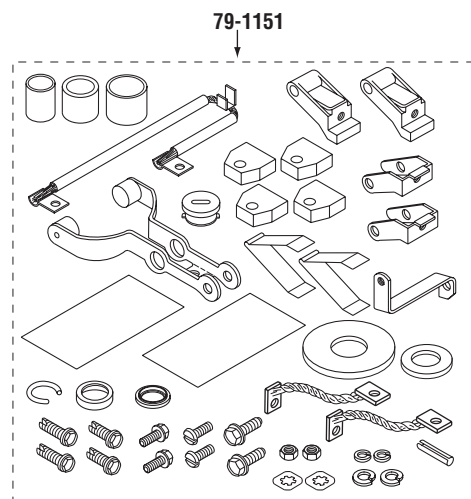
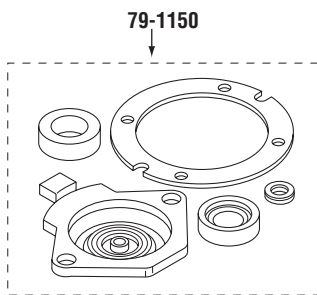
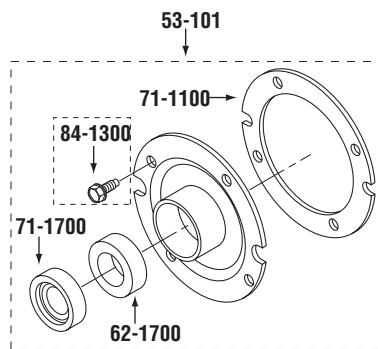
DELCO 20MT, 22MT, 25MT, 27MT SERIES



# DELCO 20MT, 22MT, 25MT, 27MT SERIES

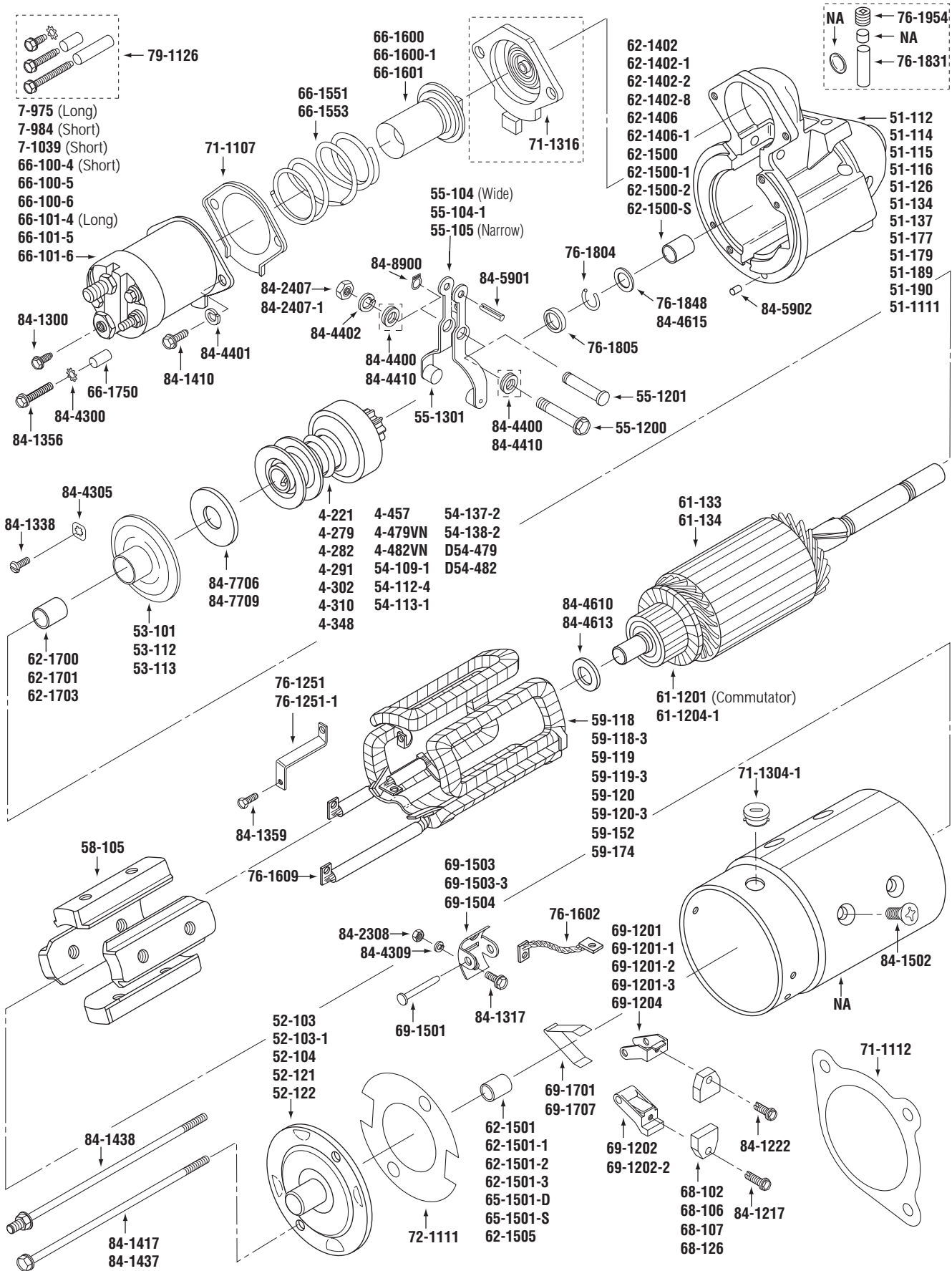
**DELCO 20MT, 22MT, 25MT, 27MT SERIES**

WAI No.	Description	WAI No.	Description
4-221	STARTER DRIVE (9-T, CW, 3-SPL, 97mm L, Accurate)	52-122	C.E. FRAME (4-1/2 OD, Cast Iron)
4-279	STARTER DRIVE (10-T, CW, 3-SPL, 97mm L, Spragg Clutch Type, Accurate)	53-101	CENTER SUPPORT PLATE - Wet Clutch (3-7/8 OD)
4-282	STARTER DRIVE (12-T, CW, 3-SPL, 97mm L, Spragg Clutch Type, Accurate)	53-112	CENTER SUPPORT PLATE (3" OD)
4-291	STARTER DRIVE (10-T, CW, 3-SPL, 97mm L, Sgl. Roller Clutch Type, Accurate)	53-113	CENTER SUPPORT PLATE (4-1/2 OD)
4-302	STARTER DRIVE (10-T, CW, 3-SPL, 97mm L, Spragg Clutch Type, Accurate)	54-109-1	STARTER DRIVE (9-T, CW, 3-SPL, 97mm L, Dbl. Roller Clutch Type)
4-310	STARTER DRIVE (10-T, CW, 3-SPL, 97mm L, Sgl. Roller Clutch Type, Accurate)	54-112-4	STARTER DRIVE (12-T, CW, 3-SPL, 97mm L, Dbl. Roller Clutch Type)
4-348	STARTER DRIVE (10-T, CW, 3-SPL, 81mm L, Accurate)	54-113-1	STARTER DRIVE (10-T, CW, 3-SPL, 97mm L, Dbl. Roller Clutch Type)
4-457	STARTER DRIVE (9-T, CW, 3-SPL, 97mm L, Dbl. Roller Clutch Type, Accurate)	54-137-2	STARTER DRIVE (10-T, CW, 3-SPL, 97mm L, Sgl. Roller Clutch Type)
4-479VN	STARTER DRIVE (10-T, CW, 3-SPL, 97mm L, Ratchet Clutch Type, Accurate)	54-138-2	STARTER DRIVE (10-T, CW, 3-SPL, 97mm L, Sgl. Roller Clutch Type)
4-482VN	STARTER DRIVE (12-T, CW, 3-SPL, 97mm L, Ratchet Clutch Type, Accurate)	55-104	SHIFT LEVER (Wide)
7-975	SOLENOID - 4-Terms., Long Style (Cadmium Plated Contact, w/ Extension Kit, Accurate)	55-104-1	SHIFT LEVER (Wide)
7-984	SOLENOID - 4-Terms., Short Style (Cadmium Plated Contact, w/ Extension Kit, Accurate)	55-105	SHIFT LEVER (Narrow)
7-1039	SOLENOID - 4-Terms., Short Style (Cadmium Plated Contact, Sealed Terminals, Accurate)	55-1200	SHAFT - Shift Lever (5/16-18)
51-112	D.E. HOUSING (Cast Iron, .42 3-Ear Flg. Mtg.)	55-1201	SHAFT - Shift Lever, used w/ 84-8900 Snap Ring
51-114	D.E. HOUSING - Wet Clutch Strs. (Cast Iron, .42 3-Ear Flg. Mtg.)	55-1301	BUTTON - Shift Lever
51-115	D.E. HOUSING - Wet Clutch Strs. (Cast Iron, .42 3-Ear Flg. Mtg.)	58-105	POLE SHOE
51-116	D.E. HOUSING (Cast Iron, .42 3-Ear Flg. Mtg.)	59-118	FIELD COIL - 12V, CW Rotation (5-1/2 Turn Coil, Mfd. in Canada)
51-126	D.E. HOUSING - Wet Clutch Strs. (Cast Iron, .42 3-Ear Flg. Mtg.)	59-118-3	FIELD COIL - 12V, CW Rotation (5-1/2 Turn Coil)
51-134	D.E. HOUSING (Cast Iron, .49 2-Ear Flg. Mtg.)	59-119	FIELD COIL - 12V, CW Rotation (5 Turn Coil, Mfd. in Canada)
51-137	D.E. HOUSING - Wet Clutch Strs. (Cast Iron, .42 3-Ear Flg. Mtg.)	59-119-3	FIELD COIL - 12V, CW Rotation (5 Turn Coil)
51-177	D.E. HOUSING (Aluminum, 10mm Pad Mtg., No Shim)	59-120	FIELD COIL - 12V, CW Rotation (3-1/2 Turn Coil, Mfd in Canada)
51-179	D.E. HOUSING (Cast Iron, .49 3-Ear Flg. Mtg.)	59-120-3	FIELD COIL - 12V, CW Rotation (3-1/2 Turn Coil)
51-189	D.E. HOUSING - Wet Clutch Strs. (Cast Iron, .42 3-Ear Flg. Mtg.)	59-152	FIELD COIL - 12V, CW Rotation (4-1/2 Turn Coil)
51-190	D.E. HOUSING (Cast Iron, .42 3-Ear Flg. Mtg.)	59-174	FIELD COIL - 24V, CW Rotation
51-1111	D.E. HOUSING (Aluminum, 10mm Pad Mtg., No Shim)	61-133	ARMATURE - 12V, CW, 6-Splines (Ref# 2204)
52-103	C.E. FRAME (4-1/8 OD, Stamped Steel)	61-134	ARMATURE - 12V, CW, 3-Splines (Ref# 2276)
52-103-1	C.E. FRAME (4-1/8 OD, Zinc Yellow Dichromate)	61-1201	COMMUTATOR - Armature (23 Bars, 15.75mm ID x 60.33mm OD x 2.67mm Slot Width)
52-104	C.E. FRAME (4-1/2 OD, Stamped Steel)	61-1204-1	COMMUTATOR - Armature (23 Bars, 15.75mm ID x 60.33mm OD x 2.92mm Slot Width)
52-121	C.E. FRAME (4-3/16 OD, Cast Iron)	62-1402	BUSHING - D.E. (.4730 ID x .5195 OD x .500 L)
		62-1402-1	BUSHING - D.E. (1X-Undersize, .4705 ID x .5195 OD x .500 L)
		62-1402-2	BUSHING - D.E. (2X-Undersize, .4680 ID x .5195 OD x .500 L)
		62-1402-8	BUSHING - D.E. (Split Type, .4730 ID x .5195 OD x .500 L)
		62-1406	BUSHING - D.E. (.5010 ID x .6260 OD x .775 L)



# DELCO 20MT, 22MT, 25MT, 27MT SERIES (cont'd.)

DELCO 20MT, 22MT, 25MT, 27MT SERIES



# DELCO 20MT, 22MT, 25MT, 27MT SERIES (cont'd.)

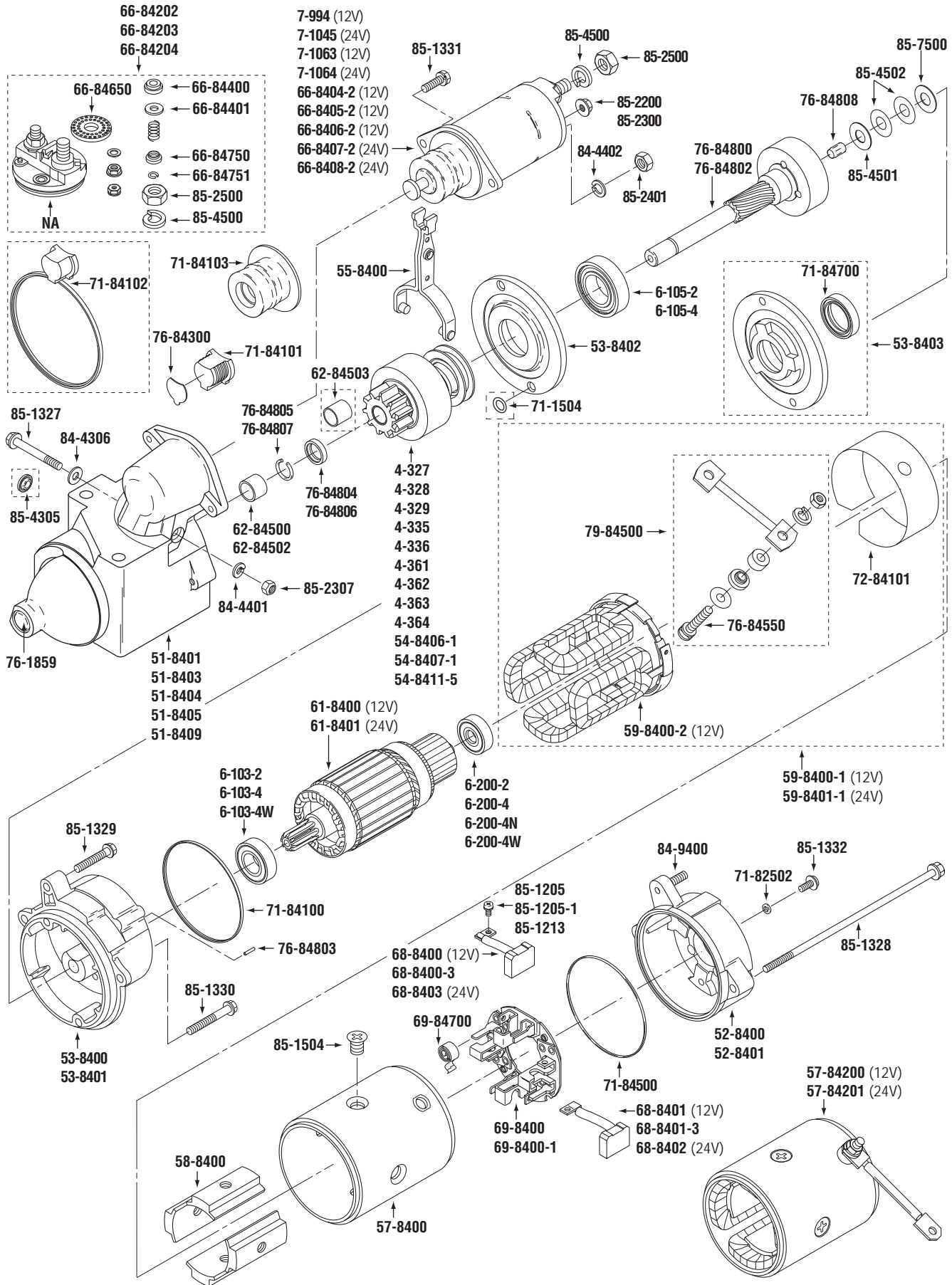
WAI No.	Description	WAI No.	Description
<b>62-1406-1</b>	BUSHING - D.E. (1X-Undersize, .4985 ID x .6260 OD x .775 L)	<b>69-1707</b>	BRUSH SPRING - (Arms Bend Out)
<b>62-1500</b>	BUSHING - D.E. (.5033 ID x .5638 OD x .780 L)	<b>71-1100</b>	GASKET - C.S. Frame, 53-101
<b>62-1500-1</b>	BUSHING - D.E. (1X-Undersize, .5008 ID x .5638 OD x .780 L)	<b>71-1107</b>	GASKET - Solenoid Mtg. (Rubber)
<b>62-1500-2</b>	BUSHING - D.E. (2X-Undersize, .4983 ID x .5638 OD x .780 L)	<b>71-1112</b>	GASKET - Starter Mounting
<b>62-1500-S</b>	BUSHING - D.E. (Split Type, .5033 ID x .5638 OD x .620 L)	<b>71-1304-1</b>	GROMMET - Motor Lead (Short Round)
<b>62-1501</b>	BUSHING - C.E. (.5642 ID x .6280 OD x .650 L)	<b>71-1316</b>	BOOT - Solenoid Plunger
<b>62-1501-1</b>	BUSHING - C.E. (1X-Undersize, .5617 ID x .6280 OD x .650 L)	<b>71-1700</b>	OIL SEAL - C.S. Frame, 53-101
<b>62-1501-2</b>	BUSHING - C.E. (2X-Undersize, .5592 ID x .6280 OD x .650 L)	<b>72-1111</b>	INSULATOR - C.E. Frame
<b>62-1501-3</b>	BUSHING - C.E. (3X-Undersize, .5567 ID x .6280 OD x .650 L)	<b>76-1251</b>	CONNECTOR - Field Coil to Soln.
<b>62-1501-D</b>	BUSHING - C.E. (Split Type, .5642 ID x .6280 OD x .650 L)	<b>76-1251-1</b>	CONNECTOR - Field Coil to Soln. (w/ 10-32 Steel Nut)
<b>62-1501-S</b>	BUSHING - C.E. (Split Type, .5642 ID x .6280 OD x .720 L)	<b>76-1602</b>	GROUND LEAD - Brush (8-Gauge)
<b>62-1505</b>	BUSHING - C.E. (Prefit, .5642 ID x .6895 OD x .750 L)	<b>76-1609</b>	REPAIR LEAD - Field Coil to Brush (w/ Clip)
<b>62-1700</b>	BUSHING - C.S. (.7520 ID x 1.2550 OD x .395 L)	<b>76-1804</b>	RETAINING RING - Stop Collar (1/2 ID)
<b>62-1701</b>	BUSHING - C.S. (.7525 ID x .8140 OD x .722 L)	<b>76-1805</b>	STOP COLLAR (14mm ID x 20mm OD)
<b>62-1703</b>	BUSHING - C.S. (.7530 ID x .8795 OD x .720 L)	<b>76-1831</b>	OIL WICK - D.E. Hsg. (5/16 OD x 2-3/8 L)
<b>66-100-4</b>	SOLENOID - 4-Terms., Short Style (Nickel Plated Contact, Bulk 20/Case)	<b>76-1848</b>	THRUST COLLAR - D.E.
<b>66-100-5</b>	SOLENOID - 4-Terms., Short Style (Cadmium Plated Contact, Bulk 20/Case)	<b>76-1954</b>	PIPE PLUG - Oil Reservoir, D.E.
<b>66-100-6</b>	SOLENOID - 4-Terms., Short Style (Cadmium Plated Contact, w/ Extension Kit)	<b>79-1126</b>	TERMINAL EXTENSION KIT
<b>66-101-4</b>	SOLENOID - 4-Terms., Long Style (Nickel Plated Contact, Bulk 20/Case)	<b>79-1150</b>	REPAIR KIT - Wet Clutch Strs.
<b>66-101-5</b>	SOLENOID - 4-Terms., Long Style (Cadmium Plated Contact, Bulk 20/Case)	<b>79-1151</b>	REPAIR KIT
<b>66-101-6</b>	SOLENOID - 4-Terms., Long Style (Cadmium Plated Contact, w/ Extension Kit)	<b>84-1217</b>	SCREW - Field Brush (8-32 x 3/4 L, Hex, Thd. Cut.)
<b>66-1551</b>	PLUNGER SPRING	<b>84-1222</b>	SCREW - Grd. Brush (8-32 x 5/8 L, Hex, Thd. Cut.)
<b>66-1553</b>	PLUNGER SPRING (Long Heavy Duty)	<b>84-1300</b>	SCREW - Field Coil Term. to Soln., C.S. (10-32 x 1/2 L, Hex)
<b>66-1600</b>	PLUNGER - Solenoid (Short Type)	<b>84-1317</b>	SCREW - Brush Support (10-24 x 1/2 L, Hex, Thd. Form.)
<b>66-1600-1</b>	PLUNGER - Solenoid (Short Type)	<b>84-1338</b>	SCREW - C.S. (10-32 x 1/2 L, Slotted Pan, Thd. Cut.)
<b>66-1601</b>	PLUNGER - Solenoid (Long Type)	<b>84-1356</b>	SCREW - Soln. Term. Ext. (10-32 x 1-1/8 L, Hex)
<b>66-1750</b>	TERMINAL EXTENSION - Motor (5/8 L)	<b>84-1359</b>	SCREW - Connector (10-32 x 7/16 L, Slotted Hex, Thd. Cut.)
<b>68-102</b>	BRUSH - 12V, Ref# R-120	<b>84-1410</b>	SCREW - Soln. Mtg. (1/4-20 x 5/8 L, Hex)
<b>68-106</b>	BRUSH - 12V, Ref# R-95 (Concave Surface)	<b>84-1417</b>	THRU BOLT (1/4-20 x 7-1/4 L)
<b>68-107</b>	BRUSH - 12V, Ref# R-95S (Flat Surface)	<b>84-1437</b>	THRU BOLT (1/4-20 x 7-5/16 L)
<b>68-126</b>	BRUSH - 24V, Ref# R-98	<b>84-1438</b>	THRU BOLT (1/4-20 x 7-1/2 L w/ 1/4-20 x 5/8 L Ext.)
<b>69-1201</b>	BRUSH HOLDER - Grd., Step-Down Case (Late Style w/ Round Pivot Arm)	<b>84-1502</b>	SCREW - Pole Shoe (3/8-24 x 5/8 L, Phillips)
<b>69-1201-1</b>	BRUSH HOLDER - Grd., Step-Down Case (Early Style w/ Pointed Pivot Arm)	<b>84-2308</b>	HEX NUT - Brush Support (10-24 x 3/8 F x 1/8 T)
<b>69-1201-2</b>	BRUSH HOLDER - Grd., Step-Down Case (Universal Style w/ Short Pivot Arm)	<b>84-2407</b>	HEX NUT - Shift Lever Shaft (5/16-18 x 1/2 F x 3/16 T, Zinc Plated)
<b>69-1201-3</b>	BRUSH HOLDER - Grd., Step-Down Case (Late Style w/ Round Pivot Arm)	<b>84-2407-1</b>	HEX NUT - Shift Lever Shaft (5/16-18 x 1/2 F x 1/4 T, Zinc Plated)
<b>69-1202</b>	BRUSH HOLDER - Insul. (8-32 Threaded, Phenolic)	<b>84-4300</b>	LOCK WASHER - Term. Ext. (#10 ID, Ext. Tooth)
<b>69-1202-2</b>	BRUSH HOLDER - Insul. (Unthreaded, Phenolic)	<b>84-4305</b>	LOCK WASHER - C.S. (#10 ID, Sq. Conical)
<b>69-1204</b>	BRUSH HOLDER - Grd., Straight Fld. Case	<b>84-4309</b>	LOCK WASHER - Brush Support (#10 ID, Split)
<b>69-1501</b>	PIN - Brush Holder	<b>84-4400</b>	WASHER W/ SEAL - Shift Lever Shaft (9/32 ID, Conical)
<b>69-1503</b>	SUPPORT - Field Case, Step-Down Case	<b>84-4401</b>	LOCK WASHER - Soln. Mtg. (1/4 ID, Split)
<b>69-1503-3</b>	SUPPORT - Field Case, Step-Down Case	<b>84-4402</b>	LOCK WASHER - Shift Lever Shaft (5/16 ID, Split)
<b>69-1504</b>	SUPPORT - Brush Holder, Straight Case	<b>84-4410</b>	WASHER W/ SEAL - Shift Lever Shaft (5/16 ID, Conical)
<b>69-1701</b>	BRUSH SPRING - (Arms Bend In)	<b>84-4610</b>	THRUST WASHER - C.E. (9/16 ID x 1 OD, Steel)
		<b>84-4613</b>	THRUST WASHER - C.E. (9/16 ID x 1-3/16 OD, Steel)
		<b>84-4615</b>	THRUST WASHER - D.E. (1/2 ID x 3/4 OD, Steel)
		<b>84-5901</b>	SPLIT ROLL PIN - Plunger to Shift Lever (3/16 OD x 1 L)
		<b>84-5902</b>	SPLIT ROLL PIN - D.E. Hsg. (3/16 OD x 3/8 L)
		<b>84-7706</b>	BRAKE WASHER - C.S. (3/4 ID x 2 OD, Fiber)
		<b>84-7709</b>	BRAKE WASHER - C.S. (13/16 ID x 2 OD, Fiber)
		<b>84-8900</b>	SNAP RING - Shift Lever Shaft (.281 ID x .025 T, Ext.)
		<b>D54-479</b>	STARTER DRIVE (10-T, CW, 3-SPL, 97mm L, Dbl. Roller Clutch Type, Accurate)
		<b>D54-482</b>	STARTER DRIVE (12-T, CW, 3-SPL, 97mm L, Dbl. Roller Clutch, Accurate)

**DELCO 20MT, 22MT, 25MT, 27MT SERIES**

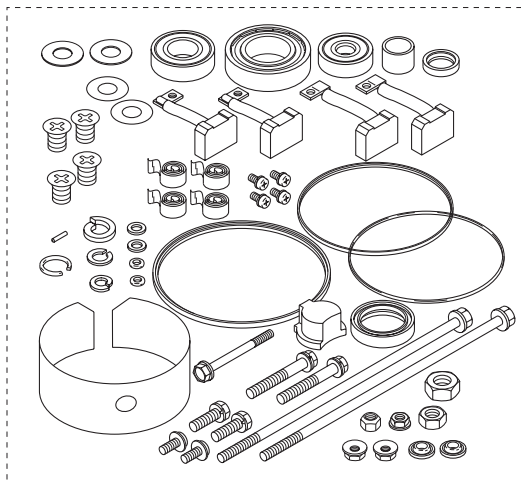


# DELCO 28MT SERIES

DELCO 28MT SERIES



WAI No.	Description
4-327	STARTER DRIVE (10T, CW, 14mm ID, 32mm Gear OD, 26mm Clutch Barrel Length w/ Rubber Seal, Accurate)
4-328	STARTER DRIVE (10T, CW, 14mm ID, 40mm Gear OD, 26mm Clutch Barrel Length, w/ Rubber Seal, Accurate)
4-329	STARTER DRIVE (12T, CW, 14mm ID, 46.5mm Gear OD, 26mm Clutch Barrel Length, w/ Rubber Seal, Accurate)
4-335	STARTER DRIVE (9T, CW, 14mm ID, 34mm Gear OD, 26mm Clutch Barrel Length, Accurate)
4-336	STARTER DRIVE (9T, CW, 13mm ID, 29.5mm Gear OD, 26mm Clutch Barrel Length, Accurate)
4-361	STARTER DRIVE (10T, CW, 14mm ID, 40mm Gear OD, 32mm Clutch Barrel Length, Accurate)
4-362	STARTER DRIVE (10T, CW, 13mm ID, 32mm Gear OD, 26mm Clutch Barrel Length, Accurate)
4-363	STARTER DRIVE (12T, CW, 14mm ID, 46.5mm Gear OD, 32mm Clutch Barrel Length, Accurate)
4-364	STARTER DRIVE (10T, CW, 14mm ID, 32mm Gear OD, 32mm Clutch Barrel Length, Accurate)
6-103-2	BALL BEARING - Armature, D.E., Ref# 6003 (Dbl. Shielded)
6-103-4	BALL BEARING - Armature, D.E., Ref# 6003 (Dbl. Sealed)
6-103-4W	BALL BEARING - Armature, D.E., Ref# 6003 (Dbl. Sealed, WBD)
6-105-2	BALL BEARING - Drive Shaft, Ref# 6005 (Dbl. Shielded)
6-105-4	BALL BEARING - Drive Shaft, Ref# 6005 (Dbl. Sealed)
6-200-2	BALL BEARING - Armature, C.E., Ref# 6200 (Dbl. Shielded)
6-200-4	BALL BEARING - Armature, C.E., Ref# 6200 (Dbl. Sealed)
6-200-4N	BALL BEARING - Armature, C.E., Ref# 6200 (Dbl. Sealed, NTN)
6-200-4W	BALL BEARING - Armature, C.E., Ref# 6200 (Dbl. Sealed, WBD)
7-994	SOLENOID - 12V (M5 x 0.8 S-Term., Accurate)
7-1045	SOLENOID - 24V (M5 x 0.8 S-Term., Accurate)
7-1063	SOLENOID - 12V (M5 x 0.8 R-Term. & S-Term., Jump-Start Protection Cap, Accurate)
7-1064	SOLENOID - 24V (M5 x 0.8 R-Term. & S-Term., Jump-Start Protection Cap, Accurate)
51-8401	D.E. HOUSING (10mm Pad Mtg.)
51-8403	D.E. HOUSING (.42 3-Ear Flg. Mtg.)
51-8404	D.E. HOUSING (.42 3-Ear Flg. Mtg.)
51-8405	D.E. HOUSING (.42 3-Ear Flg. Mtg.)

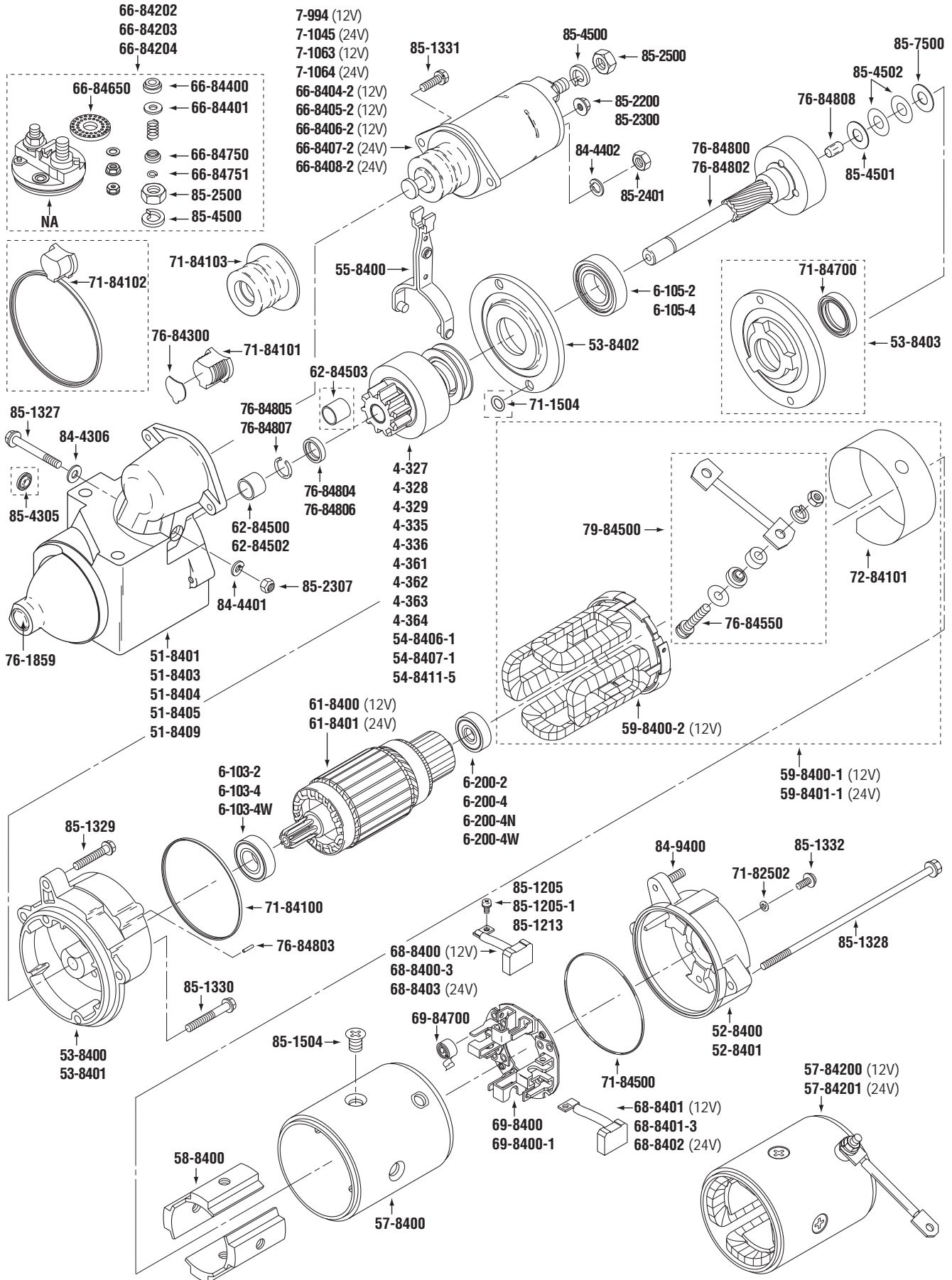


↑  
**79-84100**

WAI No.	Description
51-8409	D.E. HOUSING (.42 3-Ear Flg. Mtg.)
52-8400	C.E. FRAME (w/ 1/4-20 Mtg. Stud)
52-8401	C.E. FRAME
53-8400	C.S. FRAME - Strs. w/ Pad Mtg. D.E. Hsgs.
53-8401	C.S. FRAME - Strs. w/ Flg. Mtg. D.E. Hsgs.
53-8402	DRIVE SHAFT FRAME - Dry Clutch Strs. (wo/ Oil Seal)
53-8403	DRIVE SHAFT FRAME - Wet Clutch Strs. (w/ Oil Seal)
54-8406-1	STARTER DRIVE (10T, CW, 14mm ID, 32mm Gear OD, 26mm Clutch Barrel Length w/ Rubber Seal)
54-8407-1	STARTER DRIVE (12T, CW, 14mm ID, 46.5mm Gear OD, 26mm Clutch Barrel Length, w/ Rubber Seal)
54-8411-5	STARTER DRIVE (10T, CW, 14mm ID, 32mm Gear OD, 32mm Clutch Barrel Length)
55-8400	SHIFT LEVER
57-8400	FIELD CASE
57-84200	FIELD CASE ASSY. - 12V
57-84201	FIELD CASE ASSY. - 24V
58-8400	POLE SHOE
59-8400-1	FIELD COIL - 12V (w/ Motor Term., Hardware Kit)
59-8400-2	FIELD COIL - 12V
59-8401-1	FIELD COIL - 24V (w/ Motor Term., Hardware Kit)
61-8400	ARMATURE - 12V
61-8401	ARMATURE - 24V
62-84500	BUSHING - D.E. (14.05mm ID x 17.08mm OD x 16.0mm L)
62-84502	BUSHING - D.E. (13.04mm ID x 16.05mm OD x 16.0mm L)
62-84503	BUSHING - Drive (14.04mm ID x 16.02mm OD x 16.0mm L)
66-8404-2	SOLENOID - 12V (M5 x 0.8 S-Term.)
66-8405-2	SOLENOID - 12V (M4 x 0.7 S-Term.)
66-8406-2	SOLENOID - 12V (M5 x 0.8 R-Term. & S-Term.)
66-8407-2	SOLENOID - 24V (M5 x 0.8 R-Term. & S-Term., Jump-Start Protection Cap)
66-8408-2	SOLENOID - 24V (M5 x 0.8 S-Term.)
66-84202	SOLENOID REPAIR KIT - 12-24V (M5 x 0.8 S-Term.)
66-84203	SOLENOID REPAIR KIT - 12V (M4 x 0.7 S-Term.)
66-84204	SOLENOID REPAIR KIT - 12-24V (M5 x 0.8 R-Term. & S-Term., Jump-Start Protection Cap)
66-84400	INSULATOR - Movable Contact
66-84401	INSULATING WASHER - Movable Contact
66-84650	MOVABLE CONTACT
66-84750	RETAINER - Movable Contact
66-84751	RETAINING RING - Movable Contact
68-8400	BRUSH - Grd., 12V
68-8400-3	BRUSH - Grd., 12V
68-8401	BRUSH - Field, 12V
68-8401-3	BRUSH - Field, 12V
68-8402	BRUSH - Field, 24V
68-8403	BRUSH - Grd., 24V
69-8400	BRUSH HOLDER ASSY.
69-8400-1	BRUSH HOLDER ASSY.
69-84700	BRUSH SPRING
71-1504	O-RING - D.E. Hsg.
71-82502	O-RING - Brush Holder Screw (5mm ID x 8mm OD)
71-84100	GASKET - C.S. Frame
71-84101	PLUG - Shift Lever Support, Dry Clutch Strs.
71-84102	SEAL - D.E. Hsg., Wet Clutch Strs.
71-84103	BOOT - Solenoid Plunger
71-84500	O-RING - C.E. Frame (82mm ID x 85.6mm OD)
71-84700	OIL SEAL - Drive Shaft Frame
72-84101	INSULATOR - Field Coil
76-1859	EXPANSION PLUG - D.E. Hsg. (19mm Dia.)

# DELCO 28MT SERIES (cont'd.)

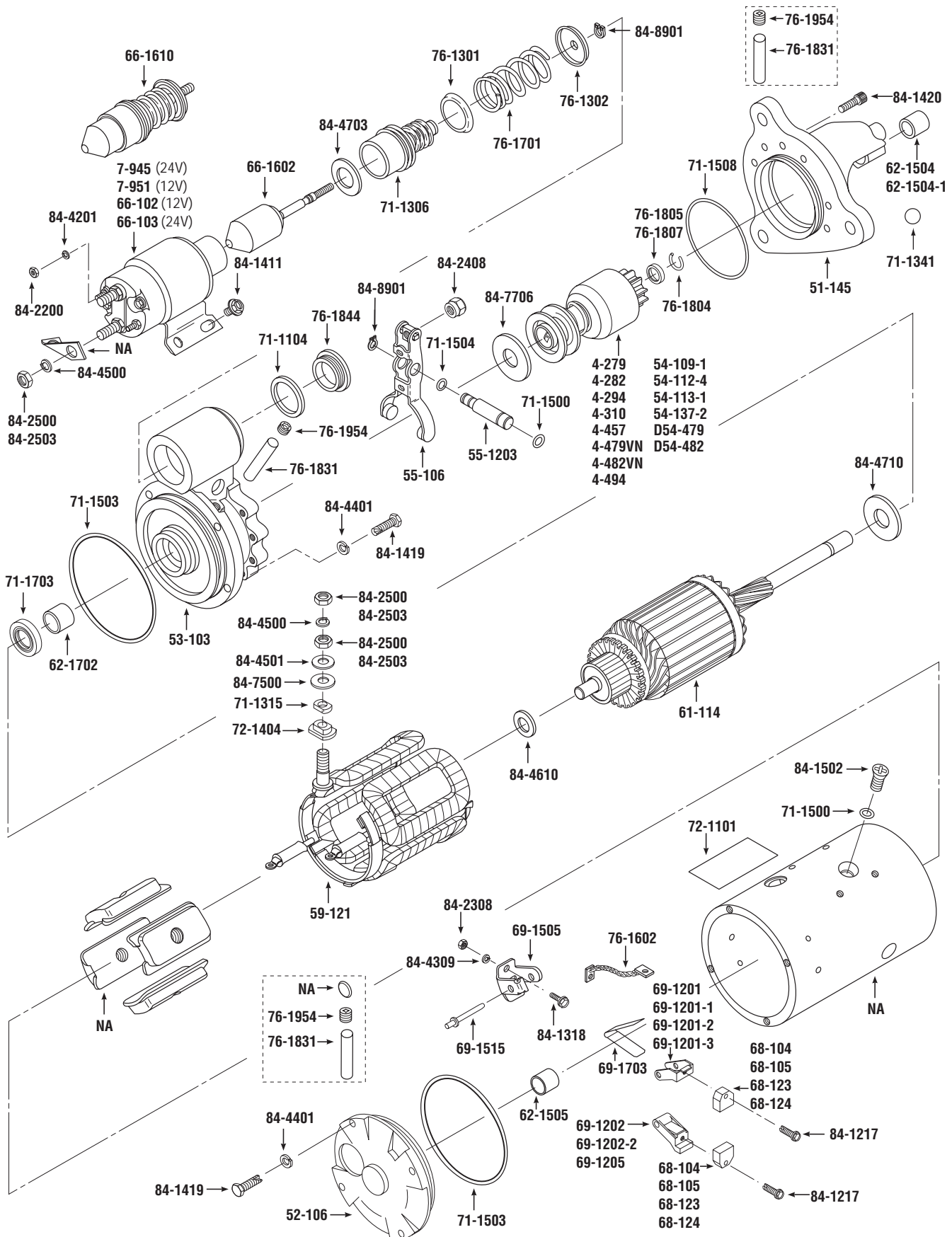
DELCO 28MT SERIES



<b>WAI No.</b>	<b>Description</b>
76-84300	PLATE - D.E. Hsg.
76-84550	TERMINAL POST - Field Coil
76-84800	DRIVE SHAFT (14mm OD x 172mm L)
76-84802	DRIVE SHAFT (14mm OD x 165mm L)
76-84803	PIN - C.S. Frame
76-84804	STOP COLLAR (13mm ID x 20mm OD)
76-84805	RETAINING RING - Used w/ 13mm Shaft
76-84806	STOP COLLAR - Used w/ Aftmrkt 1-Piece Retaining Ring (14mm ID x 20mm OD)
76-84807	RETAINING RING - Used w/ 14mm Shaft, 1-pc design
76-84808	PIN - Drive Shaft
79-84100	REPAIR KIT - 12V Strs.
79-84500	TERMINAL KIT - Field Coil
84-4306	FLAT WASHER - Shift Lever Screw (#12 ID)
84-4401	LOCK WASHER - Shift Lever Screw (1/4 ID, Split)
84-4402	LOCK WASHER - Soln. Term. (5/16 ID, Split)
84-9400	STUD - C.E. Frame (1/4-20 x 3/8 L Int., 1/4-20 x 5/8 L Ext.)
85-1205	SCREW - Brush (M4 x 0.7 x 5.7mm L, Phillips)
85-1205-1	SCREW - Brush (M4 x 0.7 x 7.5mm L, Phillips, Dog Point)
85-1213	SCREW - Brush (M4 x 0.7 x 6mm L, Hex)
85-1327	SCREW - Shift Lever (M6 x 1.0 x 49mm L, Hex)
85-1328	THRU BOLT (M6 x 1.0 x 180mm L)
85-1329	SCREW - D.E. Hsg. (M6 x 1.0 x 33mm L, Hex)
85-1330	SCREW - D.E. Hsg. (M6 x 1.0 x 57mm L, Hex)
85-1331	SCREW - Solenoid Mtg. (M6 x 1.0 x 18mm L, Hex)
85-1332	SCREW - Brush Holder Assy. (M5 x 0.8 x 14mm L, Hex)
85-1504	SCREW - Pole Shoe (M10 x 1.5 x 14mm L, Phillips)
85-2200	HEX NUT - S-Term. (M4 x 0.7 x 9mm F x 4mm T, w/ Att. Washer)
85-2300	HEX NUT - S-Term. (M5 x 0.8 x 8mm F x 4.5mm T, w/ Att. Washer)
85-2307	HEX NUT - Shift Lever Screw (M6 x 1.0 x 10mm F x 5.8mm T, Top Lock)
85-2401	HEX NUT - Soln. Motor Term. (M8 x 1.25 x 13mm F x 5mm T)
85-2500	HEX NUT - Batt. Term. (M10 x 1.5 x 17mm F x 8mm T)
85-4305	WASHER W/ SEAL - Shift Lever Screw (6mm ID, Conical)
85-4500	LOCK WASHER - Batt. Term. (10mm ID, Split)
85-4501	FLAT WASHER - Drive Shaft (10mm ID)
85-4502	FLAT WASHER - Drive Shaft (10mm ID)
85-7500	INSULATING WASHER - Drive Shaft (10mm ID)

# DELCO 30MT SERIES, EXTERNAL ROTATABLE

DELCO 30MT EXTERNAL ROTATABLE



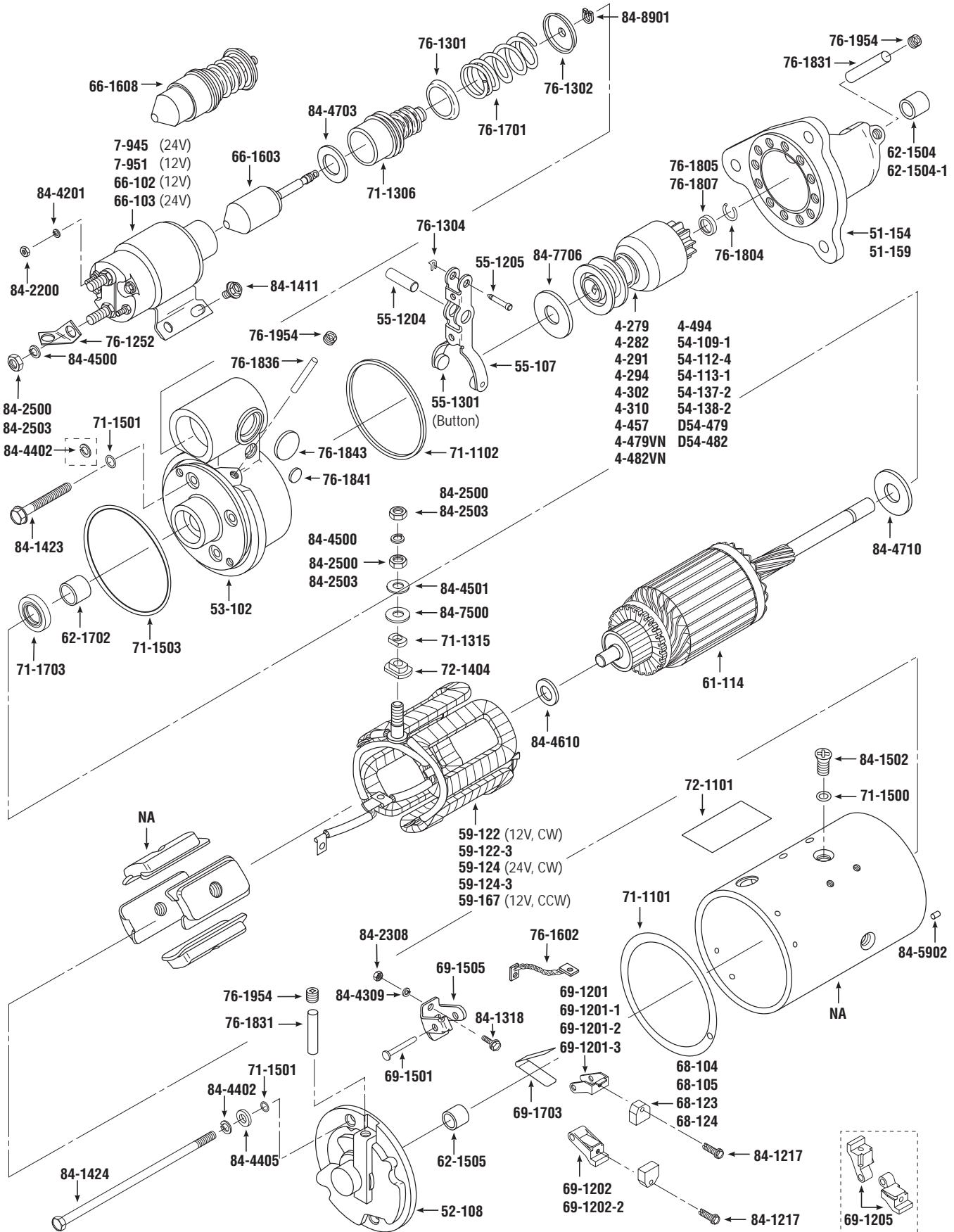
# DELCO 30MT SERIES, EXTERNAL ROTATABLE

WAI No.	Description	WAI No.	Description
4-279	STARTER DRIVE (10-T, CW, 3-SPL, 97mm L, Spragg Clutch Type, Accurate)	69-1202-2	BRUSH HOLDER - Insul. (Unthreaded, Phenolic)
4-282	STARTER DRIVE (12-T, CW, 3-SPL, 97mm L, Spragg Clutch Type, Accurate)	69-1205	BRUSH HOLDER - Insul. Strs. (8-32 Threaded, Phenolic)
4-294	STARTER DRIVE (12-T, CCW, 3-SPL, 97mm L, Spragg Clutch Type, Accurate)	69-1505	SUPPORT - Brush Holder
4-310	STARTER DRIVE (10-T, CW, 3-SPL, 97mm L, Sgl. Roller Clutch Type, Accurate)	69-1515	PIN - Brush Holder (w/ Extension)
4-457	STARTER DRIVE (9-T, CW, 3-SPL, 97mm L, Dbl. Roller Clutch Type, Accurate)	69-1703	BRUSH SPRING
4-479VN	STARTER DRIVE (10-T, CW, 3-SPL, 97mm L, Ratchet Clutch Type, Accurate)	71-1104	GASKET - Inspection Plug
4-482VN	STARTER DRIVE (12-T, CW, 3-SPL, 97mm L, Ratchet Clutch Type, Accurate)	71-1306	BOOT - Solenoid Plunger
4-494	STARTER DRIVE (12-T, CCW, 3-SPL, 97mm L, Ratchet Clutch Type, Accurate)	71-1315	INSULATOR - Field Coil Term. (3/8 ID)
7-945	SOLENOID - 24V (4-Term., Insul. Base, Accurate)	71-1341	PLUG - D.E. Mtg. Holes (3/8 Dia.)
7-951	SOLENOID - 12V (4-Term., Grd. Base, Accurate)	71-1500	O-RING - Shift Lever, Pole Shoe Screw (3/8 ID x 1/2 OD)
51-145	D.E. HOUSING (Cast Iron, 5/8 3-Ear Flg. Mtg.)	71-1503	O-RING - L.H., C.E. Frame
52-106	C.E. FRAME	71-1504	O-RING - Shift Lever
53-103	LEVER HOUSING	71-1508	O-RING - D.E. Hsg. to L.H. (3-1/4 ID x 3-1/2 OD)
54-109-1	STARTER DRIVE (9-T, CW, 3-SPL, 97mm L, Dbl. Roller Clutch Type)	71-1703	OIL SEAL - L.H. (11/16 ID x 1/4 W)
54-112-4	STARTER DRIVE (12-T, CW, 3-SPL, 97mm L, Dbl. Roller Clutch Type)	72-1101	INSULATOR - Field Coil (1-1/2 W x 3 L)
54-113-1	STARTER DRIVE (10-T, CW, 3-SPL, 97mm L, Dbl. Roller Clutch Type)	72-1404	INSULATOR - Field Coil Term. (3/8 ID)
54-137-2	STARTER DRIVE (10-T, CW, 3-SPL, 97mm L, Sgl. Roller Clutch Type)	76-1301	RETAINER - Plunger Spring (1-13/64 ID)
55-106	SHIFT LEVER (5/16 Dia. Plunger Rod Hole)	76-1302	RETAINER - Plunger Spring (13/32 ID)
55-1203	SHAFT - Shift Lever (1-21/32 L)	76-1602	GROUND LEAD - Brush (8-Gauge)
59-121	FIELD COIL - 12V, CW Rotation	76-1701	SPRING - Plunger
61-114	ARMATURE - 12-24V, CW Rotation (Ref# 1802)	76-1804	RETAINING RING - Stop Collar (1/2 ID)
62-1504	BUSHING - D.E. (Prefit, .5645 ID x .7520 OD x .750 L)	76-1805	STOP COLLAR (14mm ID x 20mm OD)
62-1504-1	BUSHING - D.E. (1X-Undersize, .5620 ID x .7520 OD x .750 L)	76-1807	STOP COLLAR (14.3mm ID x 22.4mm OD)
62-1505	BUSHING - C.E. (Prefit, .5642 ID x .6895 OD x .750 L)	76-1831	OIL WICK - D.E., C.E., L.H. (5/16 OD x 2-3/8 L)
62-1702	BUSHING - L.H. (Prefit, .7600 ID x .8925 OD x .750 L)	76-1844	INSPECTION PLUG - L.H.
66-102	SOLENOID - 12V (4-Term., Grd. Base)	76-1954	PIPE PLUG - Oil Reservoir, D.E., L.H., C.E.
66-103	SOLENOID - 24V (4-Term., Insul. Base)	84-1217	SCREW - Brush (8-32 x 3/4 L, Hex, Thd. Cut.)
66-1602	PLUNGER - Soln. (5/16 Dia. Mtg. Shoulder)	84-1318	SCREW - Brush Support (10-24 x 3/4 L, Slotted)
66-1610	PLUNGER ASSEMBLY (w/ 66-1602 Plunger)	84-1411	SCREW - Soln. Mtg. (1/4-20 x 5/16 L, Hex)
68-104	BRUSH - 12V, Ref# R-87 (Concave Surface)	84-1419	SCREW - C.E., L.H. (1/4-28 x 1 L, Hex, Thd. Cut.)
68-105	BRUSH - 12V, Ref# R-87S (Flat Surface)	84-1420	SCREW - D.E. Hsg. (1/4-28 x 7/8 L, Socket Head)
68-123	BRUSH - 24V, Ref# R-66 (Concave Surface)	84-1502	SCREW - Pole Shoe (3/8-24 x 5/8 L, Phillips)
68-124	BRUSH - 24V, Ref# R-66S (Flat Surface)	84-2200	HEX NUT - Soln. Term. (8-32 x 11/32 F x 1/8 T)
69-1201	BRUSH HOLDER - Grd. (Late Style w/ Round Pivot Arm)	84-2308	HEX NUT - Brush Support (10-24 x 3/8 F x 1/8 T)
69-1201-1	BRUSH HOLDER - Grd. (Early Style w/ Pointed Pivot Arm)	84-2408	HEX NUT - Plunger (5/16-24 x 1/2 F x 7/16 T, Nylon Lock)
69-1201-2	BRUSH HOLDER - Grd. (Universal Style w/ Short Pivot Arm)	84-2500	HEX NUT - Batt., Motor Terms. (3/8-16 x 5/8 F x 5/32 T)
69-1201-3	BRUSH HOLDER - Grd. (Late Style w/ Round Pivot Arm)	84-2503	HEX NUT - Batt., Motor Terms. (3/8-16 x 5/8 F x 1/4 T)
69-1202	BRUSH HOLDER - Insul. (8-32 Threaded, Phenolic)	84-4201	LOCK WASHER - Soln. Term. (#8 ID, Split)
		84-4309	LOCK WASHER - Brush Support (#10 ID, Split)
		84-4401	LOCK WASHER - C.E., L.H. (1/4 ID, Split)
		84-4500	LOCK WASHER - Motor Term. (3/8 ID, Split)
		84-4501	FLAT WASHER - Term. Stud (3/8 ID)
		84-4610	THRUST WASHER - C.E. (9/16 ID x 1 OD, Steel)
		84-4703	FLAT WASHER - Plunger (27/32 ID)
		84-4710	SPACER - L.H. (3/4 ID x .122 T)
		84-7500	INSULATING WASHER - Term. Stud (3/8 ID)
		84-7706	BRAKE WASHER - L.H. (3/4 ID x 2 OD, Fiber)
		84-8901	SNAP RING - Plunger, Shift Lever (.338 ID x .025 T, Ext.)
		D54-479	STARTER DRIVE (10-T, CW, 3-SPL, 97mm L, Dbl. Roller Clutch Type, Accurate)
		D54-482	STARTER DRIVE (12-T, CW, 3-SPL, 97mm L, -Dbl. Roller Clutch, Accurate)

**DELCO 30MT EXTERNAL ROTATABLE**

# DELCO 30MT SERIES, INTERNAL ROTATABLE

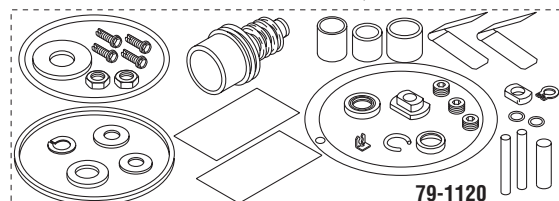
DELCO 30MT INTERNAL ROTATABLE



# DELCO 30MT SERIES, INTERNAL ROTATABLE

WAI No.	Description
4-279	STARTER DRIVE (10-T, CW, 3-SPL, 97mm L, Spragg Clutch Type, Accurate)
4-282	STARTER DRIVE (12-T, CW, 3-SPL, 97mm L, Spragg Clutch Type, Accurate)
4-291	STARTER DRIVE (10-T, CW, 3-SPL, 97mm L, Sgl. Roller Clutch Type, Accurate)
4-294	STARTER DRIVE (12-T, CCW, 3-SPL, 97mm L, Spragg Clutch Type, Accurate)
4-302	STARTER DRIVE (10-T, CW, 3-SPL, 97mm L, Spragg Clutch Type, Accurate)
4-310	STARTER DRIVE (10-T, CW, 3-SPL, 97mm L, Sgl. Roller Clutch Type, Accurate)
4-457	STARTER DRIVE (9-T, CW, 3-SPL, 97mm L, Dbl. Roller Clutch Type, Accurate)
4-479VN	STARTER DRIVE (10-T, CW, 3-SPL, 97mm L, Ratchet Clutch Type, Accurate)
4-482VN	STARTER DRIVE (12-T, CW, 3-SPL, 97mm L, Ratchet Clutch Type, Accurate)
4-494	STARTER DRIVE (12-T, CCW, 3-SPL, 97mm L, Ratchet Clutch Type, Accurate)
7-945	SOLENOID - 24V (4-Term., Insul. Base, Accurate)
7-951	SOLENOID - 12V (4-Term., Grd. Base, Accurate)
51-154	D.E. HOUSING (Cast Iron, .42 3-Ear Flg. Mtg.)
51-159	D.E. HOUSING (Cast Iron, 5/8 3-Ear Flg. Mtg.)
52-108	C.E. FRAME
53-102	LEVER HOUSING
54-109-1	STARTER DRIVE (9-T, CW, 3-SPL, 97mm L, Dbl. Roller Clutch Type)
54-112-4	STARTER DRIVE (12-T, CW, 3-SPL, 97mm L, Dbl. Roller Clutch Type)
54-113-1	STARTER DRIVE (10-T, CW, 3-SPL, 97mm L, Dbl. Roller Clutch Type)
54-137-2	STARTER DRIVE (10-T, CW, 3-SPL, 97mm L, Sgl. Roller Clutch Type)
54-138-2	STARTER DRIVE (10-T, CW, 3-SPL, 97mm L, Sgl. Roller Clutch Type)
55-107	SHIFT LEVER
55-1204	SHAFT - Shift Lever
55-1205	PIN - Plunger to Shift Lever
55-1301	BUTTON - Shift Lever
59-122	FIELD COIL - 12V, CW Rotation
59-122-3	FIELD COIL - 12V, CW Rotation
59-124	FIELD COIL - 24V, CW Rotation
59-124-3	FIELD COIL - 24V, CW Rotation
59-167	FIELD COIL - 12V, CCW Rotation
61-114	ARMATURE - 12-24V, CW Rotation (Ref# 1802)
62-1504	BUSHING - D.E. (Prefit, .5645 ID x .7520 OD x .750 L)
62-1504-1	BUSHING - D.E. (1X-Undersize, .5620 ID x .7520 OD x .750 L)
62-1505	BUSHING - C.E. (Prefit, .5642 ID x .6895 OD x .750 L)
62-1702	BUSHING - L.H. (Prefit, .7600 ID x .8925 OD x .750 L)
66-102	SOLENOID - 12V (4-Term., Grd. Base)
66-103	SOLENOID - 24V (4-Term., Insul. Base)
66-1603	PLUNGER - Soln.
66-1608	PLUNGER ASSEMBLY
68-104	BRUSH - 12V, Ref# R-87 (Concave Surface)
68-105	BRUSH - 12V, Ref# R-87S (Flat Surface)
68-123	BRUSH - 24V, Ref# R-66 (Concave Surface)
68-124	BRUSH - 24V, Ref# R-66S (Flat Surface)
69-1201	BRUSH HOLDER - Grd. (Late Style w/ Round Pivot Arm)
69-1201-1	BRUSH HOLDER - Grd. (Early Style w/ Pointed Pivot Arm)
69-1201-2	BRUSH HOLDER - Grd. (Universal Style w/ Short Pivot Arm)
69-1201-3	BRUSH HOLDER - Grd. (Late Style w/ Round Pivot Arm)
69-1202	BRUSH HOLDER - Insul. (8-32 Threaded, Phenolic)
69-1202-2	BRUSH HOLDER - Insul. (Unthreaded, Phenolic)

WAI No.	Description
69-1205	BRUSH HOLDER - Insul. Strs. (8-32 Threaded, Phenolic)
69-1501	PIN - Brush Holder
69-1505	SUPPORT - Brush Holder
69-1703	BRUSH SPRING
71-1101	GASKET - C.E. Frame to Field Case
71-1102	GASKET - D.E. Hsg. to L.H.
71-1306	BOOT - Solenoid Plunger
71-1315	INSULATOR - Field Coil Term. (3/8 ID)
71-1500	O-RING - Pole Shoe Screw (3/8 ID x 1/2 OD)
71-1501	O-RING - D.E. Screw, Thru Bolt (5/16 ID x 7/16 OD x 1/16 W)
71-1503	O-RING - L.H. to Field Frame
71-1703	OIL SEAL - L.H. (11/16 ID x 1/4 W)
72-1101	INSULATOR - Field Coil (1-1/2 W x 3 L)
72-1404	INSULATOR - Field Coil Term. (3/8 ID)
76-1252	CONNECTOR - Field Coil to Soln.
76-1301	RETAINER - Plunger Spring (1-13/64 ID)
76-1302	RETAINER - Plunger Spring (13/32 ID)
76-1304	CLIP - Shift Lever Pin
76-1602	GROUND LEAD - Brush (8-Gauge)
76-1701	SPRING - Plunger
76-1804	RETAINING RING - Stop Collar (1/2 ID)
76-1805	STOP COLLAR (14mm ID x 20mm OD)
76-1807	STOP COLLAR (14.3mm ID x 22.4mm OD)
76-1831	OIL WICK - D.E., C.E. (5/16 OD x 2-3/8 L)
76-1836	OIL WICK - L.H. (7/32 OD x 1-3/4 L)
76-1841	EXPANSION PLUG (5/8 Dia.)
76-1843	EXPANSION PLUG (1-3/16 Dia.)
76-1954	PIPE PLUG - Oil Reservoir, D.E., L.H., C.E.
79-1120	REPAIR KIT
84-1217	SCREW - Brush (8-32 x 3/4 L, Hex, Thd. Cut.)
84-1318	SCREW - Brush Support (10-24 x 3/4 L, Slotted)
84-1411	SCREW - Soln. Mtg. (1/4-20 x 5/16 L, Hex)
84-1423	SCREW - D.E. (5/16-18 x 2-1/2 L, Hex)
84-1424	THRU BOLT (5/16-18 x 7-3/4 L)
84-1502	SCREW - Pole Shoe (3/8-24 x 5/8 L, Phillips)
84-2200	HEX NUT - Soln. Term. (8-32 x 11/32 F x 1/8 T)
84-2308	HEX NUT - Brush Support (10-24 x 3/8 F x 1/8 T)
84-2500	HEX NUT - Batt., Motor Terms. (3/8-16 x 5/8 F x 5/32 T)
84-2503	HEX NUT - Batt., Motor Terms. (3/8-16 x 5/8 F x 1/4 T)
84-4201	LOCK WASHER - Soln. Term. (#8 ID, Split)
84-4309	LOCK WASHER - Brush Support (#10 ID, Split)
84-4402	LOCK WASHER - L.H., Thru-bolt (5/16 ID, Split)
84-4405	FLAT WASHER - Thru Bolt (5/16 ID)
84-4500	LOCK WASHER - Motor Term. (3/8 ID, Split)
84-4501	FLAT WASHER - Term. Stud (3/8 ID)
84-4610	THRUST WASHER - C.E. (9/16 ID x 1 OD, Steel)
84-4703	FLAT WASHER - Plunger (27/32 ID)
84-4710	SPACER - L.H. (3/4 ID x .122 T)
84-5902	SPLIT ROLL PIN - Field Case (3/16 OD x 3/8 L)
84-7500	INSULATING WASHER - Term. Stud (3/8 ID)
84-7706	BRAKE WASHER - L.H. (3/4 ID x 2 OD, Fiber)
84-8901	SNAP RING - Plunger (.338 ID x .025 T, Ext.)
D54-479	STARTER DRIVE (10-T, CW, 3-SPL, 97mm L, Dbl. Roller Clutch Type, Accurate)
D54-482	STARTER DRIVE (12-T, CW, 3-SPL, 97mm L, Dbl. Roller Clutch, Accurate)

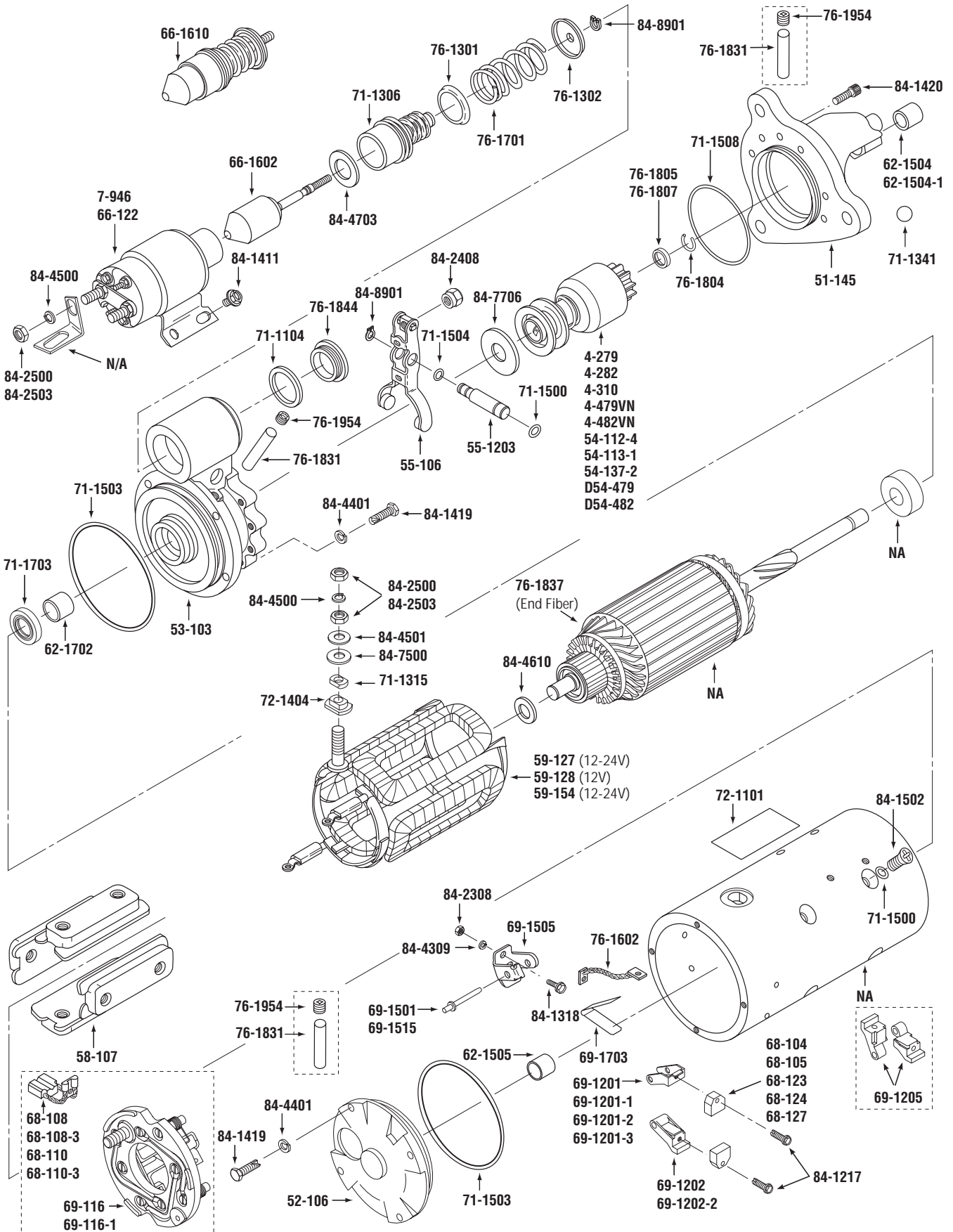


DELCO 30MT INTERNAL ROTATABLE



# DELCO 35MT SERIES, EXTERNAL ROTATABLE

DELCO 35MT EXTERNAL ROTATABLE



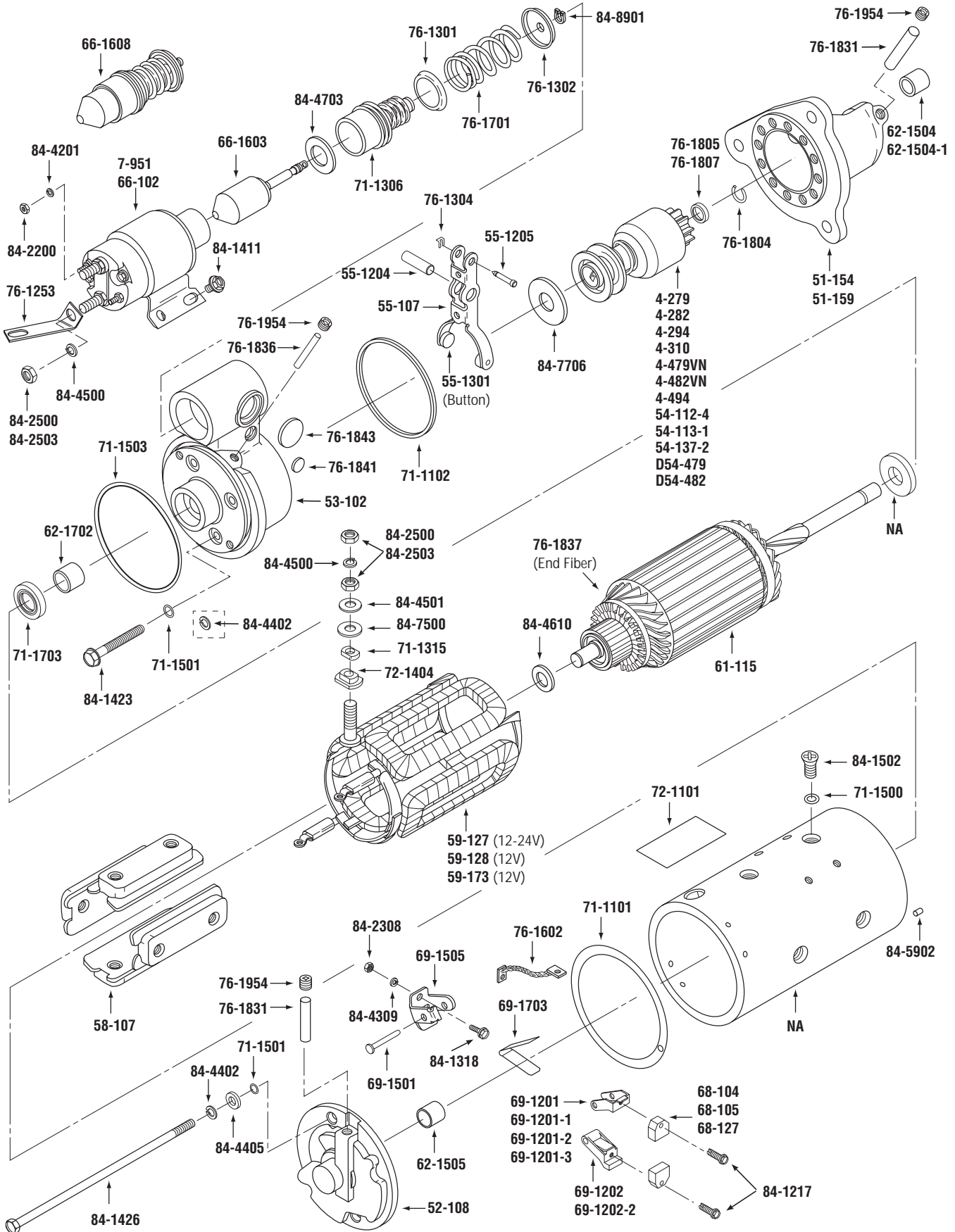
# DELCO 35MT SERIES, EXTERNAL ROTATABLE

WAI No.	Description	WAI No.	Description
4-279	STARTER DRIVE (10-T, CW, 3-SPL, 97mm L, Spragg Clutch Type, Accurate)	69-1205	BRUSH HOLDER - Insul. Strs. (8-32 Threaded, Phenolic)
4-282	STARTER DRIVE (12-T, CW, 3-SPL, 97mm L, Spragg Clutch Type, Accurate)	69-1501	PIN - Brush Holder
4-310	STARTER DRIVE (10-T, CW, 3-SPL, 97mm L, Sgl. Roller Clutch Type, Accurate)	69-1505	SUPPORT - Brush Holder
4-479VN	STARTER DRIVE (10-T, CW, 3-SPL, 97mm L, Ratchet Clutch Type, Accurate)	69-1515	PIN - Brush Holder (w/ Extension)
4-482VN	STARTER DRIVE (12-T, CW, 3-SPL, 97mm L, Ratchet Clutch Type, Accurate)	69-1703	BRUSH SPRING
7-946	SOLENOID - 12V (4-Term., Grd. Base, Accurate)	71-1104	GASKET - Inspection Plug
51-145	D.E. HOUSING (Cast Iron, 5/8 3-Ear Flg. Mtg.)	71-1306	BOOT - Solenoid Plunger
52-106	C.E. FRAME	71-1315	INSULATOR - Field Coil Term. (3/8 ID)
53-103	LEVER HOUSING	71-1341	PLUG - D.E. Mtg. Holes (3/8 Dia.)
54-112-4	STARTER DRIVE (12-T, CW, 3-SPL, 97mm L, Dbl. Roller Clutch Type)	71-1500	O-RING - Shift Lever, Pole Shoe Screw (3/8 ID x 1/2 OD)
54-113-1	STARTER DRIVE (10-T, CW, 3-SPL, 97mm L, Dbl. Roller Clutch Type)	71-1503	O-RING - L.H., C.E. Frame
54-137-2	STARTER DRIVE (10-T, CW, 3-SPL, 97mm L, Sgl. Roller Clutch Type)	71-1504	O-RING - Shift Lever
55-106	SHIFT LEVER (5/16 Dia. Plunger Rod Hole)	71-1508	O-RING - D.E. Hsg. to L.H. (3-1/4 ID x 3-1/2 OD)
55-1203	SHAFT - Shift Lever (1-21/32 L)	71-1703	OIL SEAL - L.H. (11/16 ID x 1/4 W)
58-107	POLE SHOE	72-1101	INSULATOR - Field Coil (1-1/2 W x 3 L)
59-127	FIELD COIL - 12-24V, CW Rotation (3/8-16 Term.)	72-1404	INSULATOR - Field Coil Term. (3/8 ID)
59-128	FIELD COIL - 12V, CW Rotation (3/8-16 Term.)	76-1301	RETAINER - Plunger Spring (1-13/64 ID)
59-154	FIELD COIL - 12-24V, CW Rotation (1/2-13 Term.)	76-1302	RETAINER - Plunger Spring (13/32 ID)
62-1504	BUSHING - D.E. (Prefit, .5645 ID x .7520 OD x .750 L)	76-1602	GROUND LEAD - Brush (8-Gauge)
62-1504-1	BUSHING - D.E. (1X-Undersize, .5620 ID x .7520 OD x .750 L)	76-1701	SPRING - Plunger
62-1505	BUSHING - C.E. (Prefit, .5642 ID x .6895 OD x .750 L)	76-1804	RETAINING RING - Stop Collar (1/2 ID)
62-1702	BUSHING - L.H. (Prefit, .7600 ID x .8925 OD x .750 L)	76-1805	STOP COLLAR (14mm ID x 20mm OD)
66-122	SOLENOID - 12V (4-Term., Grd. Base)	76-1807	STOP COLLAR (14.3mm ID x 22.4mm OD)
66-1602	PLUNGER - Soln. (5/16 Dia. Mtg. Shoulder)	76-1831	OIL WICK - D.E., C.E., L.H. (5/16 OD x 2-3/8 L)
66-1610	PLUNGER ASSEMBLY (w/ 66-1602 Plunger)	76-1837	END FIBER - Armature
68-104	BRUSH - 12V, Ref# R-87 (Concave Surface)	76-1844	INSPECTION PLUG - L.H.
68-105	BRUSH - 12V, Ref# R-87S (Flat Surface)	76-1954	PIPE PLUG - Oil Reservoir, D.E., L.H., C.E.
68-108	BRUSH - 12V, Ref# R-69, 8-Req.	84-1217	SCREW - Brush (8-32 x 3/4 L, Hex, Thd. Cut.)
68-108-3	BRUSH - 12V, Ref# R-69, 8-Req.	84-1318	SCREW - Brush Support (10-24 x 3/4 L, Slotted)
68-110	BRUSH - 24V, Ref# R-70, 8-Req.	84-1411	SCREW - Soln. Mtg. (1/4-20 x 5/16 L, Hex)
68-110-3	BRUSH - 24V, Ref# R-70, 8-Req.	84-1419	SCREW - C.E., L.H. (1/4-28 x 1 L, Hex, Thd. Cut.)
68-123	BRUSH - 24V, Ref# R-66 (Concave Surface)	84-1420	SCREW - D.E. Hsg. (1/4-28 x 7/8 L, Socket Head)
68-124	BRUSH - 24V, Ref# R-66S (Flat Surface)	84-1502	SCREW - Pole Shoe (3/8-24 x 5/8 L, Phillips)
68-127	BRUSH - 12V, Ref# R-102	84-2308	HEX NUT - Brush Support (10-24 x 3/8 F x 1/8 T)
69-116	BRUSH HOLDER ASSY.	84-2408	HEX NUT - Plunger (5/16-24 x 1/2 F x 7/16 T, Nylon Lock)
69-116-1	BRUSH HOLDER ASSY.	84-2500	HEX NUT - Batt., Motor Terms. (3/8-16 x 5/8 F x 5/32 T)
69-1201	BRUSH HOLDER - Grd. (Late Style w/ Round Pivot Arm)	84-2503	HEX NUT - Batt., Motor Terms. (3/8-16 x 5/8 F x 1/4 T)
69-1201-1	BRUSH HOLDER - Grd. (Early Style w/ Pointed Pivot Arm)	84-4309	LOCK WASHER - Brush Support (#10 ID, Split)
69-1201-2	BRUSH HOLDER - Grd. (Universal Style w/ Short Pivot Arm)	84-4401	LOCK WASHER - C.E., L.H. (1/4 ID, Split)
69-1201-3	BRUSH HOLDER - Grd. (Late Style w/ Round Pivot Arm)	84-4500	LOCK WASHER - Motor Term. (3/8 ID, Split)
69-1202	BRUSH HOLDER - Insul. (8-32 Threaded, Phenolic)	84-4501	FLAT WASHER - Term. Stud (3/8 ID)
69-1202-2	BRUSH HOLDER - Insul. (Unthreaded, Phenolic)	84-4610	THRUST WASHER - C.E. (9/16 ID x 1 OD, Steel)
		84-4703	FLAT WASHER - Plunger (27/32 ID)
		84-7500	INSULATING WASHER - Term. Stud (3/8 ID)
		84-7706	BRAKE WASHER - L.H. (3/4 ID x 2 OD, Fiber)
		84-8901	SNAP RING - Plunger, Shift Lever (.338 ID x .025 T, Ext.)
		D54-479	STARTER DRIVE (10-T, CW, 3-SPL, 97mm L, Dbl. Roller Clutch Type, Accurate)
		D54-482	STARTER DRIVE (12-T, CW, 3-SPL, 97mm L, Dbl. Roller Clutch, Accurate)

**DELCO 35MT EXTERNAL ROTATABLE**

# DELCO 35MT SERIES, INTERNAL ROTATABLE

DELCO 35MT INTERNAL ROTATABLE



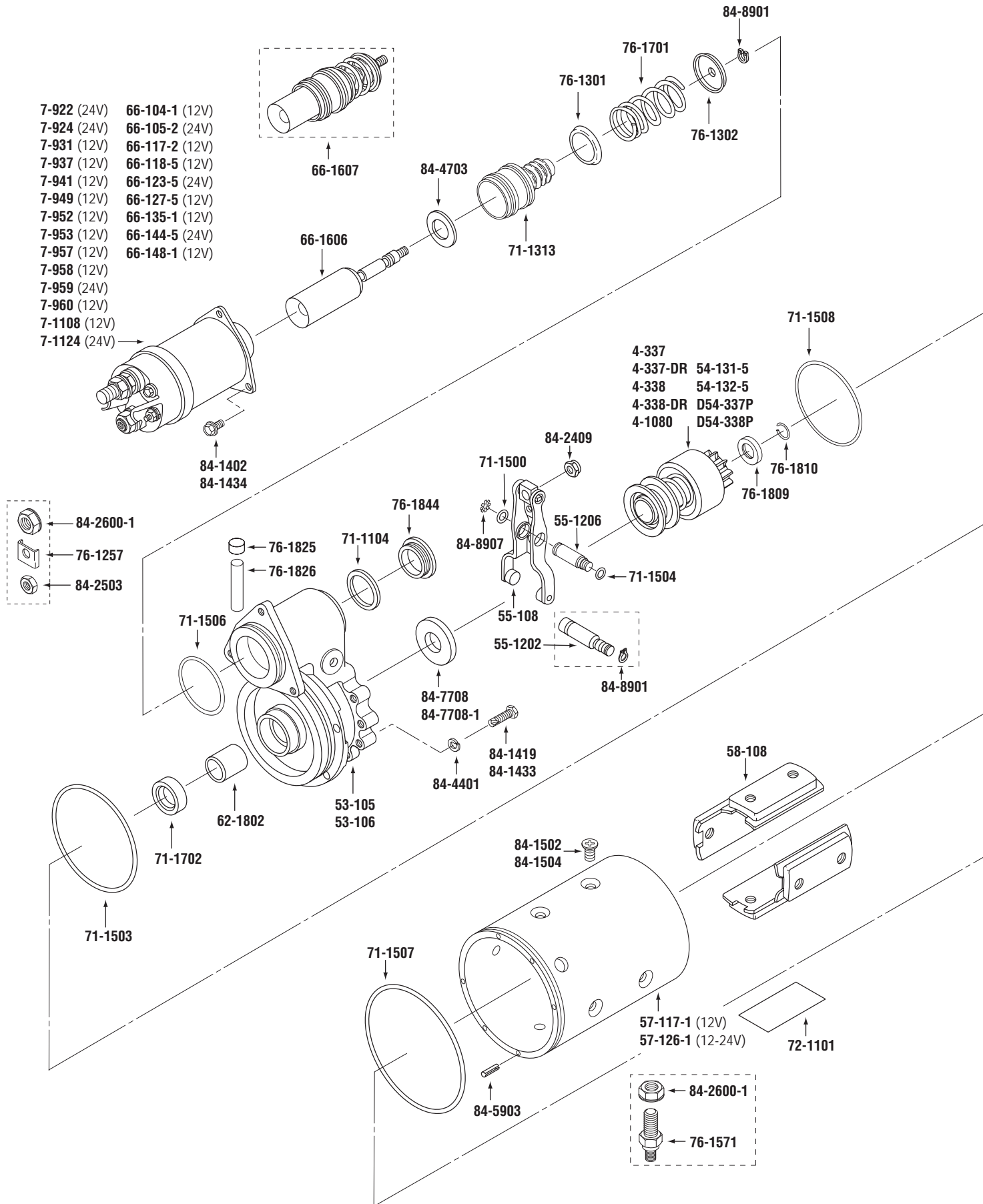
# DELCO 35MT SERIES, INTERNAL ROTATABLE

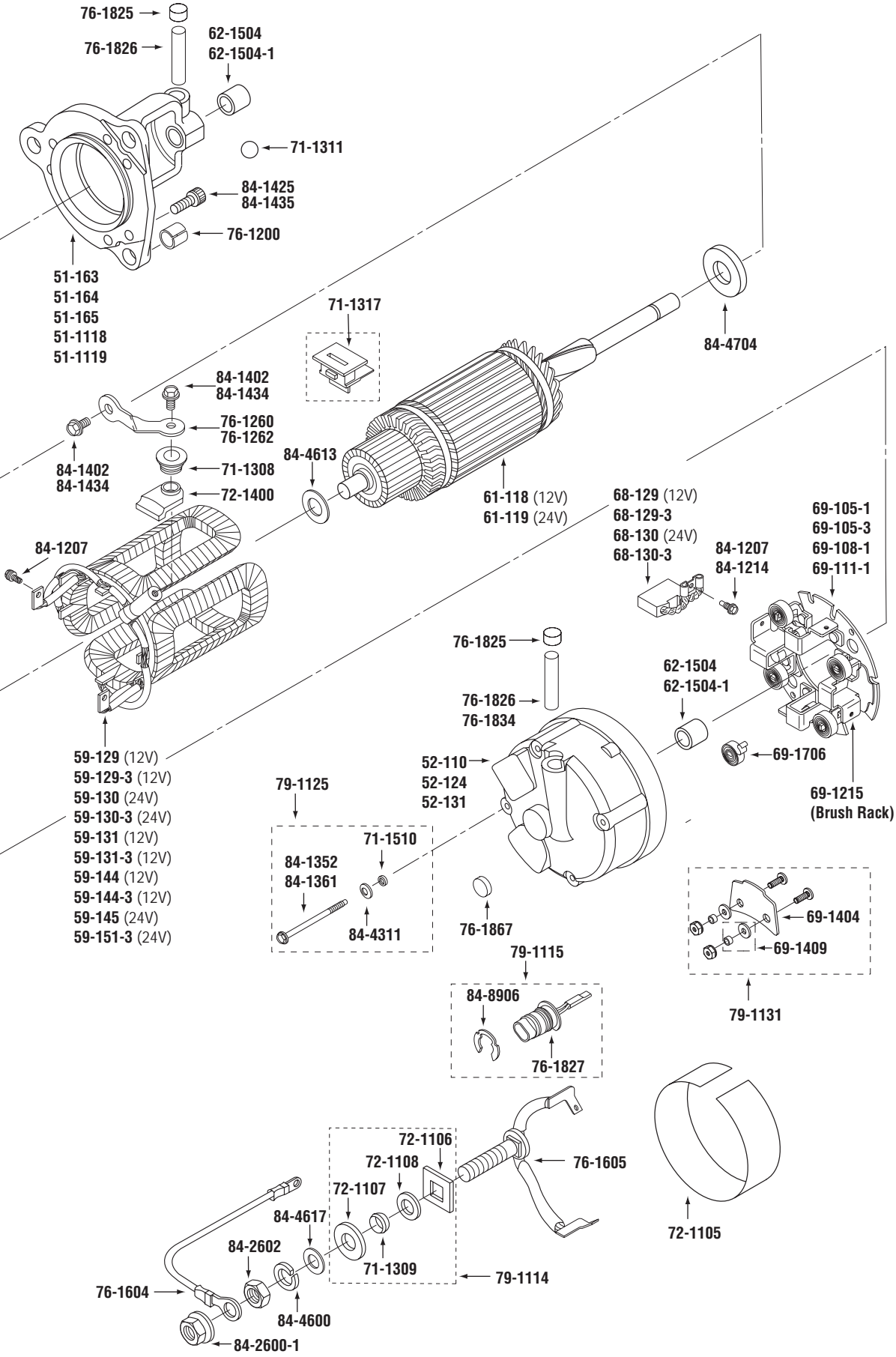
WAI No.	Description	WAI No.	Description
4-279	STARTER DRIVE (10-T, CW, 3-SPL, 97mm L, Spragg Clutch Type, Accurate)	69-1703	BRUSH SPRING
4-282	STARTER DRIVE (12-T, CW, 3-SPL, 97mm L, Spragg Clutch Type, Accurate)	71-1101	GASKET - C.E. Frame to Field Case
4-294	STARTER DRIVE (12-T, CCW, 3-SPL, 97mm L, Spragg Clutch Type, Accurate)	71-1102	GASKET - D.E. Hsg. to L.H.
4-310	STARTER DRIVE (10-T, CW, 3-SPL, 97mm L, Sgl. Roller Clutch Type, Accurate)	71-1306	BOOT - Solenoid Plunger
4-479VN	STARTER DRIVE (10-T, CW, 3-SPL, 97mm L, Ratchet Clutch Type, Accurate)	71-1315	INSULATOR - Field Coil Term. (3/8 ID)
4-482VN	STARTER DRIVE (12-T, CW, 3-SPL, 97mm L, Ratchet Clutch Type, Accurate)	71-1500	O-RING - Pole Shoe Screw (3/8 ID x 1/2 OD)
4-494	STARTER DRIVE (12-T, CCW, 3-SPL, 97mm L, Ratchet Clutch Type, Accurate)	71-1501	O-RING - D.E. Screw, Thru Bolt (5/16 ID x 7/16 OD x 1/16 W)
7-951	SOLENOID - 12V (4-Term., Grd. Base, Accurate)	71-1503	O-RING - L.H. to Field Frame
51-154	D.E. HOUSING (Cast Iron, .42 3-Ear Flg. Mtg.)	71-1703	OIL SEAL - L.H. (11/16 ID x 1/4 W)
51-159	D.E. HOUSING (Cast Iron, 5/8 3-Ear Flg. Mtg.)	72-1101	INSULATOR - Field Coil (1-1/2 W x 3 L)
52-108	C.E. FRAME	72-1404	INSULATOR - Field Coil Term. (3/8 ID)
53-102	LEVER HOUSING	76-1253	CONNECTOR - Field Coil to Soln.
54-112-4	STARTER DRIVE (12-T, CW, 3-SPL, 97mm L, Dbl. Roller Clutch Type)	76-1301	RETAINER - Plunger Spring (1-13/64 ID)
54-113-1	STARTER DRIVE (10-T, CW, 3-SPL, 97mm L, Dbl. Roller Clutch Type)	76-1302	RETAINER - Plunger Spring (13/32 ID)
54-137-2	STARTER DRIVE (10-T, CW, 3-SPL, 97mm L, Sgl. Roller Clutch Type)	76-1304	CLIP - Shift Lever Pin
55-107	SHIFT LEVER	76-1602	GROUND LEAD - Brush (8-Gauge)
55-1204	SHAFT - Shift Lever	76-1701	SPRING - Plunger
55-1205	PIN - Plunger to Shift Lever	76-1804	RETAINING RING - Stop Collar (1/2 ID)
55-1301	BUTTON - Shift Lever	76-1805	STOP COLLAR (14mm ID x 20mm OD)
58-107	POLE SHOE	76-1807	STOP COLLAR (14.3mm ID x 22.4mm OD)
59-127	FIELD COIL - 12V, CW Rotation (3/8-16 Term.)	76-1831	OIL WICK - D.E., C.E. (5/16 OD x 2-3/8 L)
59-128	FIELD COIL - 12V, CW Rotation (3/8-16 Term.)	76-1836	OIL WICK - L.H. (7/32 OD x 1-3/4 L)
59-173	FIELD COIL - 12V, CCW Rotation (3/8-16 Term.)	76-1837	END FIBER - Armature
61-115	ARMATURE - 12V, CW Rotation (Ref# 2080)	76-1841	EXPANSION PLUG (5/8 Dia.)
62-1504	BUSHING - D.E. (Prefit, .5645 ID x .7520 OD x .750 L)	76-1843	EXPANSION PLUG (1-3/16 Dia.)
62-1504-1	BUSHING - D.E. (1X-Undersize, .5620 ID x .7520 OD x .750 L)	76-1954	PIPE PLUG - Oil Reservoir, D.E., L.H., C.E.
62-1505	BUSHING - C.E. (Prefit, .5642 ID x .6895 OD x .750 L)	84-1217	SCREW - Brush (8-32 x 3/4 L, Hex, Thd. Cut.)
62-1702	BUSHING - L.H. (Prefit, .7600 ID x .8925 OD x .750 L)	84-1318	SCREW - Brush Support (10-24 x 3/4 L, Slotted)
66-102	SOLENOID - 12V (4-Term., Grd. Base)	84-1411	SCREW - Soln. Mtg. (1/4-20 x 5/16 L, Hex)
66-1603	PLUNGER - Soln.	84-1423	SCREW - D.E. (5/16-18 x 2-1/2 L, Hex)
66-1608	PLUNGER ASSEMBLY	84-1426	THRU BOLT (5/16-18 x 9-1/8 L)
68-104	BRUSH - 12V, Ref# R-87 (Concave Surface)	84-1502	SCREW - Pole Shoe (3/8-24 x 5/8 L, Phillips)
68-105	BRUSH - 12V, Ref# R-87S (Flat Surface)	84-2200	HEX NUT - Soln. Term. (8-32 x 11/32 F x 1/8 T)
68-127	BRUSH - 12V, Ref# R-102	84-2308	HEX NUT - Brush Support (10-24 x 3/8 F x 1/8 T)
69-1201	BRUSH HOLDER - Grd. (Late Style w/ Round Pivot Arm)	84-2500	HEX NUT - Batt., Motor Terms. (3/8-16 x 5/8 F x 5/32 T)
69-1201-1	BRUSH HOLDER - Grd. (Early Style w/ Pointed Pivot Arm)	84-2503	HEX NUT - Batt., Motor Terms. (3/8-16 x 5/8 F x 1/4 T)
69-1201-2	BRUSH HOLDER - Grd. (Universal Style w/ Short Pivot Arm)	84-4201	LOCK WASHER - Soln. Term. (#8 ID, Split)
69-1201-3	BRUSH HOLDER - Grd. (Late Style w/ Round Pivot Arm)	84-4309	LOCK WASHER - Brush Support (#10 ID, Split)
69-1202	BRUSH HOLDER - Insul. (8-32 Threaded, Phenolic)	84-4402	LOCK WASHER - L.H., Thru-bolt (5/16 ID, Split)
69-1202-2	BRUSH HOLDER - Insul. (Unthreaded, Phenolic)	84-4405	FLAT WASHER - Thru Bolt (5/16 ID)
69-1501	PIN - Brush Holder	84-4500	LOCK WASHER - Motor Term. (3/8 ID, Split)
69-1505	SUPPORT - Brush Holder	84-4501	FLAT WASHER - Term. Stud (3/8 ID)
		84-4610	THRUST WASHER - C.E. (9/16 ID x 1 OD, Steel)
		84-4703	FLAT WASHER - Plunger (27/32 ID)
		84-5902	SPLIT ROLL PIN - Field Case (3/16 OD x 3/8 L)
		84-7500	INSULATING WASHER - Term. Stud (3/8 ID)
		84-7706	BRAKE WASHER - L.H. (3/4 ID x 2 OD, Fiber)
		84-8901	SNAP RING - Plunger (.338 ID x .025 T, Ext.)
		D54-479	STARTER DRIVE (10-T, CW, 3-SPL, 97mm L, Dbl. Roller Clutch Type, Accurate)
		D54-482	STARTER DRIVE (12-T, CW, 3-SPL, 97mm L, Dbl. Roller Clutch, Accurate)

**DELCO 35MT INTERNAL ROTATABLE**

# DELCO 37MT SERIES

DELCO 37MT SERIES



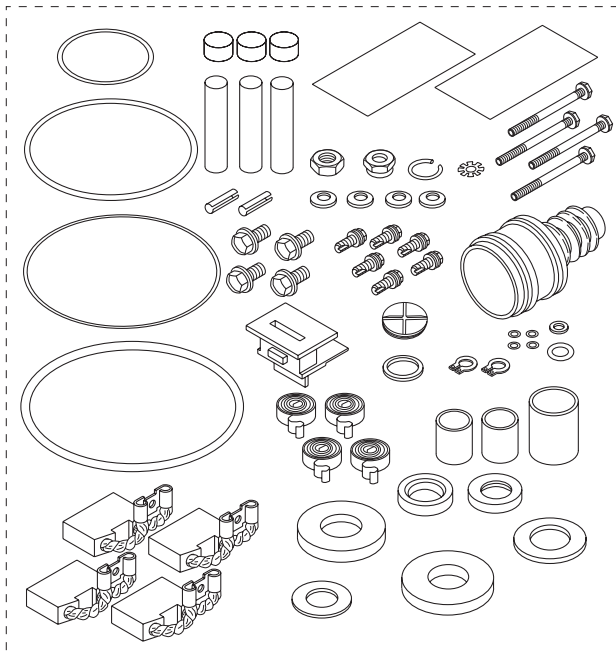


# DELCO 37MT SERIES (cont'd.)

<b>WAI No.</b>	<b>Description</b>	<b>WAI No.</b>	<b>Description</b>
<b>4-337</b>	STARTER DRIVE (10-T, CW, 3-SPL, Sgl. Roller Clutch Type, Accurate)	<b>59-131</b>	FIELD COIL - 12V, CW Rotation
<b>4-337-DR</b>	STARTER DRIVE (10-T, CW, 3-SPL, Dbl. Roller Clutch Type, Accurate)	<b>59-131-3</b>	FIELD COIL - 12V, CW Rotation
<b>4-338</b>	STARTER DRIVE (12-T, CW, 3-SPL, Sgl. Roller Clutch Type, Accurate)	<b>59-144</b>	FIELD COIL - 12V, CW Rotation
<b>4-338-DR</b>	STARTER DRIVE (12-T, CW, 3-SPL, Dbl. Roller Clutch Type, Accurate)	<b>59-144-3</b>	FIELD COIL - 12V, CW Rotation
<b>4-1080</b>	STARTER DRIVE - 41MT Conversion Drive (10-T, CW, 19-SPL, Positive Engagement Design, Accurate)	<b>59-145</b>	FIELD COIL - 24V, CW Rotation
<b>7-922</b>	SOLENOID - 24V (1/2 Batt., 1/2 Motor Terms., Insul. Base, RH S-Term., Accurate)	<b>59-151-3</b>	FIELD COIL - 24V, CW Rotation
<b>7-924</b>	SOLENOID - 24V (1/2 Batt., 1/2 Motor Terms., Grd. Base, RH S-Term., Accurate)	<b>61-118</b>	ARMATURE - 12V, CW Rotation
<b>7-931</b>	SOLENOID - 12V (1/2 Batt., 1/2 Motor Terms., Grd. Base, RH S-Term., Accurate)	<b>61-119</b>	ARMATURE - 24V, CW Rotation
<b>7-937</b>	SOLENOID - 12V (1/2 Batt., 3/8 Motor Terms., Grd. Base, RH S-Term., Accurate)	<b>62-1504</b>	BUSHING - D.E., C.E. (Prefit, .5645 ID x .7520 OD x .750 L)
<b>7-941</b>	SOLENOID - 12V (1/2 Batt., 1/2 Motor Terms., Grd. Base, LH S-Term., Accurate)	<b>62-1504-1</b>	BUSHING - D.E., C.E. (1X-Undersize, .5620 ID x .7520 OD x .750 L)
<b>7-949</b>	SOLENOID - 12V (3/8 Batt., 1/2 Motor Terms., Grd. Base, RH S-Term., Accurate)	<b>62-1802</b>	BUSHING - L.H. (Prefit, .8870 ID x 1.0090 OD x 1.000 L)
<b>7-952</b>	SOLENOID - 12V (3/8 Batt., 3/8 Motor Terms., Grd. Base, RH S-Term., Accurate)	<b>66-104-1</b>	SOLENOID - 12V (3/8 Batt., 3/8 Motor Terms., Grd. Base, RH S-Term.)
<b>7-953</b>	SOLENOID - 12V (1/2 Batt., 3/8 Motor Terms., Grd. Base, LH S-Term., Accurate)	<b>66-105-2</b>	SOLENOID - 24V (1/2 Batt., 1/2 Motor Terms., Insul. Base, RH S-Term.)
<b>7-957</b>	SOLENOID - 12V (1/2 Batt., 1/2 Motor Terms., Insul. Base, LH S-Term., Accurate)	<b>66-117-2</b>	SOLENOID - 12V (1/2 Batt., 1/2 Motor Terms., Grd. Base, RH S-Term.)
<b>7-958</b>	SOLENOID - 12V (1/2 Batt., 1/2 Motor Terms., Insul. Base, RH S-Term., Accurate)	<b>66-118-5</b>	SOLENOID - 12V (1/2 Batt., 1/2 Motor Terms., Grd. Base, LH S-Term.)
<b>7-959</b>	SOLENOID - 24V (1/2 Batt., 1/2 Motor Terms., Grd. Base, RH S-Term. Jump-Start Protection Cap, Accurate)	<b>66-123-5</b>	SOLENOID - 24V (1/2 Batt., 1/2 Motor Terms., Grd. Base, RH S-Term.)
<b>7-960</b>	SOLENOID - 12V (1/2 Batt., 1/2 Motor Terms., Grd. Base, RH S-Term., Jump-Start Protection Cap, Accurate)	<b>66-127-5</b>	SOLENOID - 12V (1/2 Batt., 1/2 Motor Terms., Insul. Base, RH S-Term., Accurate)
<b>7-1108</b>	SOLENOID - 12V (1/2 Batt., 1/2 Motor Terms., Insul. Base, RH S-Term. w/ 43mm L Batt. Term., Accurate)	<b>66-135-1</b>	SOLENOID - 12V (1/2 Batt., 1/2 Motor Terms., Insul. Base, RH S-Term. w/ 43mm L Batt. Term.)
<b>7-1124</b>	SOLENOID - 24V (1/2 Batt., 1/2 Motor Terms., Insul. Base, RH S-Term., Accurate)	<b>66-144-5</b>	SOLENOID - 24V (1/2 Batt., 1/2 Motor Terms., Grd. Base, RH S-Term. Jump-Start Protection Cap)
<b>51-163</b>	D.E. HOUSING (Cast Iron, .42 3-Ear Flg. Mtg.)	<b>66-148-1</b>	SOLENOID - 12V (1/2 Batt., 1/2 Motor Terms., Grd. Base, RH S-Term., Jump-Start Protection Cap)
<b>51-164</b>	D.E. HOUSING (Cast Iron, 5/8 3-Ear Flg. Mtg.)	<b>66-1606</b>	PLUNGER - Solenoid
<b>51-165</b>	D.E. HOUSING (Cast Iron, 5/8 3-Ear Flg. Mtg.)	<b>66-1607</b>	PLUNGER ASSEMBLY
<b>51-1118</b>	D.E. HOUSING (Cast Iron, 3/8 3-Ear Flg. Mtg.)	<b>68-129</b>	BRUSH - 12V, Ref# R-135
<b>51-1119</b>	D.E. HOUSING (Cast Iron, 3/8 3-Ear Flg. Mtg.)	<b>68-129-3</b>	BRUSH - 12V, Ref# R-135
<b>52-110</b>	C.E. FRAME - 12V, Early Type (w/ Slot for F.C. Term.)	<b>68-130</b>	BRUSH - 24V, Ref# R-135H
<b>52-124</b>	C.E. FRAME - 12-24V (wo/ C.E. Terminal Hole)	<b>68-130-3</b>	BRUSH - 24V, Ref# R-135H
<b>52-131</b>	C.E. FRAME - 12-24V (w/ C.E. Terminal Hole)	<b>69-105-1</b>	BRUSH HOLDER ASSY. - Early Type, 12-24V (wo/ 4-Brushes)
<b>53-105</b>	LEVER HOUSING	<b>69-105-3</b>	BRUSH HOLDER ASSY. - Early Type, 12-24V (wo/ 4-Brushes)
<b>53-106</b>	LEVER HOUSING	<b>69-108-1</b>	BRUSH HOLDER ASSY. - Late Type, 12-24V (wo/ 4-Brushes, Grounded Base)
<b>54-131-5</b>	STARTER DRIVE (10-T, CW, 3-SPL, Dbl. Roller Clutch Type)	<b>69-111-1</b>	BRUSH HOLDER ASSY. - Late Type, 12-24V (wo/ 4-Brushes, Insulated Base)
<b>54-132-5</b>	STARTER DRIVE (12-T, CW, 3-SPL, Sgl. Roller Clutch Type)	<b>69-1215</b>	BRUSH RACK - Brush Holder
<b>55-108</b>	SHIFT LEVER	<b>69-1404</b>	INSULATOR - Brush Holder
<b>55-1202</b>	SHAFT - Shift Lever (2-9/32 L)	<b>69-1409</b>	INSULATOR - Brush Holder
<b>55-1206</b>	SHAFT - Shift Lever (1-11/16 L)	<b>69-1706</b>	BRUSH SPRING
<b>57-117-1</b>	FIELD CASE - 12V, Early Type w/ Fld. Coil Term. thru C.E. Frame	<b>71-1104</b>	GASKET - Inspection Plug
<b>57-126-1</b>	FIELD CASE - 12-24V, Late Type w/ Fld. Coil Term. thru Fld. Case	<b>71-1308</b>	GROMMET - Field Coil Term. (Outside)
<b>58-108</b>	POLE SHOE - CW Rotation	<b>71-1309</b>	INSULATOR - C.E. Term. (Rubber)
<b>59-129</b>	FIELD COIL - 12V, CW Rotation	<b>71-1311</b>	PLUG - D.E. Mtg. Holes
<b>59-129-3</b>	FIELD COIL - 12V, CW Rotation	<b>71-1313</b>	BOOT - Solenoid Plunger
<b>59-130</b>	FIELD COIL - 24V, CW Rotation	<b>71-1317</b>	GROMMET - Motor Lead, Early 12V
<b>59-130-3</b>	FIELD COIL - 24V, CW Rotation	<b>71-1500</b>	O-RING - Shift Lever (3/8 ID x 1/2 OD)
		<b>71-1503</b>	O-RING - L.H. to Field Frame
		<b>71-1504</b>	O-RING - Shift Lever
		<b>71-1506</b>	O-RING - L.H. to Soln.
		<b>71-1507</b>	O-RING - Field Case to C.E. Frame
		<b>71-1508</b>	O-RING - D.E. Hsg. to L.H. (3-1/4 ID x 3-1/2 OD)
		<b>71-1510</b>	O-RING - C.E. Frame Screw
		<b>71-1702</b>	OIL SEAL - L.H.

WAI No.	Description	WAI No.	Description
72-1101	INSULATOR - Field Coil (1-1/2 W x 3 L)	84-1207	SCREW - Brush Holder (8-32 x 1/2 L, Hex, Thd. Cut.)
72-1105	INSULATOR - Field Coil (1-1/2 W x 13-1/2 L)	84-1214	SCREW - Brush (8-32 x 1/2 L, Slotted Hex)
72-1106	INSULATOR - C.E. Term.	84-1352	THRU BOLT - C.E. Frame (10-32 x 2-1/4 L)
72-1107	INSULATOR - C.E. Term.	84-1361	THRU BOLT - C.E. Frame (10-32 x 2-1/4 L, E8 Torx)
72-1108	INSULATOR - C.E. Term.	84-1402	SCREW - Soln. Mtg., Field Coil to Solenoid Connector (1/4-20 x 1/2 L, Hex)
72-1400	INSULATOR - Field Coil Term.	84-1419	SCREW - L.H. (1/4-28 x 1 L, Hex, Thd. Cut.)
76-1200	REDUCING BUSHING (Reduces 5/8 Dia. Mtg. Hole to 1/2 Dia.)	84-1425	SCREW - D.E. Hsg. (5/16-18 x 7/8 L, Socket Head)
76-1257	RETAINER - Motor Term., used to secure 59-129 Field Coil Term. (3/8 ID)	84-1433	SCREW - L.H. (1/4-28 x 1 L, E8 Torx, Thd. Cut.)
76-1260	CONNECTOR - Field Coil to Soln., 24V (1/2 Dia. Hole)	84-1434	SCREW - Soln. Mtg., Field Coil to Solenoid Connector (1/4-20 x 1/2 L, E8 Torx)
76-1262	CONNECTOR - Field Coil to Soln., 12-24V (1/4 Dia. Hole)	84-1435	SCREW - D.E. Hsg. (5/16-18 x 7/8 L, T45 Torx)
76-1301	RETAINER - Plunger Spring (1-13/64 ID)	84-1502	SCREW - Pole Shoe (3/8-24 x 5/8 L, Phillips)
76-1302	RETAINER - Plunger Spring (13/32 ID)	84-1504	SCREW - Pole Shoe (3/8-24 x 11/16 L, T40 Torx)
76-1571	GROUND TERMINAL - Field Case	84-2409	HEX NUT - Plunger (5/16-24 x 1/2 F x 1/4 T, Nylon Lock)
76-1604	WIRE LEAD - C.E. Term. to Soln.	84-2503	HEX NUT - Batt., Motor Terms. (3/8-16 x 5/8 F x 1/4 T)
76-1605	C.E. TERMINAL ASSY.	84-2600-1	HEX NUT - C.E. Term. (1/2-13 x 3/4 F x 7/16 T)
76-1701	SPRING - Plunger	84-2602	HEX NUT - C.E. Term. (1/2-13 x 3/4 F x 5/16 T)
76-1809	STOP COLLAR	84-4311	CONICAL WASHER - Thru Bolt (#10 ID)
76-1810	RETAINING RING - Stop Collar	84-4401	LOCK WASHER - L.H. (1/4 ID, Split)
76-1825	PLUG - Oil Reservoir, D.E., L.H., C.E.	84-4600	LOCK WASHER - C.E. Term. (1/2 ID, Split)
76-1826	OIL WICK - D.E., L.H., C.E. (7/16 OD)	84-4613	THRUST WASHER - C.E. (9/16 ID x 1-3/16 OD, Steel)
76-1827	THERMOSTAT (w/ O-Ring)	84-4617	FLAT WASHER - C.E. Term. (1/2 ID)
76-1834	OIL WICK - C.E. (1/2 OD x 2-1/4 L)	84-4703	FLAT WASHER - Plunger (27/32 ID)
76-1844	INSPECTION PLUG - L.H.	84-4704	SPACER - L.H. (7/8 ID x .192 T)
76-1867	PLUG - Plugs Thermostat Hole in C.E. Frame when not used	84-5903	SPLIT ROLL PIN - Field Case (3/16 OD x 7/8 L)
79-1114	INSULATOR KIT - C.E. Term.	84-7708	BRAKE WASHER - L.H. (15/16 ID x 2-1/8 OD, Cork/Rubber)
79-1115	THERMOSTAT KIT	84-7708-1	BRAKE WASHER - L.H. (15/16 ID x 2-1/8 OD, Fiber)
79-1123	REPAIR KIT - 12V, Early Type Strs. w/ F.C. Term. thru C.E. Frame	84-8901	SNAP RING - Plunger, Shift Lever (.338 ID x .025 T, Ext.)
79-1124	REPAIR KIT - 24V, Early Type Strs. w/ Shunt Term. thru Fld. Case	84-8906	RETAINER - Thermostat (.6 ID x .060 T)
79-1125	THRU BOLT - C.E. Frame (10-32 x 2-1/8, Hex, incl. Seal & Washer)	84-8907	RETAINER - Shift Lever Shaft (.257 ID x 1/2 OD x .012 T)
79-1127	REPAIR KIT - 12V, Late Type Strs. w/ F.C. Term. thru Fld. Case	D54-337P	STARTER DRIVE (10-T, CW, 3-SPL, Ratchet Clutch Type, Accurate)
79-1128	REPAIR KIT - 24V, Late Type Strs. wo/ Shunt Term. thru Fld. Case	D54-338P	STARTER DRIVE (12-T, CW, 3-SPL, Ratchet Clutch Type, Accurate)
79-1131	INSULATOR KIT - Brush Holder		

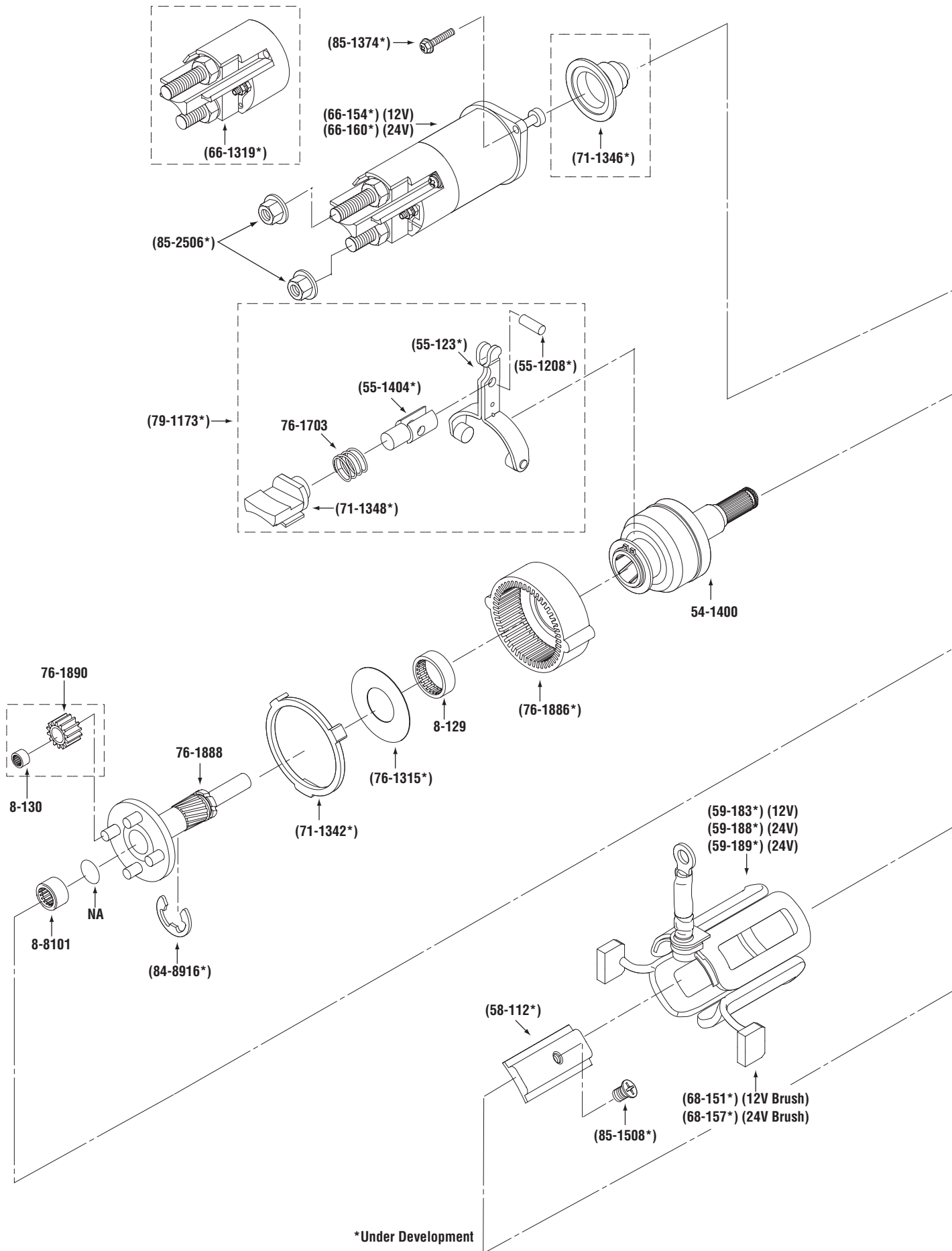
**79-1123** (12V, Early Type) →  
**79-1124** (24V, Early Type)  
**79-1127** (12V, Late Type)  
**79-1128** (24V, Late Type)



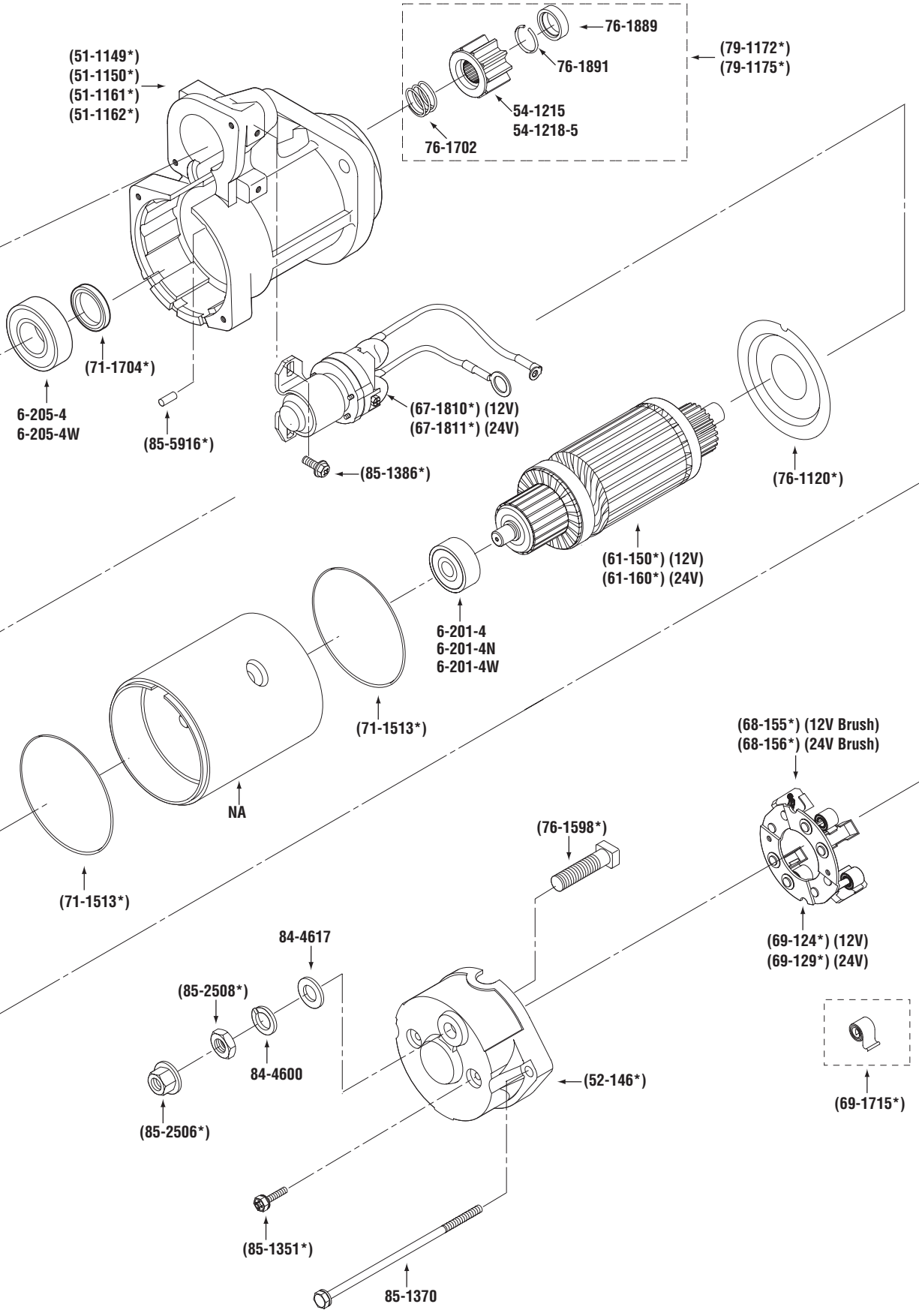


# DELCO 38MT SERIES

DELCO 38MT SERIES



\*Under Development



# DELCO 38MT SERIES (cont'd.)

<b>WAI No.</b>	<b>Description</b>
<b>6-201-4</b>	BALL BEARING - Armature, C.E., Ref# 6201 (Dbl. Sealed)
<b>6-201-4N</b>	BALL BEARING - Armature, C.E., Ref# 6201 (Dbl. Sealed, NTN)
<b>6-201-4W</b>	BALL BEARING - Armature, C.E., Ref# 6201 (Dbl. Sealed, WBD)
<b>6-205-4</b>	BALL BEARING - D.E., Ref# 6205 (Dbl. Sealed)
<b>6-205-4W</b>	BALL BEARING - D.E., Ref# 6205 (Dbl. Sealed, WBD)
<b>8-129</b>	NEEDLE BEARING - Stationary Gear (30mm ID x 37.0mm OD x 11.9mm W)
<b>8-130</b>	NEEDLE BEARING - Planetary Gear (9mm ID x 13mm OD x 12mm W)
<b>8-8101</b>	NEEDLE BEARING - Planetary Shaft (15mm ID x 21mm OD x 12mm W)
<b>51-1149*</b>	D.E. HOUSING - Lester 6807
<b>51-1150*</b>	D.E. HOUSING - Lester 6808
<b>51-1161*</b>	D.E. HOUSING - Lester 6833
<b>51-1162*</b>	D.E. HOUSING - Lester 6832
<b>52-146*</b>	C.E. FRAME
<b>54-1215</b>	PINION GEAR (10-T, CW)
<b>54-1218-5</b>	PINION GEAR (12-T, CW)
<b>54-1400</b>	CLUTCH
<b>55-123*</b>	SHIFT LEVER
<b>55-1208*</b>	SHAFT - Shift Lever
<b>55-1404*</b>	SUPPORT - Shift Lever
<b>58-112*</b>	POLE SHOE
<b>59-183*</b>	FIELD COIL - 12V
<b>59-188*</b>	FIELD COIL - 24V
<b>59-189*</b>	FIELD COIL - 24V
<b>61-150*</b>	ARMATURE - 12V
<b>61-160*</b>	ARMATURE - 24V
<b>66-154*</b>	SOLENOID - 12V
<b>66-160*</b>	SOLENOID - 24V
<b>66-1319*</b>	SOLENOID CAP ASSY.
<b>67-1810*</b>	RELAY SWITCH - 12V
<b>67-1811*</b>	RELAY SWITCH - 24V

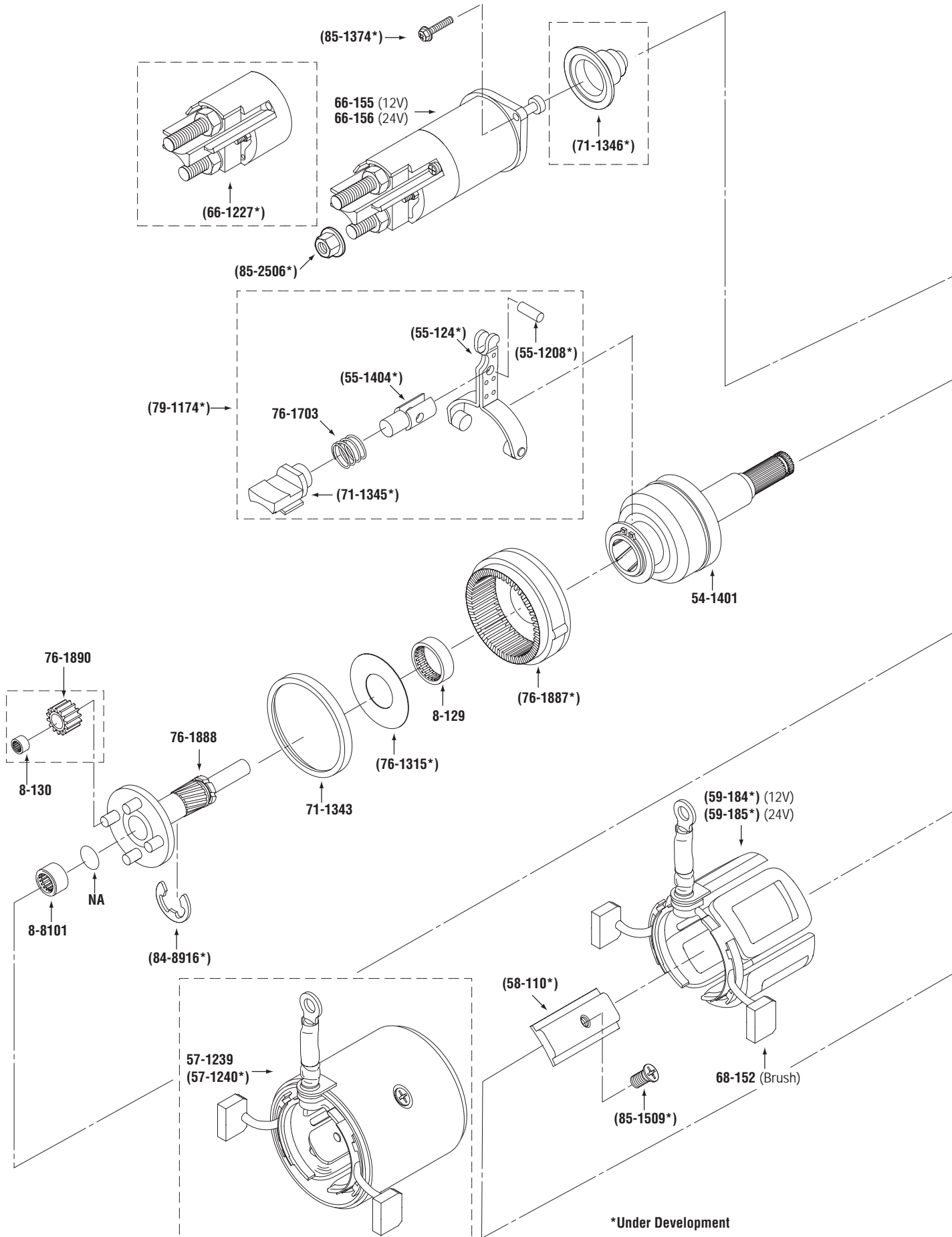
\*Under Development

<b>WAI No.</b>	<b>Description</b>
<b>68-151*</b>	BRUSH - 12V
<b>68-155*</b>	BRUSH - 12V
<b>68-156*</b>	BRUSH - 24V
<b>68-157*</b>	BRUSH - 24V
<b>69-124*</b>	BRUSH HOLDER ASSY. - 12V
<b>69-129*</b>	BRUSH HOLDER ASSY. - 24V
<b>69-1715*</b>	BRUSH SPRING
<b>71-1342*</b>	SEAL - Stationary Gear
<b>71-1346*</b>	BOOT - Solenoid Plunger
<b>71-1348*</b>	PLUG - Shift Lever
<b>71-1513*</b>	O-RING - Field Case
<b>71-1704*</b>	SEAL - D.E. Housing
<b>76-1120*</b>	COVER - Stationary Gear
<b>76-1315*</b>	SPACER - Stationary Gear
<b>76-1598*</b>	GROUND TERMINAL - C.E. Frame
<b>76-1702</b>	SPRING - Pinion Gear
<b>76-1703</b>	SPRING - Shift Lever Return
<b>76-1886*</b>	STATIONARY GEAR
<b>76-1888</b>	PLANETARY SHAFT
<b>76-1889</b>	STOP COLLAR
<b>76-1890</b>	PLANETARY GEAR (14-T, 24mm Gear OD)
<b>76-1891</b>	RETAINING RING
<b>79-1172*</b>	PINION KIT - 54-1218-5 Pinion Gear (12-T, CW)
<b>79-1173*</b>	SHIFT LEVER KIT
<b>79-1175*</b>	PINION KIT - 54-1215 Pinion Gear (10-T, CW)
<b>84-4600</b>	LOCK WASHER - C.E. Term. (1/2 ID, Split)
<b>84-4617</b>	FLAT WASHER - C.E. Term. (1/2 ID)
<b>84-8916*</b>	RETAINER - Planetary Shaft
<b>85-1351</b>	SCREW - Brush Holder (M5 x 0.8 x 22mm L)
<b>85-1370</b>	THRU BOLT (M6 x 1.0 x 155mm L)
<b>85-1374*</b>	SCREW - Solenoid (M6 x 1.0 x 24mm L)
<b>85-1386*</b>	SCREW - Relay Switch (M6 x 1.0 x 12mm L)
<b>85-1508*</b>	SCREW - Pole Shoe (M10 x 1.5 x 13mm)
<b>85-2506*</b>	HEX NUT - C.E. Term., Solenoid (M12 x 1.75 x 19mm F)
<b>85-2508</b>	HEX NUT - C.E. Term. (M12 x 1.75 x 19mm F)
<b>85-5916*</b>	PIN - D.E. Hsg.

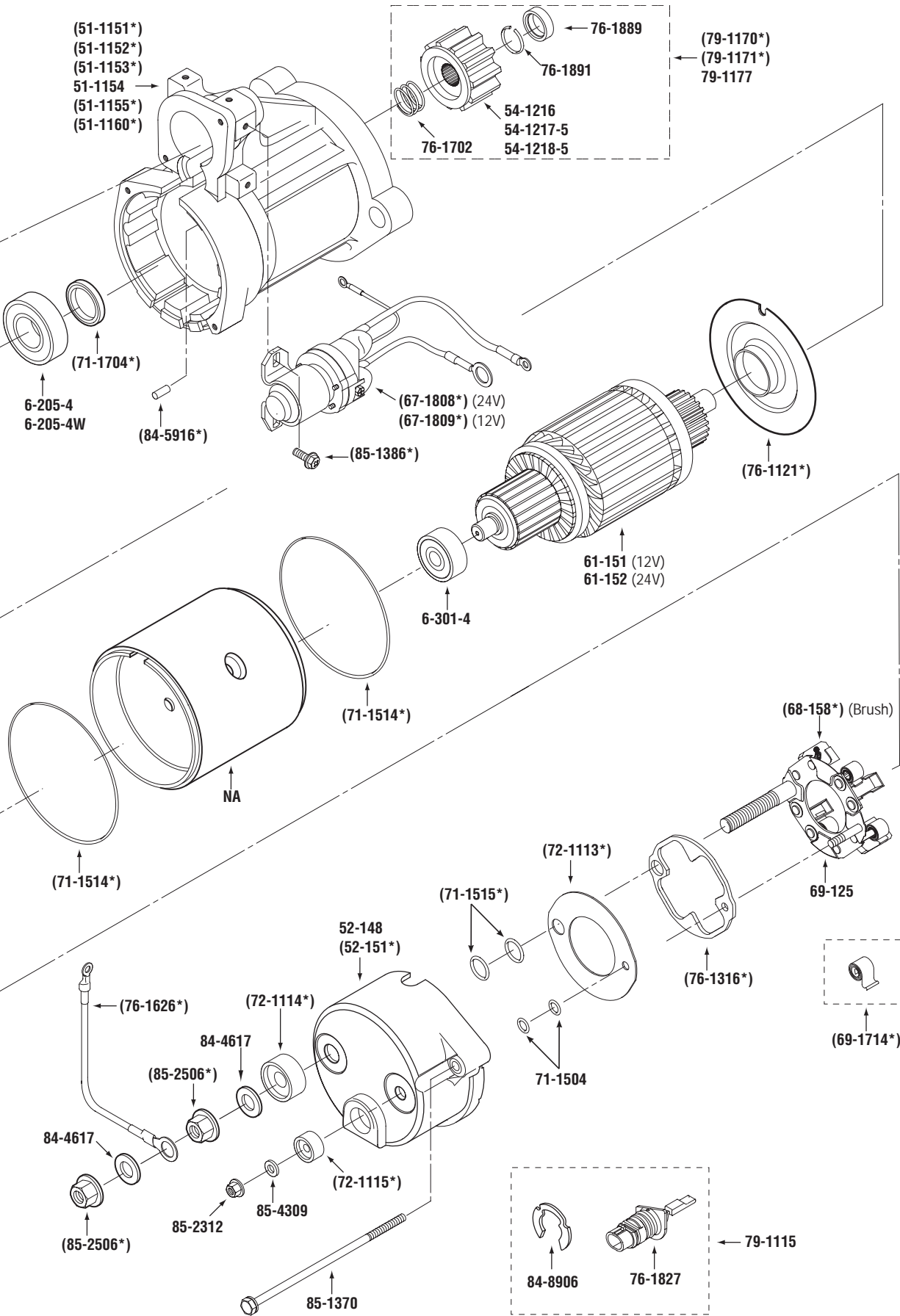


# DELCO 39MT SERIES

DELCO 39MT SERIES



\*Under Development



# DELCO 39MT SERIES (cont'd.)

<b>WAI No.</b>	<b>Description</b>	<b>WAI No.</b>	<b>Description</b>
6-205-4	BALL BEARING - D.E. (Dbl. Sealed)	69-1714*	BRUSH SPRING
6-205-4W	BALL BEARING - D.E. (Dbl. Sealed, WBD)	71-1343	SEAL - Stationary Gear
6-301-4	BALL BEARING - C.E. (Dbl. Sealed)	71-1345*	PLUG - Shift Lever
8-129	NEEDLE BEARING - Stationary Gear (30mm ID x 37.0mm OD x 11.9mm W)	71-1346*	BOOT - Solenoid Plunger
8-130	NEEDLE BEARING - Planetary Gear (9mm ID x 13mm OD x 12mm W)	71-1504	O-RING - C.E. Term.
8-8101	NEEDLE BEARING - Planetary Shaft (15mm ID x 21mm OD x 12mm W)	71-1514*	O-RING - Field Case
51-1151*	D.E. HOUSING - Lester 6805, 6818	71-1515*	O-RING - C.E. Frame
51-1152*	D.E. HOUSING - Lester 6804, 6806, 6819	71-1704*	SEAL - D.E. Housing
51-1153*	D.E. HOUSING - Lester 6853	72-1113*	INSULATOR - Brush Holder
51-1154	D.E. HOUSING - Lester 6813	72-1114*	INSULATOR - C.E. Frame
51-1155*	D.E. HOUSING - Lester 6802, 6812	72-1115*	INSULATOR - C.E. Frame
51-1160*	D.E. HOUSING - Lester 6814, 6822	76-1121*	COVER - Stationary Gear
52-148	C.E. FRAME	76-1315*	SPACER - Stationary Gear
52-151*	C.E. FRAME	76-1316*	SPACER - C.E. Frame
54-1216	PINION GEAR (12-T, CW)	76-1626*	WIRE LEAD - Grd. Term. to Soln.
54-1217-5	PINION GEAR (11-T, CW)	76-1702	SPRING - Pinion Gear
54-1218-5	PINION GEAR (12-T, CW)	76-1703	SPRING - Shift Lever Return
54-1401	CLUTCH	76-1827	THERMOSTAT (w/ O-Ring)
55-124*	SHIFT LEVER	76-1887*	STATIONARY GEAR
55-1208*	SHAFT - Shift Lever	76-1888	PLANETARY SHAFT
55-1404*	SUPPORT - Shift Lever	76-1889	STOP COLLAR
57-1239	FIELD CASE ASSY. - 12V	76-1890	PLANETARY GEAR (14-T, 24mm Gear OD)
57-1240*	FIELD CASE ASSY. - 12V	76-1891	RETAINING RING
58-110*	POLE SHOE	79-1115	THERMOSTAT KIT
59-184*	FIELD COIL - 12V	79-1170*	PINION KIT - 54-1218-5 Pinion Gear (12-T, CW)
59-185*	FIELD COIL - 24V	79-1171*	PINION KIT - 54-1216 Pinion Gear (12-T, CW)
61-151	ARMATURE - 12V	79-1174*	SHIFT LEVER KIT
61-152	ARMATURE - 24V	79-1177	PINION KIT - 54-1217-5 Pinion Gear (11-T, CW)
66-155	SOLENOID - 12V	84-4617	FLAT WASHER - C.E. Term. (1/2 ID)
66-156	SOLENOID - 24V	84-5916*	PIN - D.E. Hsg.
66-1227*	SOLENOID CAP ASSY.	84-8906	RETAINER - Thermostat (.6 ID x .060 T)
67-1808*	RELAY SWITCH - 24V	84-8916*	RETAINER - Planetary Shaft
67-1809*	RELAY SWITCH - 12V	85-1370	THRU BOLT (M6 x 1.0 x 155mm L)
68-152	BRUSH - fld., 12-24V	85-1374*	SCREW - Solenoid (M6 x 1.0 x 24mm L)
68-158*	BRUSH - Grd., 12-24V	85-1386*	SCREW - Relay Switch (M6 x 1.0 x 12mm L)
69-125	BRUSH HOLDER ASSY. - 12-24V	85-1509*	SCREW - Pole Shoe (M10 x 1.5 x 11mm)
		85-2312	HEX NUT - C.E. Term. (M6 x 1.0 x 10mm F)
		85-2506*	HEX NUT - C.E. Term., Solenoid (M12 x 1.75 x 19mm F)
		85-4309	FLAT WASHER - C.E. Term. (6mm ID)

\*Under Development

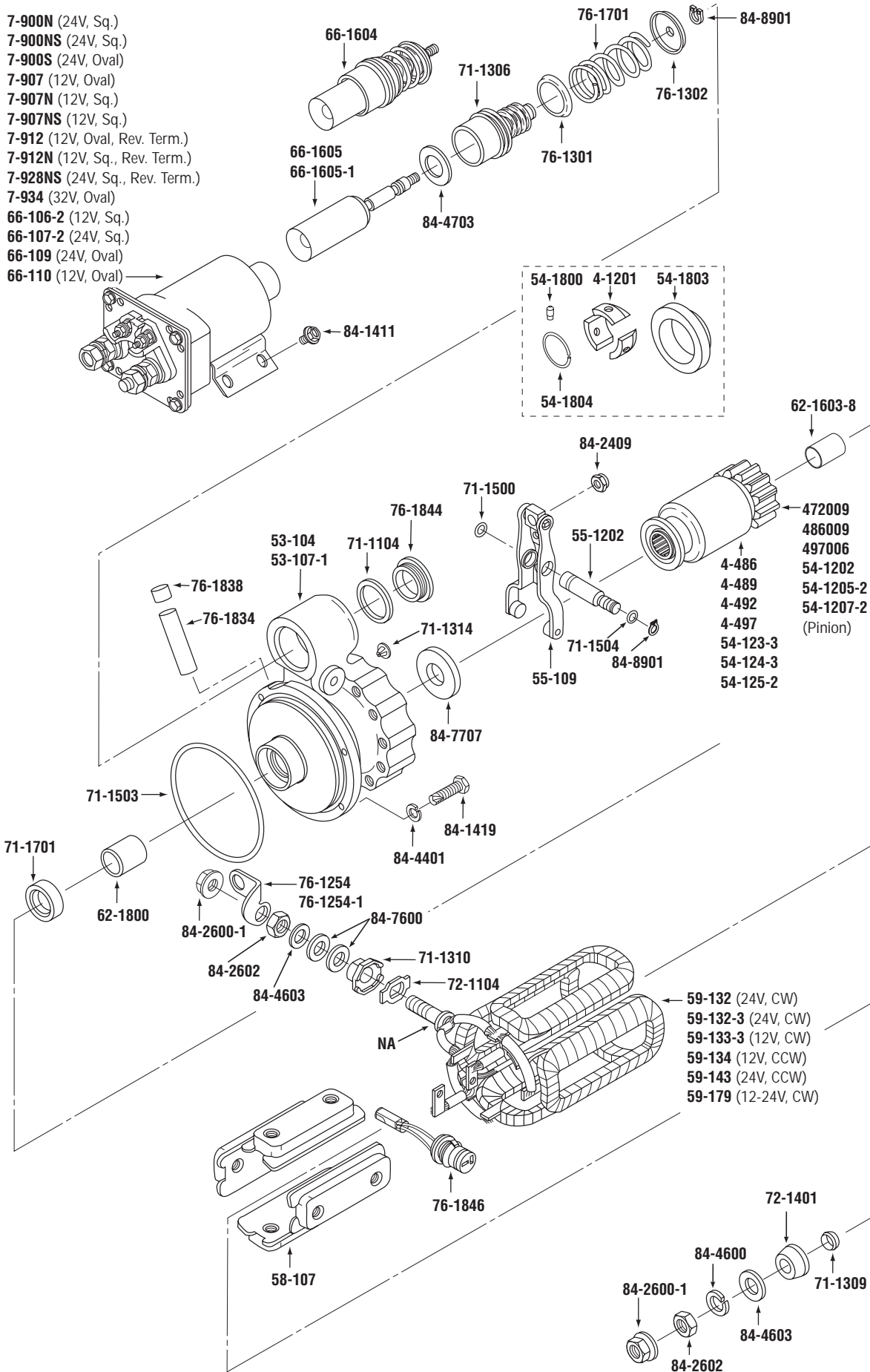


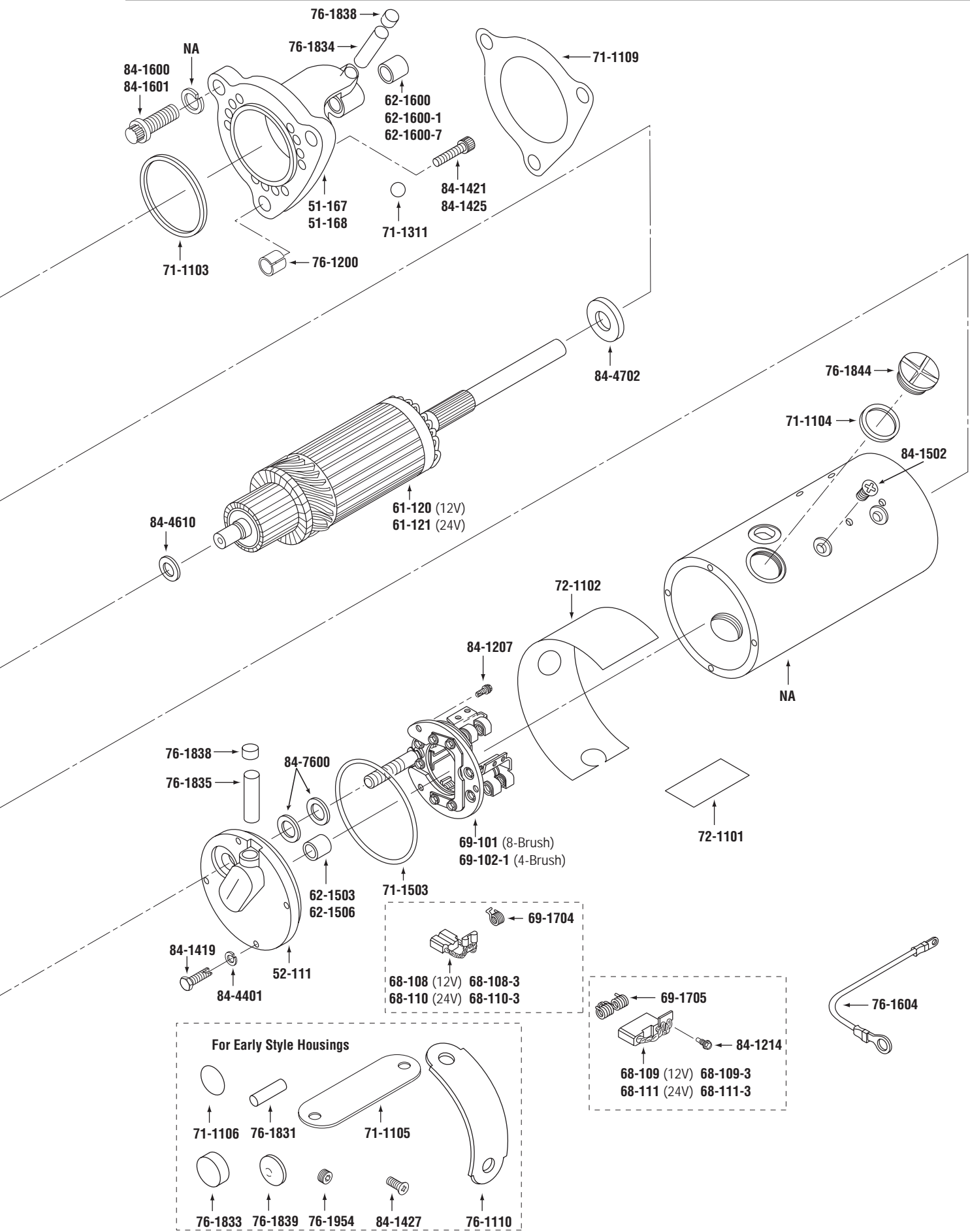


# DELCO 40MT SERIES

DELCO 40MT SERIES

- 7-900N (24V, Sq.)
- 7-900NS (24V, Sq.)
- 7-900S (24V, Oval)
- 7-907 (12V, Oval)
- 7-907N (12V, Sq.)
- 7-907NS (12V, Sq.)
- 7-912 (12V, Oval, Rev. Term.)
- 7-912N (12V, Sq., Rev. Term.)
- 7-928NS (24V, Sq., Rev. Term.)
- 7-934 (32V, Oval)
- 66-106-2 (12V, Sq.)
- 66-107-2 (24V, Sq.)
- 66-109 (24V, Oval)
- 66-110 (12V, Oval)





# DELCO 40MT SERIES (cont'd.)

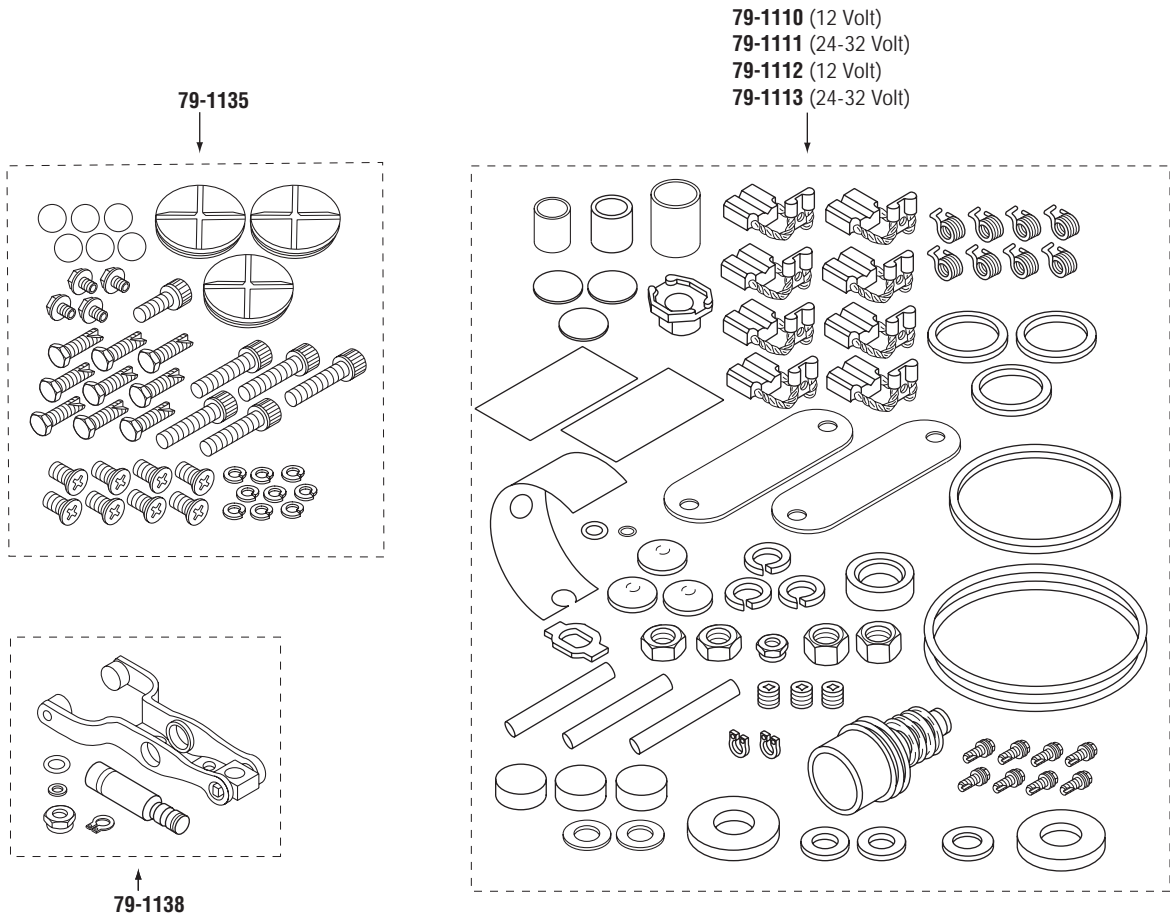
WAI No.	Description
4-486	STARTER DRIVE (11-T, CW, 19-SPL,, Accurate AccuSure)
4-489	STARTER DRIVE (12-T, CW, 19-SPL, Accurate AccuSure)
4-492	STARTER DRIVE (13-T, CW, 19-SPL, Accurate AccuSure)
4-497	STARTER DRIVE (11-T, CCW, 19-SPL, Accurate AccuSure)
4-1201	CENTRIFUGAL WEIGHT - Positive Engagement Drives
7-900N	SOLENOID - 24V (Square Plate, Chrome/Copper Contacts, Accurate)
7-900NS	SOLENOID - 24V (Square Plate, Silver Contacts, Accurate)
7-900S	SOLENOID - 24V (Oval Plate, Silver Contacts, Accurate)
7-907	SOLENOID - 12V (Oval Plate, Copper Contacts, Accurate)
7-907N	SOLENOID - 12V (Square Plate, Copper Contacts, Accurate)
7-907NS	SOLENOID - 12V (Square Plate, Silver Contacts, Accurate)
7-912	SOLENOID - 12V (Oval Plate, Copper Contacts, Reverse Term., Accurate)
7-912N	SOLENOID - 12V (Square Plate, Copper Contacts, Reverse Term., Accurate)
7-928NS	SOLENOID - 24V (Square Plate, Silver Contacts, Reverse Term., Accurate)
7-934	SOLENOID - 32V (Oval Plate, Silver Contacts, Accurate)
51-167	D.E. HOUSING (Cast Iron, 5/8 3-Ear Flg. Mtg.)
51-168	D.E. HOUSING (Cast Iron, 5/8 3-Ear Flg. Mtg.)
52-111	C.E. FRAME
53-104	LEVER HOUSING
53-107-1	LEVER HOUSING
54-123-3	STARTER DRIVE (11-T, CW, 19-SPL)
54-124-3	STARTER DRIVE (12-T, CW, 19-SPL)
54-125-2	STARTER DRIVE (11-T, CCW, 19-SPL)
54-1202	PINION GEAR - Str. Drive (11-T, CW, 15-Ratchet)
54-1205-2	PINION GEAR - Str. Drive (12-T, CW, 17-Ratchet)
54-1207-2	PINION GEAR - Str. Drive (11-T, CCW, 15-Ratchet)
54-1800	PIN - Positive Engagement Drives
54-1803	CUSHION - Positive Engagement Drives
54-1804	RETAINING RING - Positive Engagement Drives
55-109	SHIFT LEVER (3/8 Dia. Plunger Rod Hole)
55-1202	SHAFT - Shift Lever (2-9/32 L)
58-107	POLE SHOE
59-132	FIELD COIL - 24V, CW Rotation
59-132-3	FIELD COIL - 24V, CW Rotation
59-133-3	FIELD COIL - 12V, CW Rotation
59-134	FIELD COIL - 12V, CCW Rotation
59-143	FIELD COIL - 24V, CCW Rotation
59-179	FIELD COIL - 12-24V, CW Rotation
61-120	ARMATURE - 12V (Ref# 1866)
61-121	ARMATURE - 24-32V (Ref# 2023)
62-1503	BUSHING - C.E. (Prefit, .5685 ID x .7555 OD x .970 L)
62-1506	BUSHING - C.E. (.5670 ID x .7750 OD x 1.0 L)
62-1600	BUSHING - D.E. (Prefit, .6290 ID x .7555 OD x .865 L)
62-1600-1	BUSHING - D.E. (1X-Undersize, .6265 ID x .7555 OD x .865 L)
62-1600-7	REPAIR BUSHING - D.E. (Oversize, .6255 ID x .8630 OD x .965 L)
62-1603-8	BUSHING - Drive (Split Type, .6290 ID x .6870 OD x .986 L)
62-1800	BUSHING - L.H. (Prefit, .8380 ID x .9605 OD x 1.250 L)
66-106-2	SOLENOID - 12V (Square Plate, Copper Contacts)
66-107-2	SOLENOID - 24V (Square Plate, Silver Contacts)
66-109	SOLENOID - 24V (Oval Plate, Silver Contacts)

WAI No.	Description
66-110	SOLENOID - 12V (Oval Plate, Copper Contacts)
66-1604	PLUNGER ASSEMBLY (w/ 66-1605 Plunger)
66-1605	PLUNGER - Solenoid (3/8 Dia. Mtg. Shoulder)
66-1605-1	PLUNGER - Solenoid (3/8 Dia. Mtg. Shoulder)
68-108	BRUSH - 12V, Ref# R-69, 8-Req.
68-108-3	BRUSH - 12V, Ref# R-69, 8-Req.
68-109	BRUSH - 12V, Ref# R-122, 4-Req.
68-109-3	BRUSH - 12V, Ref# R-122, 4-Req.
68-110	BRUSH - 24V, Ref# R-70, 8-Req.
68-110-3	BRUSH - 24V, Ref# R-70, 8-Req.
68-111	BRUSH - 24-32V, Ref# R-122H, 4-Required
68-111-3	BRUSH - 24-32V, Ref# R-122H, 4-Required
69-101	BRUSH HOLDER ASSY. (wo/ 8-Brushes)
69-102-1	BRUSH HOLDER ASSY. (wo/ 4-Brushes)
69-1704	BRUSH SPRING - 8-Req.
69-1705	BRUSH SPRING - 6-Req.
71-1103	GASKET - D.E. Hsg. to L.H. (3 ID x 3-3/8 OD)
71-1104	GASKET - Inspection Plug L.H. Field Case
71-1105	GASKET - Brush Cover Plate
71-1106	GASKET - Expansion Plug Early Style Hsgs.
71-1109	GASKET - Wet Clutch Str. Mounting
71-1306	BOOT - Solenoid Plunger
71-1309	INSULATOR - C.E. Term. (Rubber)
71-1310	GROMMET - Field Coil Term. (1/2 ID, Rubber)
71-1311	PLUG - D.E. Mtg. Holes
71-1314	PLUG - Lever Housing
71-1500	O-RING - Shift Lever (3/8 ID x 1/2 OD)
71-1503	O-RING - L.H., C.E. Frame
71-1504	O-RING - Shift Lever (1/4 ID x 3/8 OD x 1/16 W)
71-1701	OIL SEAL - L.H. (49/64 ID x 3/8 W)
72-1101	INSULATOR - Field Coil (1-1/2 W x 3 L)
72-1102	INSULATOR - Field Coil (3-1/2 W x 12-1/4 L)
72-1104	INSULATOR - Field Coil Term. (1/2 ID, Fiber)
72-1401	INSULATOR - Term. Stud (1/2 ID, Bakelite)
76-1110	BRUSH COVER PLATE - Early Style Hsgs.
76-1200	REDUCING BUSHING (Reduces 5/8 Dia. Mtg. Hole to 1/2 Dia.)
76-1254	CONNECTOR - Field Coil to Soln. (1/2 Dia. Hole)
76-1254-1	CONNECTOR - Field Coil to Soln. (1/2 Dia. Hole, Heavy Duty)
76-1301	RETAINER - Plunger Spring (1-13/64 ID)
76-1302	RETAINER - Plunger Spring (13/32 ID)
76-1604	WIRE LEAD - C.E. Term. to Soln.
76-1701	SPRING - Plunger
76-1831	OIL WICK - Early Style Hsgs. (5/16 OD x 2-3/8 L)
76-1833	OIL WICK - Early Style Hsgs. (15/16 OD x 5/16 T)
76-1834	OIL WICK - D.E., L.H. (1/2 OD x 2-1/4 L)
76-1835	OIL WICK - C.E. (1/2 OD x 1-15/16 L)
76-1838	PLUG - Oil Reservoir, D.E., L.H., C.E.
76-1839	EXPANSION PLUG - Early Style Hsgs. (1-1/32 Dia.)
76-1844	INSPECTION PLUG - L.H., Field Case
76-1846	THERMOSTAT
76-1954	PIPE PLUG - Oil Reservoir, Early Style Hsgs.
79-1110	REPAIR KIT - 12V Strs. (8-Brush Design)
79-1111	REPAIR KIT - 24-32V Strs. (8-Brush Design)
79-1112	REPAIR KIT - 12V Strs. (4-Brush Design)
79-1113	REPAIR KIT - 24-32V Strs. (4-Brush Design)
79-1135	HARDWARE KIT
79-1138	SHIFT LEVER KIT
84-1207	SCREW - Brush Holder (8-32 x 1/2 L, Hex, Thd. Cut.)
84-1214	SCREW - Brush (8-32 x 1/2 L, Slotted Hex)
84-1411	SCREW - Soln. Mtg. (1/4-20 x 5/16 L, Hex)
84-1419	SCREW - C.E., L.H. (1/4-28 x 1 L, Hex, Thd. Cut.)
84-1421	SCREW - D.E. Hsg. (5/16-18 x 1-1/2 L, Socket Head)

# DELCO 40MT SERIES (cont'd.)

WAI No.	Description
84-1425	SCREW - D.E. Hsg. (5/16-18 x 7/8 L, Socket Head)
84-1427	SCREW - Brush Cover (1/4-20 x 1/2 L, Phillips)
84-1502	SCREW - Pole Shoe (3/8-24 x 5/8 L, Phillips)
84-1600	BOLT - D.E. Mtg. (5/8-11 x 1-3/4 L, 12-Point Head)
84-1601	BOLT - D.E. Mtg. (5/8-11 x 2-1/2 L, 12-Point Head)
84-2409	HEX NUT - Plunger (5/16-24 x 1/2 F x 1/4 T, Nylon Lock)
84-2600-1	HEX NUT - Field Coil, C.E. Term. (1/2-13 x 3/4 F x 7/16 T)
84-2602	HEX NUT - Field Coil, C.E. Term. (1/2-13 x 3/4 F x 5/16 T)
84-4401	LOCK WASHER - C.E., L.H. (1/4 ID, Split)
84-4600	LOCK WASHER - C.E. Term. (1/2 ID, Split)
84-4603	FLAT WASHER - C.E. Term., Field Coil (1/2 ID)
84-4610	THRUST WASHER - C.E. (9/16 ID x 1 OD, Steel)

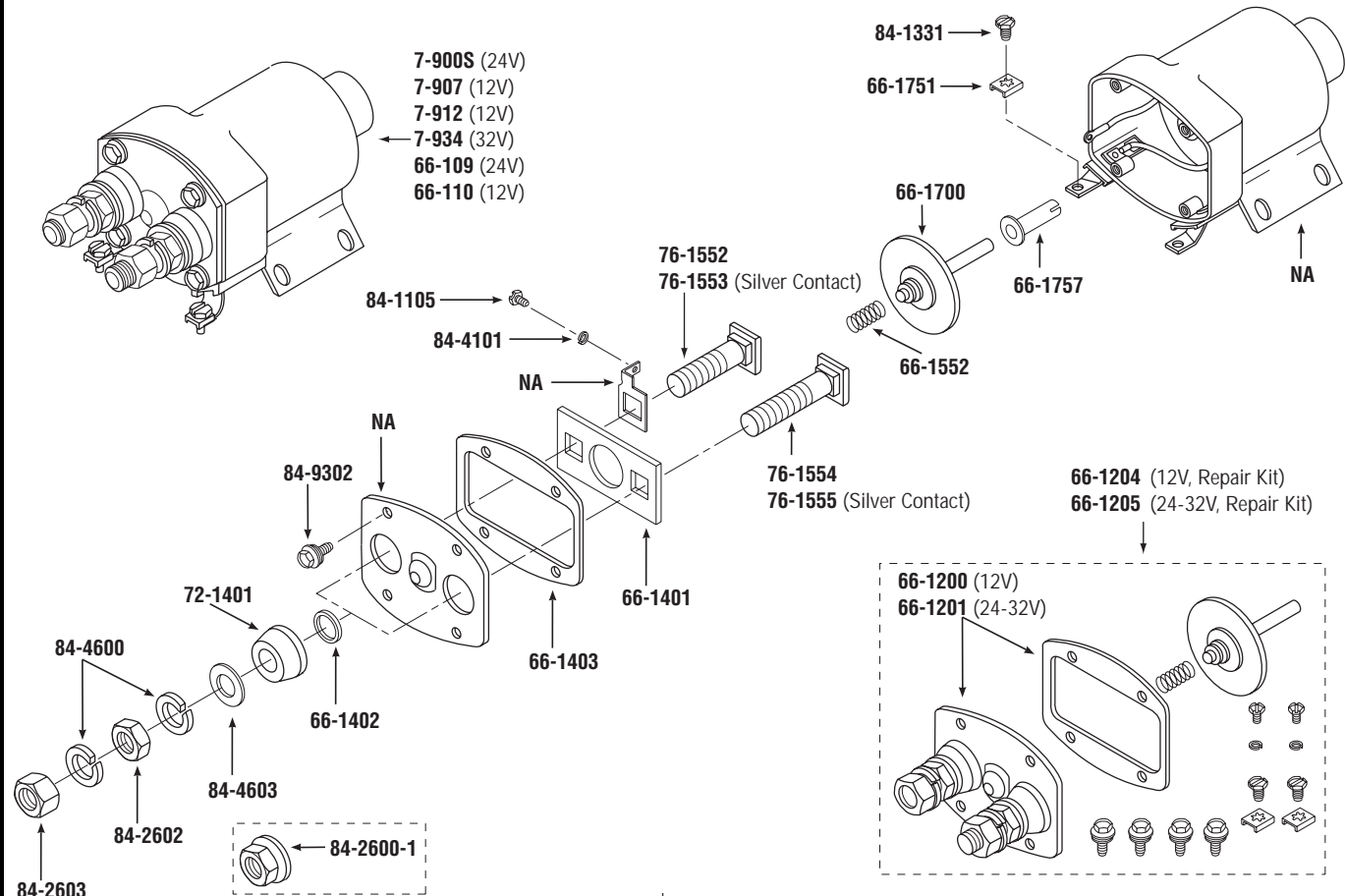
WAI No.	Description
84-4702	SPACER - L.H. (27/32 ID x .190 T)
84-4703	FLAT WASHER - Plunger (27/32 ID)
84-7600	INSULATING WASHER - C.E. Term., Field Coil (1/2 ID)
84-7707	BRAKE WASHER - L.H. (13/16 ID x 1-7/8 OD, Fiber)
84-8901	SNAP RING - Plunger, Shift Lever (.338 ID x .025 T, Ext.)
472009	PINION GEAR - Str. Drive (12-T, CW, 15-Ratchet, Accurate)
486009	PINION GEAR - Str. Drive (11-T, CW, 15-Ratchet, Accurate)
497006	PINION GEAR - Str. Drive (11-T, CCW, 15-Ratchet, Accurate)



**DELCO 40MT SERIES**

# DELCO 40-50MT SOLENOID, OVAL PLATE

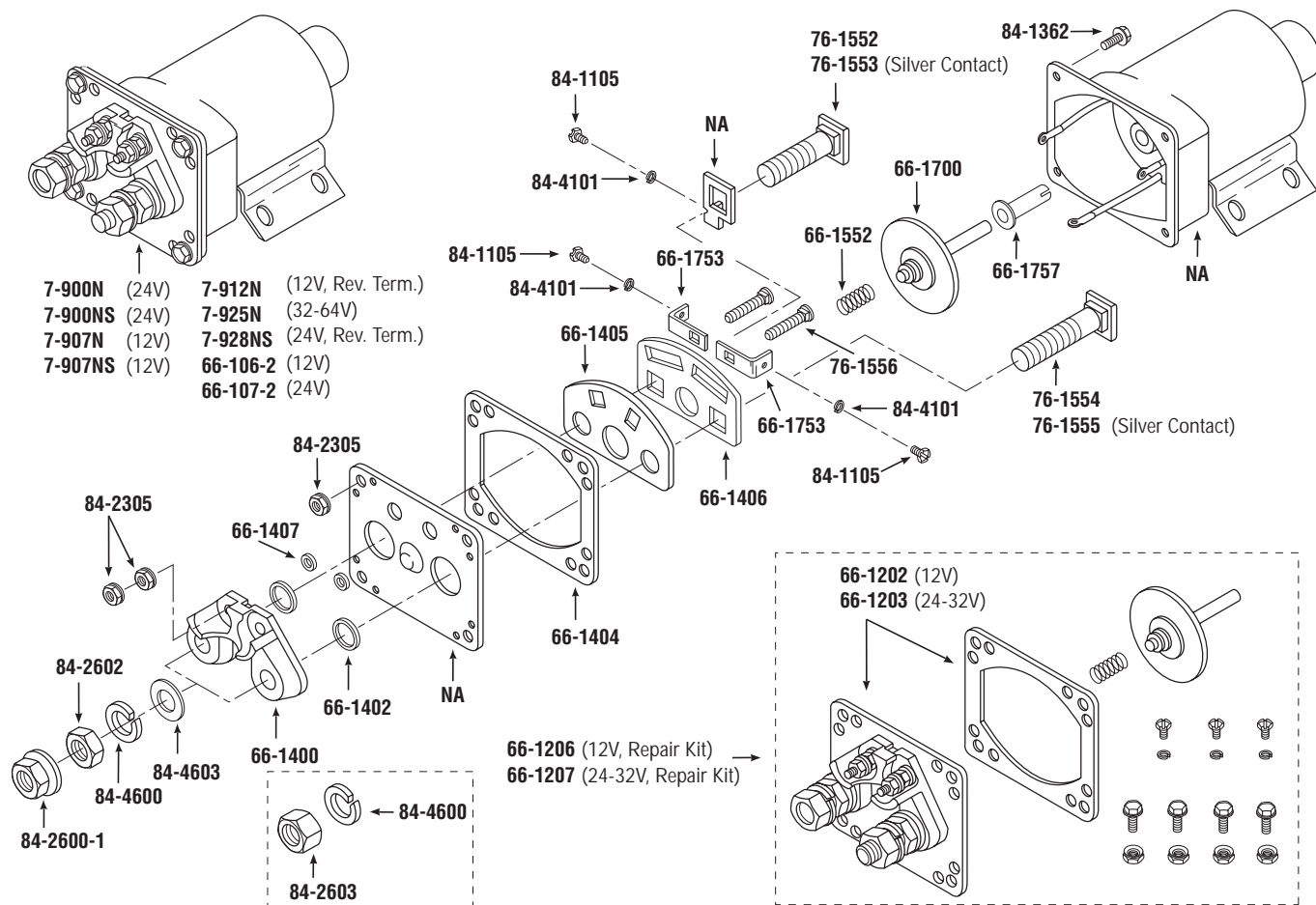
DELCO 40MT SOLENOID, OVAL PLATE



WAI No.	Description
7-900S	SOLENOID - 24V (Oval Plate, Silver Contacts, Accurate)
7-907	SOLENOID - 12V (Oval Plate, Copper Contacts, Accurate)
7-912	SOLENOID - 12V (Oval Plate, Copper Contacts, Reverse Term., Accurate)
7-934	SOLENOID - 32V (Oval Plate, Silver Contacts, Accurate)
66-109	SOLENOID - 24V (Oval Plate, Silver Contacts)
66-110	SOLENOID - 12V (Oval Plate, Copper Contacts)
66-1200	TERMINAL PLATE ASSY. - 12V (Copper Contacts)
66-1201	TERMINAL PLATE ASSY. - 24-32V (Silver Contacts)
66-1204	SOLENOID REPAIR KIT - 12V (Copper Contacts)
66-1205	SOLENOID REPAIR KIT - 24-32V (Silver Contacts)
66-1401	INSULATOR - Term. Plate
66-1402	SEAL - Batt., Motor Terms. (1/2 ID)
66-1403	GASKET - Term. Plate
66-1552	RETURN SPRING - Movable Contact
66-1700	MOVABLE CONTACT ASSY.
66-1751	CLAMP - Grd., Switch Terms.
66-1757	NYLON BUSHING - Plunger Rod

WAI No.	Description
72-1401	INSULATOR - Batt., Motor Terms. (1/2 ID, Bakelite)
76-1552	STATIONARY CONTACT - Motor (1/2-13 x 2 L, Copper Contact)
76-1553	STATIONARY CONTACT - Motor (1/2-13 x 2 L, Silver Contact)
76-1554	STATIONARY CONTACT - Battery (1/2-13 x 2-3/8 L, Copper Contact)
76-1555	STATIONARY CONTACT - Battery (1/2-13 x 2-3/8 L, Silver Contact)
84-1105	SCREW - Coil Lead (6-32 x 1/4 L, Slotted Hex, Thd. Cut.)
84-1331	SCREW - Terminal Clamp (10-32 x 3/8 L, Slotted Hex)
84-2600-1	HEX NUT - Batt., Motor Terms. (1/2-13 x 3/4 F x 7/16 T)
84-2602	HEX NUT - Batt., Motor Terms. (1/2-13 x 3/4 F x 5/16 T)
84-2603	HEX NUT - Batt., Motor Terms. (1/2-13 x 3/4 F x 7/16 T)
84-4101	LOCK WASHER - Coil Lead (#6 ID, Split)
84-4600	LOCK WASHER - Batt., Motor Terms. (1/2 ID, Split)
84-4603	FLAT WASHER - Batt., Motor Terms. (1/2 ID)
84-9302	SCREW - Term. Plate (10-32 x 3/4 L, Hex)

# DELCO 40-50MT SOLENOID, SQUARE PLATE



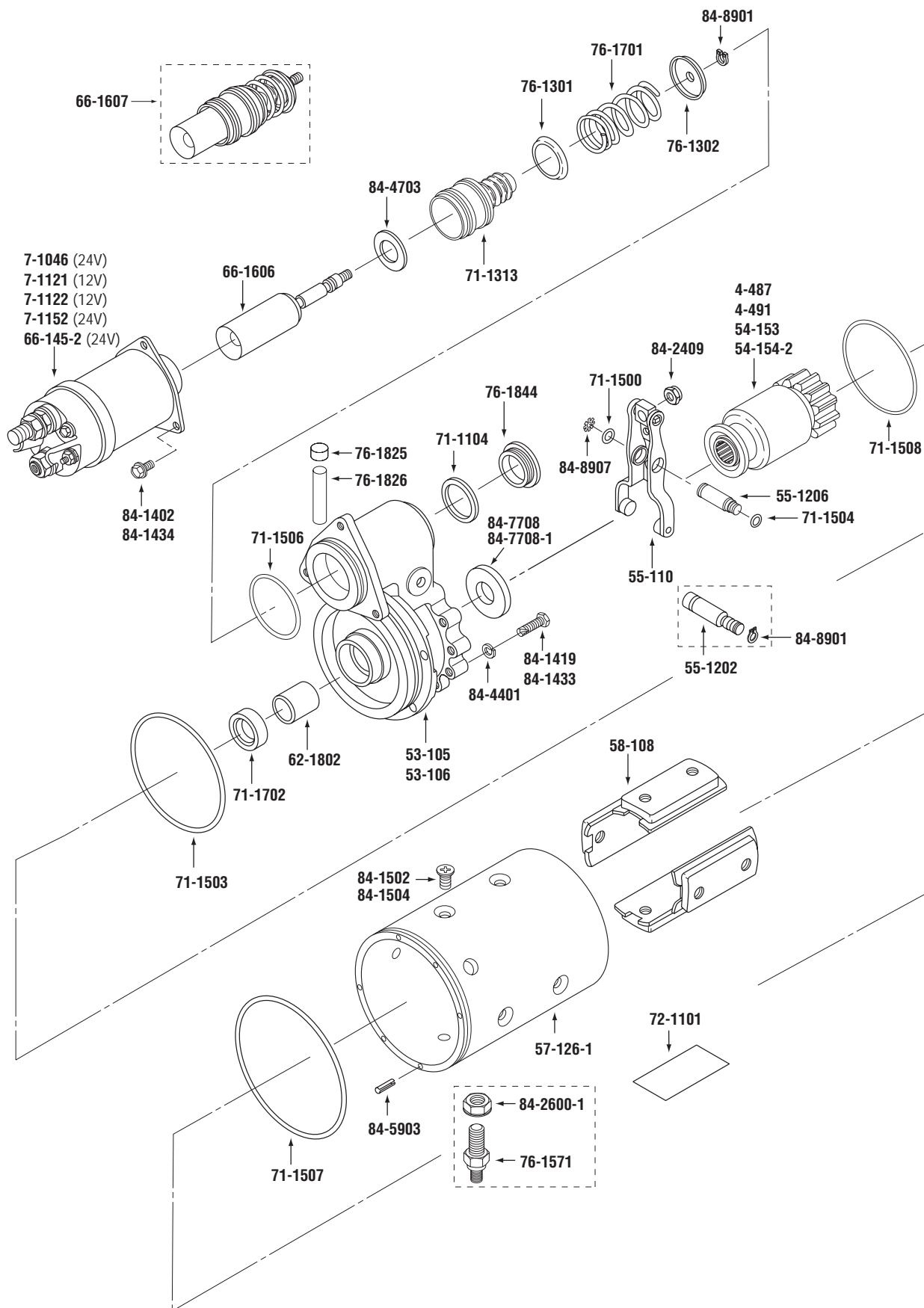
WAI No.	Description
7-900N	SOLENOID - 24V (Square Plate, Chrome/Copper Contacts, Accurate)
7-900NS	SOLENOID - 24V (Square Plate, Silver Contacts, Accurate)
7-907N	SOLENOID - 12V (Square Plate, Copper Contacts, Accurate)
7-907NS	SOLENOID - 12V (Square Plate, Silver Contacts, Accurate)
7-912N	SOLENOID - 12V (Square Plate, Copper Contacts, Reverse Term., Accurate)
7-925N	SOLENOID - 32-64V (Square Plate, Silver Contacts, Accurate)
7-928NS	SOLENOID - 24V (Square Plate, Silver Contacts, Reverse Term., Accurate)
66-106-2	SOLENOID - 12V (Square Plate, Copper Contacts)
66-107-2	SOLENOID - 24V (Square Plate, Silver Contacts)
66-1202	TERMINAL PLATE ASSY. - 12V (Copper Contacts)
66-1203	TERMINAL PLATE ASSY. - 24-32V (Silver Contacts)
66-1206	SOLENOID REPAIR KIT - 12V (Copper Contacts)
66-1207	SOLENOID REPAIR KIT - 24-32V (Silver Contacts)
66-1400	INSULATOR - Batt., Motor Terms.
66-1402	SEAL - Batt., Motor Terms. (1/2 ID)
66-1404	GASKET - Term. Plate (Rubber)
66-1405	INSULATOR - Term. Plate
66-1406	INSULATOR - Term. Plate
66-1407	SEAL - Grd., Switch Terms. (No. 10 ID)

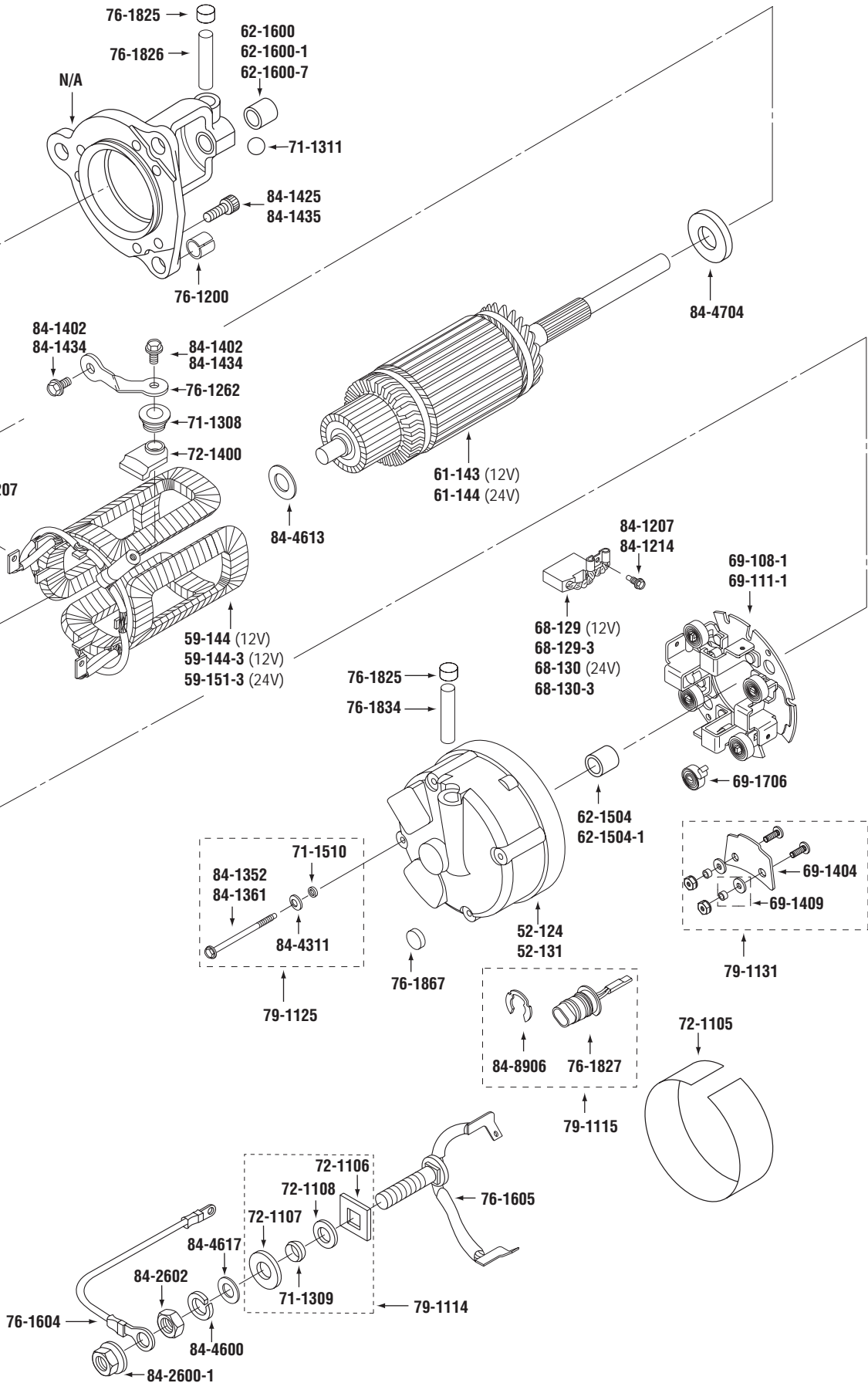
WAI No.	Description
66-1552	RETURN SPRING - Movable Contact
66-1700	MOVABLE CONTACT ASSY.
66-1753	TERMINAL STRAP - Grd., Switch Terms.
66-1757	NYLON BUSHING - Plunger Rod
76-1552	STATIONARY CONTACT - Motor (1/2-13 x 2 L, Copper Contact)
76-1553	STATIONARY CONTACT - Motor (1/2-13 x 2 L, Silver Contact)
76-1554	STATIONARY CONTACT - Battery (1/2-13 x 2-3/8 L, Copper Contact)
76-1555	STATIONARY CONTACT - Battery (1/2-13 x 2-3/8 L, Silver Contact)
76-1556	TERMINAL POST - Grd., Switch (10-32 x 1 L)
84-1105	SCREW - Coil Lead (6-32 x 1/4 L, Slotted Hex, Thd. Cut.)
84-1362	SCREW - Term. Plate (10-32 x 1/2 L, Hex)
84-2305	HEX NUT - Grd., Switch Terms. (10-32 x 3/8 F x 1/8 T, w/ Att. Washer)
84-2600-1	HEX NUT - Batt., Motor Terms. (1/2-13 x 3/4 F x 7/16 T)
84-2602	HEX NUT - Batt., Motor Terms. (1/2-13 x 3/4 F x 5/16 T)
84-2603	HEX NUT - Batt., Motor Terms. (1/2-13 x 3/4 F x 7/16 T)
84-4101	LOCK WASHER - Coil Lead (#6 ID, Split)
84-4600	LOCK WASHER - Batt., Motor Terms. (1/2 ID, Split)
84-4603	FLAT WASHER - Batt., Motor Terms. (1/2 ID)

**DELCO 40MT SOLENOID, SQUARE PLATE**

# DELCO 41MT SERIES

DELCO 41MT SERIES







# DELCO 41MT SERIES (cont'd.)

**DELCO 41MT SERIES**

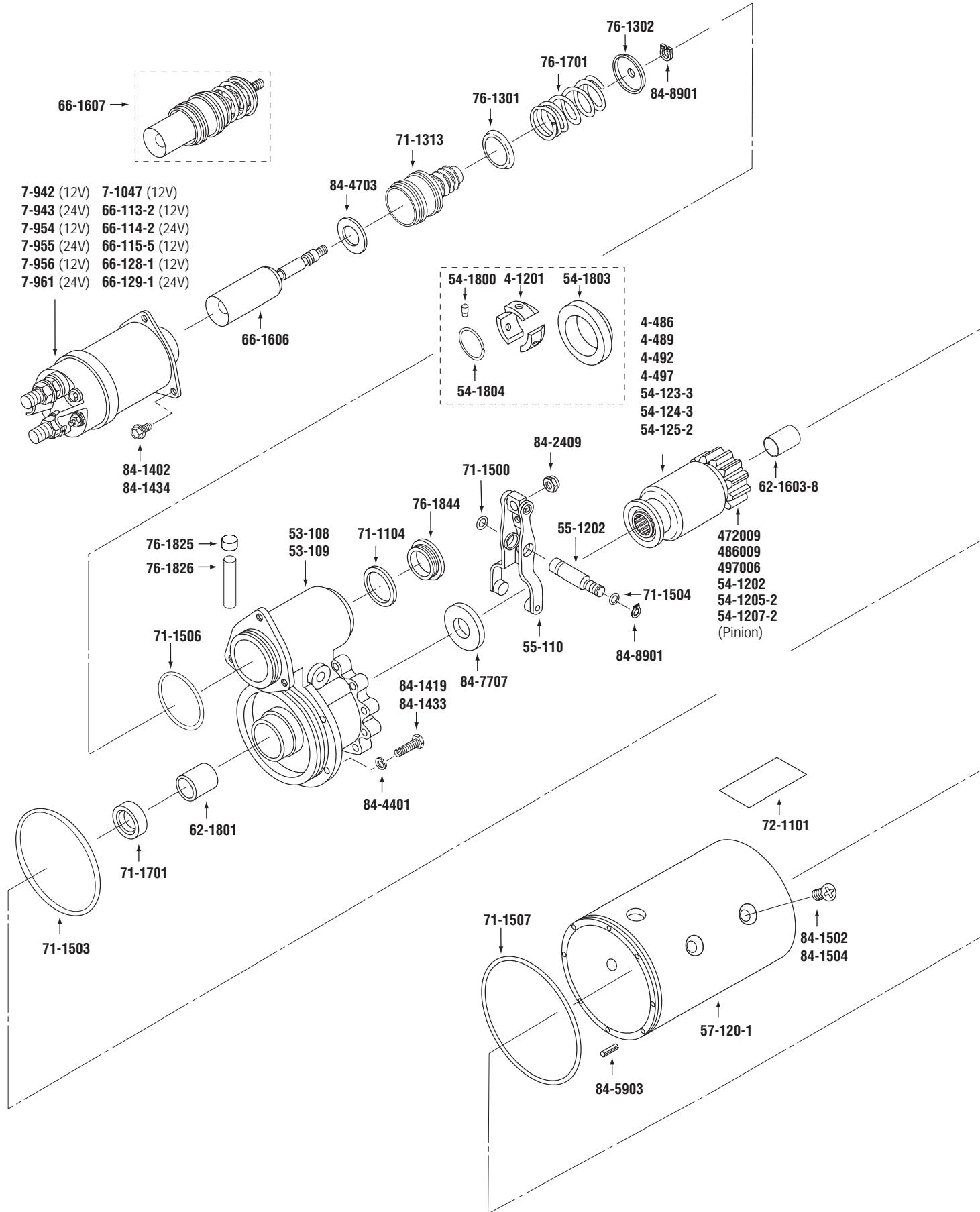
WAI No.	Description
4-487	STARTER DRIVE (12T, CW, 19-SPL, Positive Engagement Design, Accurate)
4-491	STARTER DRIVE (11-T, CW, 19-SPL, Accurate)
7-1046	SOLENOID - 24V (1/2 Batt., 1/2 Motor Terms., Grd. Base, RH S-Term., Jump-Start Protection Cap, Accurate)
7-1121	SOLENOID - 12V (1/2 Batt., 1/2 Motor Terms., Insul. Base, RH S-Term., Accurate)
7-1122	SOLENOID - 12V (1/2 Batt., 1/2 Motor Terms., Grd. Base, RH S-Term., Accurate)
7-1152	SOLENOID - 24V (1/2 Batt., 1/2 Motor Terms., Insul. Base, RH S-Term., Accurate)
52-124	C.E. FRAME - 12-24V (wo/ C.E. Terminal Hole)
52-131	C.E. FRAME - 12-24V (w/ C.E. Terminal Hole)
53-105	LEVER HOUSING
53-106	LEVER HOUSING
54-153	STARTER DRIVE (12T, CW, 19-SPL, Positive Engagement Design)
54-154-2	STARTER DRIVE (11-T, CW, 19-SPL)
55-110	SHIFT LEVER
55-1202	SHAFT - Shift Lever (2-9/32 L)
55-1206	SHAFT - Shift Lever (1-11/16 L)
57-126-1	FIELD CASE
58-108	POLE SHOE - CW Rotation
59-144	FIELD COIL - 12V, CW Rotation
59-144-3	FIELD COIL - 12V, CW Rotation
59-151-3	FIELD COIL - 24V, CW Rotation
61-143	ARMATURE - 12V
61-144	ARMATURE - 24V
62-1504	BUSHING - C.E. (Prefit, .5645 ID x .7520 OD x .750 L)
62-1504-1	BUSHING - C.E. (1X-Undersize, .5620 ID x .7520 OD x .750 L)
62-1600	BUSHING - D.E. (Prefit, .6290 ID x .7555 OD x .865 L)
62-1600-1	BUSHING - D.E. (1X-Undersize, .6265 ID x .7555 OD x .865 L)
62-1600-7	REPAIR BUSHING - D.E. (Oversize, .6255 ID x .8630 OD x .965 L)
62-1802	BUSHING - L.H. (Prefit, .8870 ID x 1.0090 OD x 1.000 L)
66-145-2	SOLENOID - 24V (1/2 Batt., 1/2 Motor Terms., Insul. Base, RH S-Term.)
66-1606	PLUNGER - Solenoid
66-1607	PLUNGER ASSEMBLY
68-129	BRUSH - 12V, Ref# R-135
68-129-3	BRUSH - 12V, Ref# R-135
68-130	BRUSH - 24V, Ref# R-135H
68-130-3	BRUSH - 24V, Ref# R-135H
69-108-1	BRUSH HOLDER ASSY. (wo/ 4-Brushes, Grounded Base)
69-111-1	BRUSH HOLDER ASSY. (wo/ 4-Brushes, Insulated Base)
69-1404	INSULATOR - Brush Holder
69-1409	INSULATOR - Brush Holder
69-1706	BRUSH SPRING
71-1104	GASKET - Inspection Plug
71-1308	GROMMET - Field Coil Term. (Outside)
71-1309	INSULATOR - C.E. Term. (Rubber)
71-1311	PLUG - D.E. Mtg. Holes
71-1313	BOOT - Solenoid Plunger
71-1500	O-RING - Shift Lever (3/8 ID x 1/2 OD)
71-1503	O-RING - L.H. to Field Frame
71-1504	O-RING - Shift Lever (1/4 ID x 3/8 OD x 1/16 W)
71-1506	O-RING - L.H. to Soln.
71-1507	O-RING - Field Case to C.E. Frame
71-1508	O-RING - D.E. Hsg. to L.H. (3-1/4 ID x 3-1/2 OD)

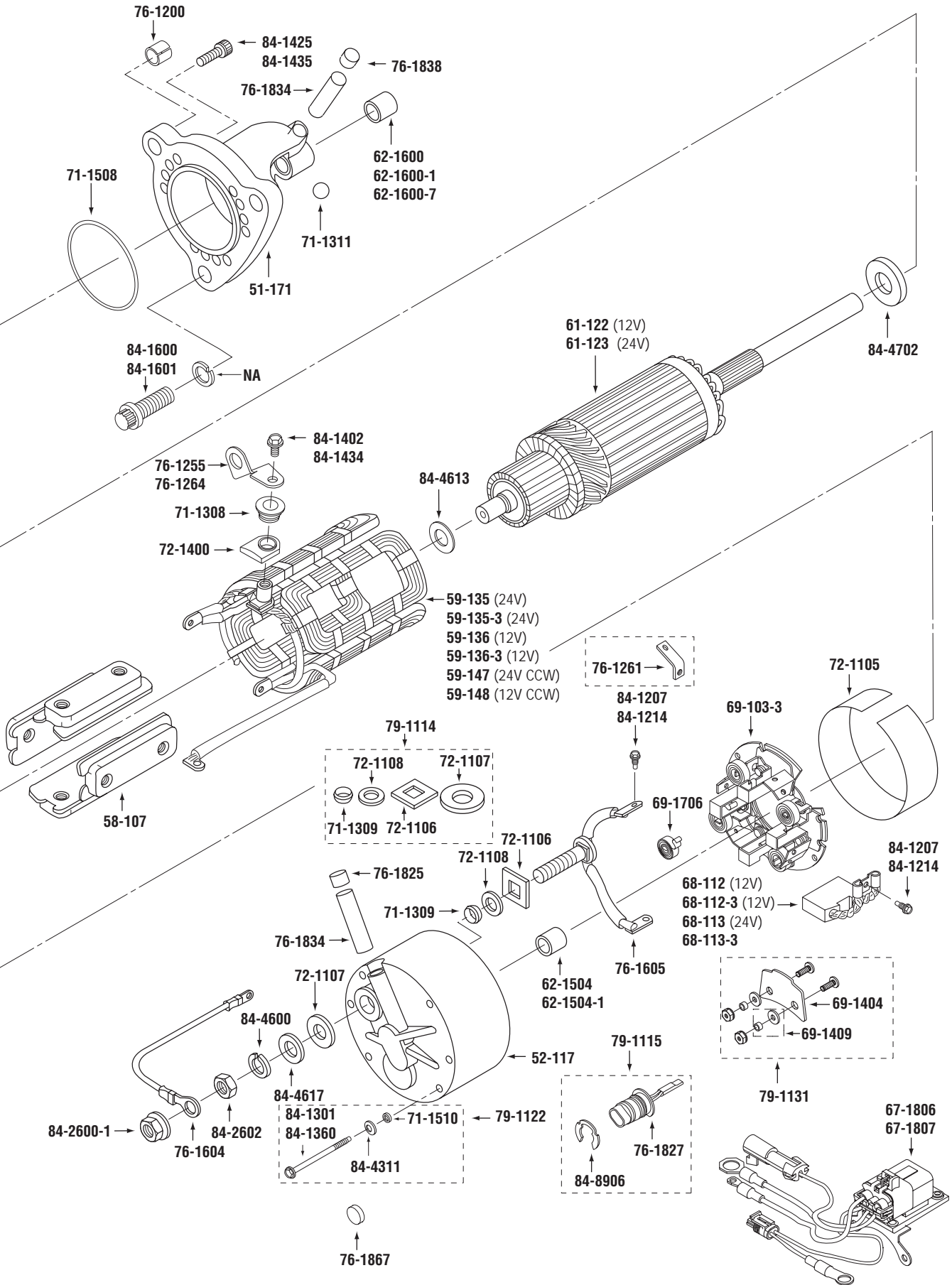
WAI No.	Description
71-1510	O-RING - C.E. Frame Screw
71-1702	OIL SEAL - L.H.
72-1101	INSULATOR - Field Coil (1-1/2 W x 3 L)
72-1105	INSULATOR - Field Coil (1-1/2 W x 13-1/2 L)
72-1106	INSULATOR - C.E. Term.
72-1107	INSULATOR - C.E. Term.
72-1108	INSULATOR - C.E. Term.
72-1400	INSULATOR - Field Coil Term.
76-1200	REDUCING BUSHING (Reduces 5/8 Dia. Mtg. Hole to 1/2 Dia.)
76-1262	CONNECTOR - Field Coil to Soln. (1/4 Dia. Hole)
76-1301	RETAINER - Plunger Spring (1-13/64 ID)
76-1302	RETAINER - Plunger Spring (13/32 ID)
76-1571	GROUND TERMINAL - Field Case
76-1604	WIRE LEAD - C.E. Term. to Soln.
76-1605	C.E. TERMINAL ASSY.
76-1701	SPRING - Plunger
76-1825	PLUG - Oil Reservoir, D.E., L.H., C.E.
76-1826	OIL WICK - D.E., L.H. (7/16 OD)
76-1827	THERMOSTAT (w/ O-Ring)
76-1834	OIL WICK - C.E. (1/2 OD x 2-1/4 L)
76-1844	INSPECTION PLUG - L.H.
76-1867	PLUG - Plugs Thermostat Hole in C.E. Frame when not used
79-1114	INSULATOR KIT - C.E. Term.
79-1115	THERMOSTAT KIT
79-1125	THRU BOLT - C.E. Frame (10-32 x 2-1/8, Hex, incl. Seal & Washer)
79-1131	INSULATOR KIT - Brush Holder
84-1207	SCREW - Brush (8-32 x 1/2 L, Hex, Thd. Cut.)
84-1214	SCREW - Brush (8-32 x 1/2 L, Slotted Hex)
84-1352	THRU BOLT - C.E. Frame (10-32 x 2-1/4 L)
84-1361	THRU BOLT - C.E. Frame (10-32 x 2-1/4 L, E8 Torx)
84-1402	SCREW - Soln. Mtg., Field Coil to Solenoid Connector (1/4-20 x 1/2 L, Hex)
84-1419	SCREW - L.H. (1/4-28 x 1 L, Hex, Thd. Cut.)
84-1425	SCREW - D.E. Hsg. (5/16-18 x 7/8 L, Socket Head)
84-1433	SCREW - L.H. (1/4-28 x 1 L, E8 Torx, Thd. Cut.)
84-1434	SCREW - Soln. Mtg., Field Coil to Solenoid Connector (1/4-20 x 1/2 L, E8 Torx)
84-1435	SCREW - D.E. Hsg. (5/16-18 x 7/8 L, T45 Torx)
84-1502	SCREW - Pole Shoe (3/8-24 x 5/8 L, Phillips)
84-1504	SCREW - Pole Shoe (3/8-24 x 11/16 L, T40 Torx)
84-2409	HEX NUT - Plunger (5/16-24 x 1/2 F x 1/4 T, Nylon Lock)
84-2600-1	HEX NUT - C.E. Term. (1/2-13 x 3/4 F x 7/16 T)
84-2602	HEX NUT - C.E. Term. (1/2-13 x 3/4 F x 5/16 T)
84-4311	CONICAL WASHER - Thru Bolt (#10 ID)
84-4401	LOCK WASHER - L.H. (1/4 ID, Split)
84-4600	LOCK WASHER - C.E. Term. (1/2 ID, Split)
84-4613	THRUST WASHER - C.E. (9/16 ID x 1-3/16 OD, Steel)
84-4617	FLAT WASHER - C.E. Term. (1/2 ID)
84-4703	FLAT WASHER - Plunger (27/32 ID)
84-4704	SPACER - L.H. (7/8 ID x .192 T)
84-5903	SPLIT ROLL PIN - Field Case (3/16 OD x 7/8 L)
84-7708	BRAKE WASHER - L.H. (15/16 ID x 2-1/8 OD, Cork/Rubber)
84-7708-1	BRAKE WASHER - L.H. (15/16 ID x 2-1/8 OD, Fiber)
84-8901	SNAP RING - Plunger, Shift Lever (.338 ID x .025 T, Ext.)
84-8906	RETAINER - Thermostat (.6 ID x .060 T)
84-8907	RETAINER - Shift Lever Shaft (.257 ID x 1/2 OD x .012 T)



# DELCO 42MT SERIES

DELCO 42MT SERIES





# DELCO 42MT SERIES (cont'd.)

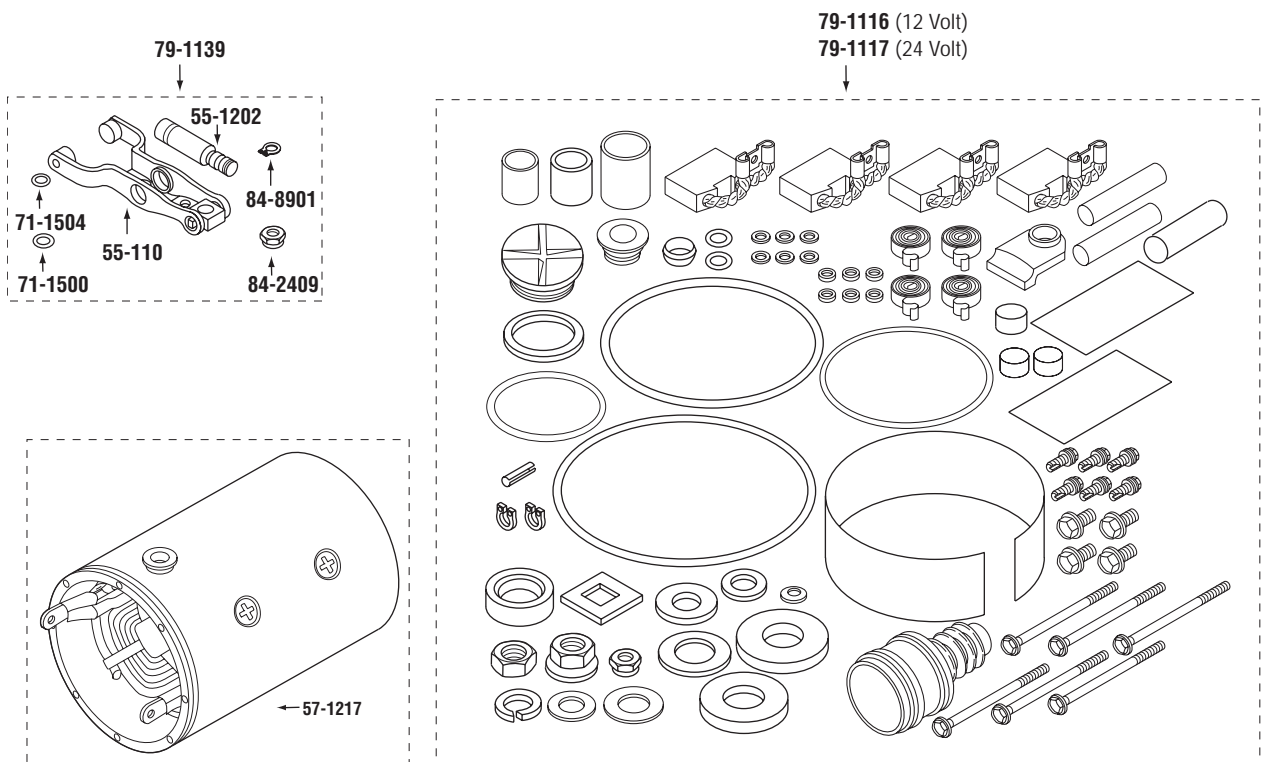
WAI No.	Description
4-486	STARTER DRIVE (11-T, CW, 19-SPL., Accurate AccuSure)
4-489	STARTER DRIVE (12-T, CW, 19-SPL, Accurate AccuSure)
4-492	STARTER DRIVE (13-T, CW, 19-SPL, Accurate AccuSure)
4-497	STARTER DRIVE (11-T, CCW, 19-SPL, Accurate AccuSure)
4-1201	CENTRIFUGAL WEIGHT - Positive Engagement Drives
7-942	SOLENOID - 12V (RH S-Term., Accurate)
7-943	SOLENOID - 24V (RH S-Term., Accurate)
7-954	SOLENOID - 12V (LH S-Term., Accurate)
7-955	SOLENOID - 24V (LH S-Term., Accurate)
7-956	SOLENOID - 12V (RH S-Term., Silver Contacts, Accurate)
7-961	SOLENOID - 24V (RH S-Term., Jump-Start Protection Cap, Accurate)
7-1047	SOLENOID - 12V (RH S-Term., Jump-Start Protection Cap, Accurate)
51-171	D.E. HOUSING (Cast Iron, 5/8 3-Ear Flg. Mtg., 24-Position)
52-117	C.E. FRAME (w/ Knockout for Thermostat)
53-108	LEVER HOUSING
53-109	LEVER HOUSING
54-123-3	STARTER DRIVE (11-T, CW, 19-SPL)
54-124-3	STARTER DRIVE (12-T, CW, 19-SPL)
54-125-2	STARTER DRIVE (11-T, CCW, 19-SPL)
54-1202	PINION GEAR - Str. Drive (11-T, CW, 15-Ratchet)
54-1205-2	PINION GEAR - Str. Drive (12-T, CW, 17-Ratchet)
54-1207-2	PINION GEAR - Str. Drive (11-T, CCW, 15-Ratchet)
54-1800	PIN - Positive Engagement Drives
54-1803	CUSHION - Positive Engagement Drives
54-1804	RETAINING RING - Positive Engagement Drives
55-110	SHIFT LEVER
55-1202	SHAFT - Shift Lever (2-9/32 L)
57-120-1	FIELD CASE
57-1217	FIELD CASE ASSY. - 12V, CW Rotation
58-107	POLE SHOE
59-135	FIELD COIL - 24V, CW Rotation
59-135-3	FIELD COIL - 24V, CW Rotation
59-136	FIELD COIL - 12V, CW Rotation
59-136-3	FIELD COIL - 12V, CW Rotation
59-147	FIELD COIL - 24V, CCW Rotation (24V, CCW)
59-148	FIELD COIL - 12V, CCW Rotation
61-122	ARMATURE - 12V
61-123	ARMATURE - 24V
62-1504	BUSHING - C.E. (Prefit, .5645 ID x .7520 OD x .750 L)
62-1504-1	BUSHING - C.E. (1X-Undersize, .5620 ID x .7520 OD x .750 L)
62-1600	BUSHING - D.E. (Prefit, .6290 ID x .7555 OD x .865 L)
62-1600-1	BUSHING - D.E. (1X-Undersize, .6265 ID x .7555 OD x .865 L)
62-1600-7	REPAIR BUSHING - D.E. (Oversize, .6255 ID x .8630 OD x .965 L)
62-1603-8	BUSHING - Drive (Split Type, .6290 ID x .6870 OD x .986 L)
62-1801	BUSHING - L.H. (Prefit, .8380 ID x .9605 OD x .985 L)
66-113-2	SOLENOID - 12V (RH S-Term.)
66-114-2	SOLENOID - 24V (RH S-Term.)
66-115-5	SOLENOID - 12V (LH S-Term.)
66-128-1	SOLENOID - 12V (RH S-Term., Silver Contacts)
66-129-1	SOLENOID - 24V (LH S-Term.)
66-1606	PLUNGER - Solenoid
66-1607	PLUNGER ASSEMBLY
67-1806	RELAY SWITCH - Solenoid Mount, w/ Over-Crank Protection
67-1807	RELAY SWITCH - Solenoid Mount, w/ Over-Crank Protection

WAI No.	Description
68-112	BRUSH - 12V, Ref# R-134
68-112-3	BRUSH - 12V, Ref# R-134
68-113	BRUSH - 24V, Ref# R-134H
68-113-3	BRUSH - 24V, Ref# R-134H
69-103-3	BRUSH HOLDER ASSY. - 12-24V (wo/ 4-Brushes)
69-1404	INSULATOR - Brush Holder
69-1409	INSULATOR - Brush Holder
69-1706	BRUSH SPRING
71-1104	GASKET - Inspection Plug
71-1308	GROMMET - Field Coil Term. (Outside)
71-1309	INSULATOR - C.E. Term. (Rubber)
71-1311	PLUG - D.E. Mtg. Holes
71-1313	BOOT - Solenoid Plunger
71-1500	O-RING - Shift Lever (3/8 ID x 1/2 OD)
71-1503	O-RING - L.H. to Field Frame
71-1504	O-RING - Shift Lever (1/4 ID x 3/8 OD x 1/16 W)
71-1506	O-RING - L.H. to Soln.
71-1507	O-RING - Field Case to C.E. Frame
71-1508	O-RING - D.E. Hsg. to L.H. (3-1/4 ID x 3-1/2 OD)
71-1510	O-RING - C.E. Frame Screw
71-1701	OIL SEAL - L.H. (49/64 ID x 3/8 W)
72-1101	INSULATOR - Field Coil (1-1/2 W x 3 L)
72-1105	INSULATOR - Field Coil (1-1/2 W x 13-1/2 L)
72-1106	INSULATOR - C.E. Term.
72-1107	INSULATOR - C.E. Term.
72-1108	INSULATOR - C.E. Term.
72-1400	INSULATOR - Field Coil Term.
76-1200	REDUCING BUSHING (Reduces 5/8 Dia. Mtg. Hole to 1/2 Dia.)
76-1255	CONNECTOR - Field Coil to Soln.
76-1261	CONNECTOR - Straight Term. Field Coil to Late Style Brush Holder
76-1264	CONNECTOR - Field Coil to Semi-solid Link Soln.
76-1301	RETAINER - Plunger Spring (1-13/64 ID)
76-1302	RETAINER - Plunger Spring (13/32 ID)
76-1604	WIRE LEAD - C.E. Term. to Soln.
76-1605	C.E. TERMINAL ASSY.
76-1701	SPRING - Plunger
76-1825	PLUG - Oil Reservoir, C.E., L.H.
76-1826	OIL WICK - L.H. (7/16 OD)
76-1827	THERMOSTAT (w/ O-Ring)
76-1834	OIL WICK - D.E., C.E. (1/2 OD x 2-1/4 L)
76-1838	PLUG - Oil Reservoir, D.E. Hsg.
76-1844	INSPECTION PLUG - L.H.
76-1867	PLUG - Plugs Thermostat Hole in C.E. Frame when not used
79-1114	INSULATOR KIT - C.E. Term.
79-1115	THERMOSTAT KIT
79-1116	REPAIR KIT - 12V Strs.
79-1117	REPAIR KIT - 24V Strs.
79-1122	THRU BOLT - C.E. Frame (incl. Seal & Washer)
79-1131	INSULATOR KIT - Brush Holder
79-1139	SHIFT LEVER KIT
84-1207	SCREW - Brush (8-32 x 1/2 L, Hex, Thd. Cut.)
84-1214	SCREW - Brush (8-32 x 1/2 L, Slotted Hex)
84-1301	THRU BOLT - C.E. Frame (10-32 x 3-1/8 L)
84-1360	THRU BOLT - C.E. Frame (10-32 x 3-1/8 L, E8 Torx)
84-1402	SCREW - Soln. Mtg., Field Coil to Solenoid Connector (1/4-20 x 1/2 L, Hex)
84-1419	SCREW - L.H. (1/4-28 x 1 L, Hex, Thd. Cut.)
84-1425	SCREW - D.E. Hsg. (5/16-18 x 7/8 L, Socket Head)
84-1433	SCREW - L.H. (1/4-28 x 1 L, E8 Torx, Thd. Cut.)
84-1434	SCREW - Soln. Mtg., Field Coil to Solenoid Connector (1/4-20 x 1/2 L, E8 Torx)

# DELCO 42MT SERIES (cont'd.)

WAI No.	Description
84-1435	SCREW - D.E. Hsg. (5/16-18 x 7/8 L, T45 Torx)
84-1502	SCREW - Pole Shoe (3/8-24 x 5/8 L, Phillips)
84-1504	SCREW - Pole Shoe (3/8-24 x 11/16 L, T40 Torx)
84-1600	BOLT - D.E. Mtg. (5/8-11 x 1-3/4 L, 12-Point Head)
84-1601	BOLT - D.E. Mtg. (5/8-11 x 2-1/2 L, 12-Point Head)
84-2409	HEX NUT - Plunger (5/16-24 x 1/2 F x 1/4 T, Nylon Lock)
84-2600-1	HEX NUT - C.E. Term. (1/2-13 x 3/4 F x 7/16 T)
84-2602	HEX NUT - C.E. Term. (1/2-13 x 3/4 F x 5/16 T)
84-4311	CONICAL WASHER - Thru Bolt (#10 ID)
84-4401	LOCK WASHER - L.H. (1/4 ID, Split)
84-4600	LOCK WASHER - C.E. Term. (1/2 ID, Split)
84-4613	THRUST WASHER - C.E. (9/16 ID x 1-3/16 OD, Steel)
84-4617	FLAT WASHER - C.E. Term. (1/2 ID)

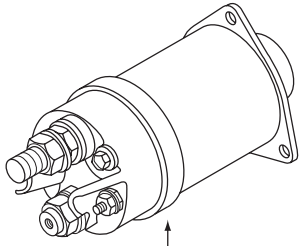
WAI No.	Description
84-4702	SPACER - L.H. (27/32 ID x .190 T)
84-4703	FLAT WASHER - Plunger (27/32 ID)
84-5903	SPLIT ROLL PIN - Field Case (3/16 OD x 7/8 L)
84-7707	BRAKE WASHER - L.H. (13/16 ID x 1-7/8 OD, Fiber)
84-8901	SNAP RING - Plunger, Shift Lever (.338 ID x .025 T, Ext.)
84-8906	RETAINER - Thermostat (.6 ID x .060 T)
472009	PINION GEAR - Str. Drive (12-T, CW, 15-Ratchet, Accurate)
486009	PINION GEAR - Str. Drive (11-T, CW, 15-Ratchet, Accurate)
497006	PINION GEAR - Str. Drive (11-T, CCW, 15-Ratchet, Accurate)



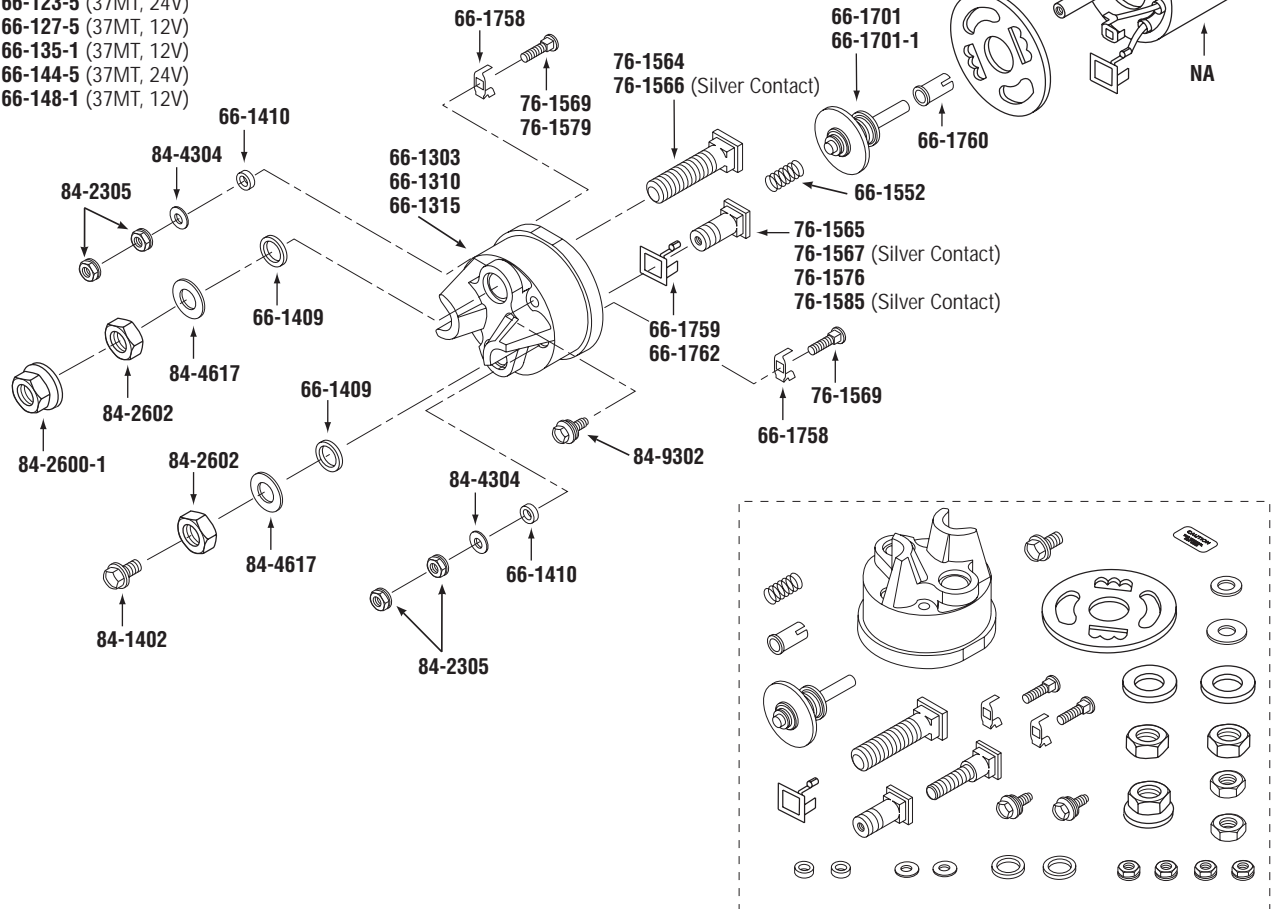
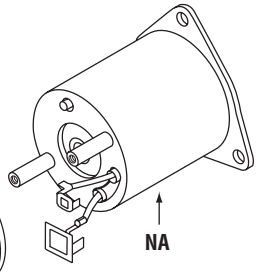
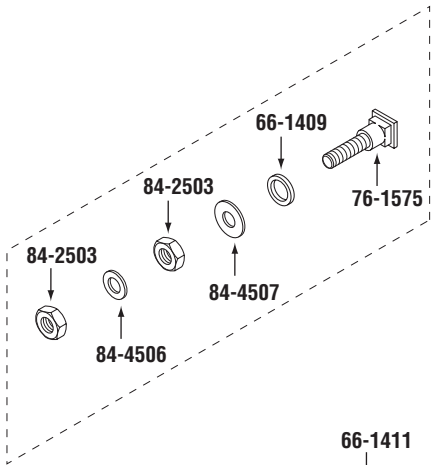
**DELCO 42MT SERIES**

# DELCO 37-42MT SOLENOIDS

## DELCO 42MT SOLENOIDS



- 7-922 (37MT, 24V)
- 7-924 (37MT, 24V)
- 7-931 (37MT, 12V)
- 7-937 (37MT, 12V)
- 7-941 (37MT, 12V)
- 7-949 (37MT, 12V)
- 7-952 (37MT, 12V)
- 7-953 (37MT, 12V)
- 7-957 (37MT, 12V)
- 7-958 (37MT, 12V)
- 7-959 (37MT, 24V)
- 7-960 (37MT, 12V)
- 7-1108 (37MT, 12V)
- 7-1124 (37MT, 24V)
- 66-104-1 (37MT, 12V)
- 66-105-2 (37MT, 24V)
- 66-117-2 (37MT, 12V)
- 66-118-5 (37MT, 12V)
- 66-123-5 (37MT, 24V)
- 66-127-5 (37MT, 12V)
- 66-135-1 (37MT, 12V)
- 66-144-5 (37MT, 24V)
- 66-148-1 (37MT, 12V)
- 7-942 (42MT, 12V)
- 7-943 (42MT, 24V)
- 7-954 (42MT, 12V)
- 7-955 (42MT, 24V)
- 7-956 (42MT, 12V)
- 7-961 (42MT, 24V)
- 7-1047 (42MT, 12V)
- 66-113-2 (42MT, 12V)
- 66-114-2 (42MT, 24V)
- 66-115-5 (42MT, 12V)
- 66-128-1 (42MT, 12V)
- 66-129-1 (42MT, 24V)
- 7-1046 (41MT, 24V)
- 7-1121 (41MT, 12V)
- 7-1122 (41MT, 12V)
- 7-955 (41MT, 24V)
- 66-145-2 (41MT, 24V)



- 66-1208 (12V, Repair Kit)
- 66-1209 (24V, Repair Kit)
- 66-1214 (12V, Repair Kit)

# DELCO 37-42MT SOLENOIDS

WAI No.	Description	WAI No.	Description
7-922	SOLENOID - 37MT, 24V (1/2 Batt., 1/2 Motor Terms., Insul. Base, RH S-Term., Accurate)	66-128-1	SOLENOID - 42MT, 12V (RH S-Term., Silver Contacts)
7-924	SOLENOID - 37MT, 24V (1/2 Batt., 1/2 Motor Terms., Grd. Base, RH S-Term., Accurate)	66-129-1	SOLENOID - 42MT, 24V (LH S-Term.)
7-931	SOLENOID - 37MT, 12V (1/2 Batt., 1/2 Motor Terms., Grd. Base, RH S-Term., Accurate)	66-135-1	SOLENOID - 37MT, 12V (1/2 Batt., 1/2 Motor Terms., Insul. Base, RH S-Term. w/ 43mm L Batt. Term.)
7-937	SOLENOID - 37MT, 12V (1/2 Batt., 3/8 Motor Terms., Grd. Base, RH S-Term., Accurate)	66-144-5	SOLENOID - 37MT, 24V (1/2 Batt., 1/2 Motor Terms., Grd. Base, RH S-Term. Jump-Start Protection Cap)
7-941	SOLENOID - 37MT, 12V (1/2 Batt., 1/2 Motor Terms., Grd. Base, LH S-Term., Accurate)	66-145-2	SOLENOID - 41MT, 24V (1/2 Batt., 1/2 Motor Terms., Insul. Base, RH S-Term.)
7-942	SOLENOID - 42MT, 12V (RH S-Term., Accurate)	66-148-1	SOLENOID - 37MT, 12V (1/2 Batt., 1/2 Motor Terms., Grd. Base, RH S-Term., Jump-Start Protection Cap)
7-943	SOLENOID - 42MT, 24V (RH S-Term., Accurate)	66-1208	SOLENOID REPAIR KIT - 42MT for 66-113 Soln. (12V)
7-949	SOLENOID - 37MT, 12V (3/8 Batt., 1/2 Motor Terms., Grd. Base, RH S-Term., Accurate)	66-1209	SOLENOID REPAIR KIT - 37MT, 42MT for 66-105, 66-114, 66-128 Soln. (24V)
7-952	SOLENOID - 37MT, 12V (3/8 Batt., 3/8 Motor Terms., Grd. Base, RH S-Term., Accurate)	66-1214	SOLENOID REPAIR KIT - 37MT, 41MT for 66-117, 66-119, 66-127 Solns. (12V)
7-953	SOLENOID - 37MT, 12V (1/2 Batt., 3/8 Motor Terms., Grd. Base, LH S-Term., Accurate)	66-1303	SOLENOID CAP (4-Terms., 1/2 Batt., 1/2 Motor Term. Holes, RH S-Term. Hole)
7-954	SOLENOID - 42MT, 12V (LH S-Term., Accurate)	66-1310	SOLENOID CAP (3-Terms., 1/2 Batt., 1/2 Motor Term. Holes, RH S-Term. Hole)
7-955	SOLENOID - 42MT, 24V (LH S-Term., Accurate)	66-1315	SOLENOID CAP (4-Terms., 1/2 Batt., 1/2 Motor Term. Holes, RH S-Term., Jump-Start Protection Cap)
7-956	SOLENOID - 42MT, 12V (RH S-Term., Silver Contacts, Accurate)	66-1409	SEAL - Batt., Motor Terms. (1/2 ID)
7-957	SOLENOID - 37MT, 12V (1/2 Batt., 1/2 Motor Terms., Insul. Base, LH S-Term., Accurate)	66-1410	SEAL - Grd., Switch Terms. (No. 10 ID)
7-958	SOLENOID - 37MT, 12V (1/2 Batt., 1/2 Motor Terms., Insul. Base, RH S-Term., Accurate)	66-1411	GASKET - Cap
7-959	SOLENOID - 37MT, 24V (1/2 Batt., 1/2 Motor Terms., Grd. Base, RH S-Term. Jump-Start Protection Cap, Accurate)	66-1552	RETURN SPRING - Movable Contact
7-960	SOLENOID - 37MT, 12V (1/2 Batt., 1/2 Motor Terms., Grd. Base, RH S-Term., Jump-Start Protection Cap, Accurate)	66-1701	MOVABLE CONTACT ASSY. (Cadmium Plated Movable Contact)
7-961	SOLENOID - 42MT, 24V (RH S-Term., Jump-Start Protection Cap, Accurate)	66-1701-1	MOVABLE CONTACT ASSY. (Silver Plated Movable Contact)
7-1046	SOLENOID - 41MT, 24V (1/2 Batt., 1/2 Motor Terms., Grd. Base, RH S-Term., Jump-Start Protection Cap, Accurate)	66-1758	CONNECTOR - Grd., Switch Terms.
7-1047	SOLENOID - 42MT, 12V (RH S-Term., Jump-Start Protection Cap, Accurate)	66-1759	CONNECTOR - Motor Term. (1/2 Square Hole)
7-1108	SOLENOID - 37MT, 12V (1/2 Batt., 1/2 Motor Terms., Insul. Base, RH S-Term. w/ 43mm L Batt. Term., Accurate)	66-1760	NYLON BUSHING - Plunger Rod
7-1121	SOLENOID - 41MT, 12V (1/2 Batt., 1/2 Motor Terms., Insul. Base, RH S-Term., Accurate)	66-1762	CONNECTOR - Motor Term. (3/8 Square Hole)
7-1122	SOLENOID - 41MT, 12V (1/2 Batt., 1/2 Motor Terms., Grd. Base, RH S-Term., Accurate)	76-1564	STATIONARY CONTACT - Battery (1/2-13 x 2-1/8 L, Copper Contact)
7-1124	SOLENOID - 37MT, 24V (1/2 Batt., 1/2 Motor Terms., Insul. Base, RH S-Term., Accurate)	76-1565	STATIONARY CONTACT - Motor (1/2-13 x 1-3/4 L, Copper Contact)
7-1152	SOLENOID - 41MT, 24V (1/2 Batt., 1/2 Motor Terms., Insul. Base, RH S-Term., Accurate)	76-1566	STATIONARY CONTACT - Battery (1/2-13 x 2-1/8 L, Silver Contact)
66-104-1	SOLENOID - 37MT, 12V (3/8 Batt., 3/8 Motor Terms., Grd. Base, RH S-Term.)	76-1567	STATIONARY CONTACT - Motor (1/2-13 x 1-3/4 L, Silver Contact)
66-105-2	SOLENOID - 37MT, 24V (1/2 Batt., 1/2 Motor Terms., Insul. Base, RH S-Term.)	76-1569	TERMINAL POST - Grd., Switch (10-32 x 3/4 L)
66-113-2	SOLENOID - 42MT, 12V (RH S-Term.)	76-1575	STATIONARY CONTACT - Battery (3/8-16 x 1-3/4 L, 1/2 Dia. Shoulder, Copper Contact)
66-114-2	SOLENOID - 42MT, 24V (RH S-Term.)	76-1576	STATIONARY CONTACT - Motor (1/2-13 x 1-1/8 L, Tapped 1/4-20, Copper Contact)
66-115-5	SOLENOID - 42MT, 12V (LH S-Term.)	76-1579	TERMINAL POST - Grd., Dummy Terms. w/ Jump Start Protection Cap (10-32 x 1-1/4 L)
66-117-2	SOLENOID - 37MT, 12V (1/2 Batt., 1/2 Motor Terms., Grd. Base, RH S-Term.)	76-1585	STATIONARY CONTACT - Motor (1/2-13 x 1-1/8 L, Tapped 1/4-20, Silver Contact)
66-118-5	SOLENOID - 37MT, 12V (1/2 Batt., 1/2 Motor Terms., Grd. Base, LH S-Term.)	84-1402	SCREW - Motor Term. (1/4-20 x 1/2 L, Hex)
66-123-5	SOLENOID - 37MT, 24V (1/2 Batt., 1/2 Motor Terms., Grd. Base, RH S-Term.)	84-2305	HEX NUT - Grd., Switch Terms. (10-32 x 3/8 F x 1/8 T, w/ Att. Washer)
66-127-5	SOLENOID - 37MT, 12V (1/2 Batt., 1/2 Motor Terms., Insul. Base, RH S-Term., Accurate)	84-2503	HEX NUT - Batt., Motor Terms. (3/8-16 x 5/8 F x 1/4 T)
		84-2600-1	HEX NUT - Batt. Term. (1/2-13 x 3/4 F x 7/16 T)
		84-2602	HEX NUT - Batt., Motor Terms. (1/2-13 x 3/4 F x 5/16 T)
		84-4304	FLAT WASHER - Grd, Switch Terms. (#10 ID)
		84-4506	FLAT WASHER - Batt., Motor Terms. (3/8 ID)
		84-4507	FLAT WASHER - Batt., Motor Terms. (3/8 ID)
		84-4617	FLAT WASHER - Batt., Motor Terms. (1/2 ID)
		84-9302	SCREW - Cap (10-32 x 3/4 L, Hex)

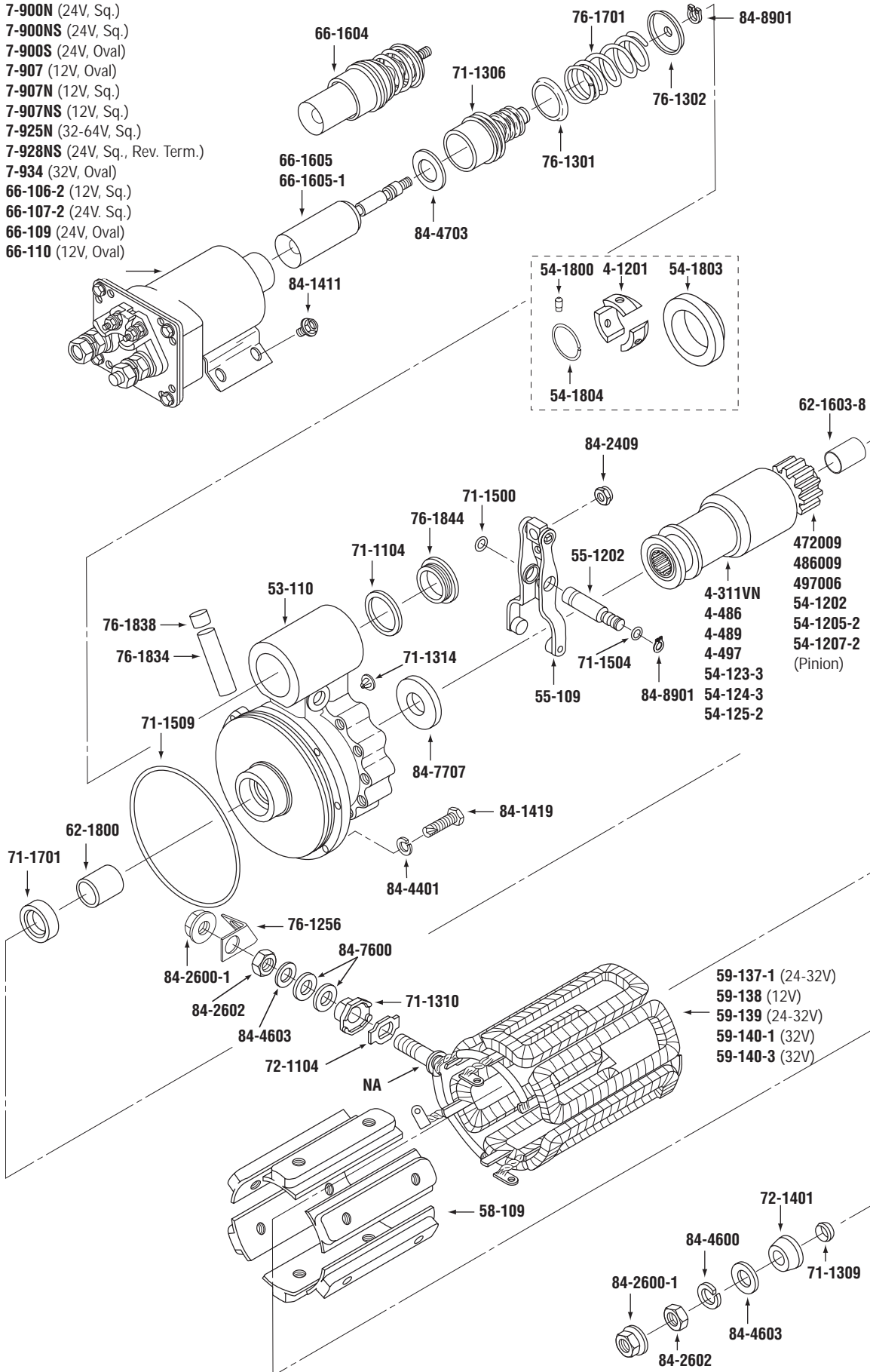
DELCO 42MT SOLENOIDS

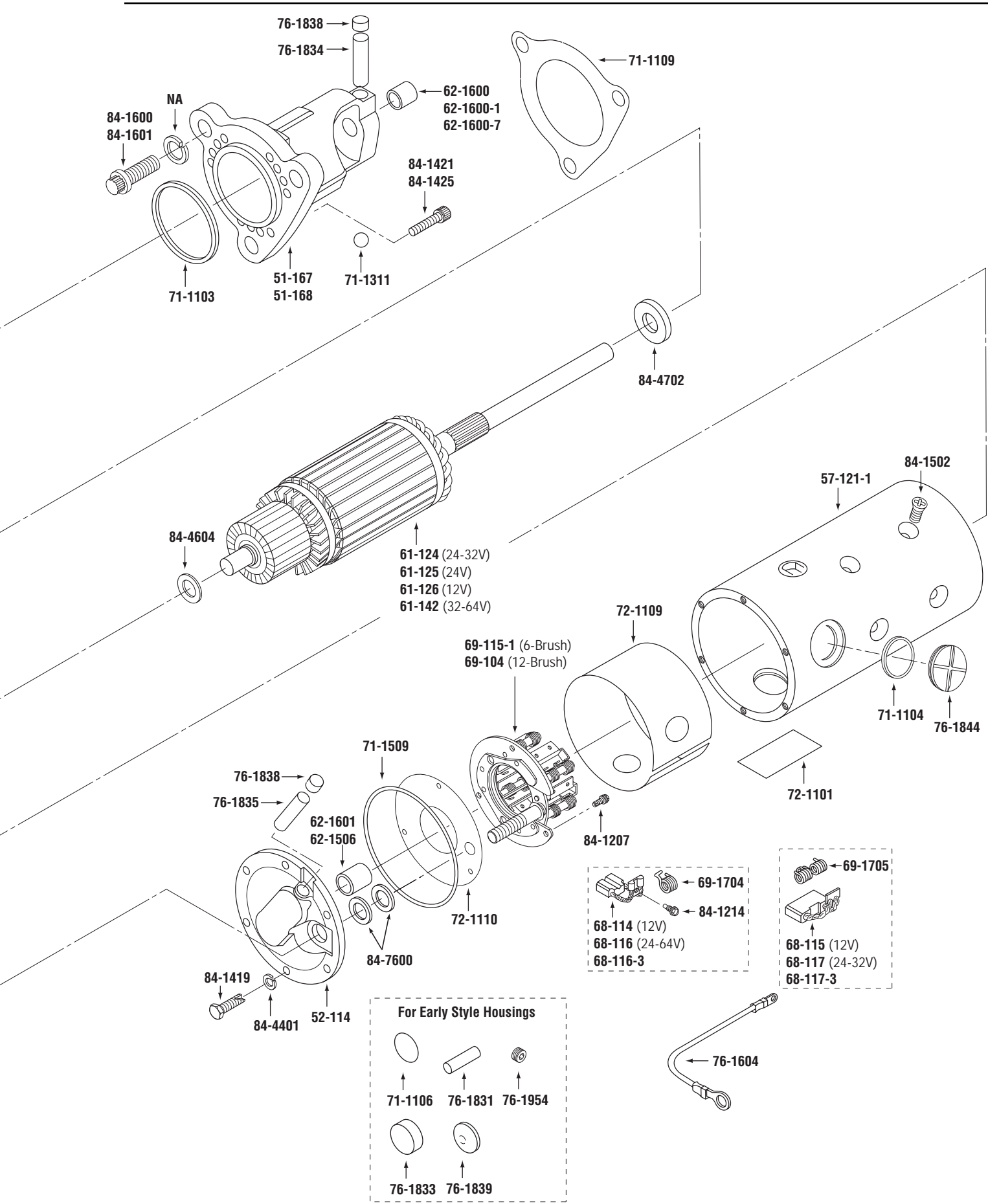


# DELCO 50MT SERIES

DELCO 50MT SERIES

- 7-900N (24V, Sq.)
- 7-900NS (24V, Sq.)
- 7-900S (24V, Oval)
- 7-907 (12V, Oval)
- 7-907N (12V, Sq.)
- 7-907NS (12V, Sq.)
- 7-925N (32-64V, Sq.)
- 7-928NS (24V, Sq., Rev. Term.)
- 7-934 (32V, Oval)
- 66-106-2 (12V, Sq.)
- 66-107-2 (24V, Sq.)
- 66-109 (24V, Oval)
- 66-110 (12V, Oval)





# DELCO 50MT SERIES (cont'd.)

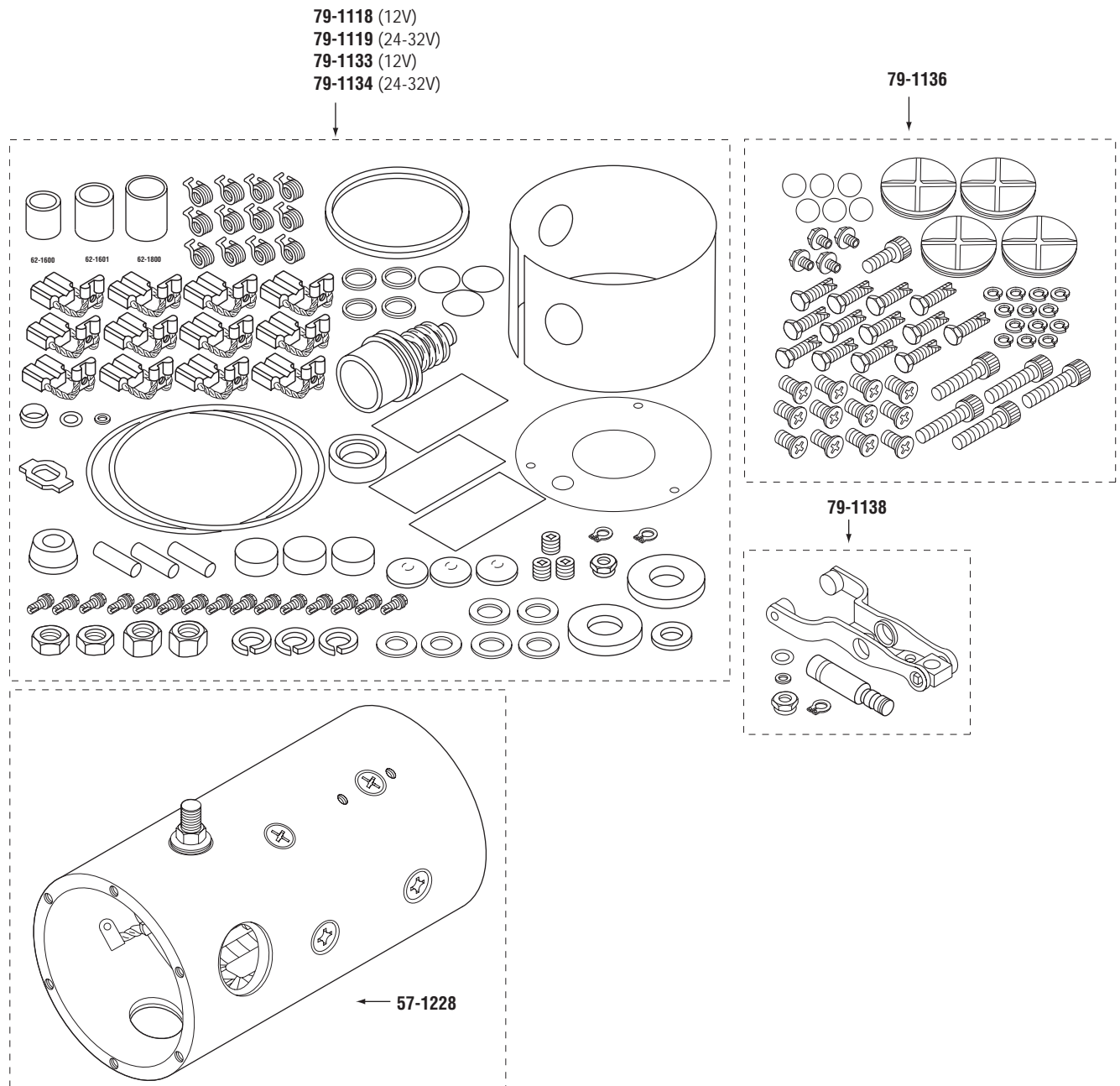
WAI No.	Description
4-311VN	STARTER DRIVE (12-T, CW, 19-SPL, 168mm L, Accurate AccuSure)
4-486	STARTER DRIVE (11-T, CW, 19-SPL,, Accurate AccuSure)
4-489	STARTER DRIVE (12-T, CW, 19-SPL, Accurate AccuSure)
4-497	STARTER DRIVE (11-T, CCW, 19-SPL, Accurate AccuSure)
4-1201	CENTRIFUGAL WEIGHT - Positive Engagement Drives
7-900N	SOLENOID - 24V (Square Plate, Chrome/Copper Contacts, Accurate)
7-900NS	SOLENOID - 24V (Square Plate, Silver Contacts, Accurate)
7-900S	SOLENOID - 24V (Oval Plate, Silver Contacts, Accurate)
7-907	SOLENOID - 12V (Oval Plate, Copper Contacts, Accurate)
7-907N	SOLENOID - 12V (Square Plate, Copper Contacts, Accurate)
7-907NS	SOLENOID - 12V (Square Plate, Silver Contacts, Accurate)
7-925N	SOLENOID - 32-64V (Square Plate, Silver Contacts, Accurate)
7-928NS	SOLENOID - 24V (Square Plate, Silver Contacts, Reverse Term., Accurate)
7-934	SOLENOID - 32V (Oval Plate, Silver Contacts, Accurate)
51-167	D.E. HOUSING (Cast Iron, 5/8 3-Ear Flg. Mtg.)
51-168	D.E. HOUSING (Cast Iron, 5/8 3-Ear Flg. Mtg.)
52-114	C.E. FRAME - CW Rotation Strs.
53-110	LEVER HOUSING
54-123-3	STARTER DRIVE (11-T, CW, 19-SPL)
54-124-3	STARTER DRIVE (12-T, CW, 19-SPL)
54-125-2	STARTER DRIVE (11-T, CCW, 19-SPL)
54-1202	PINION GEAR - Str. Drive (11-T, CW, 15-Ratchet)
54-1205-2	PINION GEAR - Str. Drive (12-T, CW, 17-Ratchet)
54-1207-2	PINION GEAR - Str. Drive (11-T, CCW, 15-Ratchet)
54-1800	PIN - Positive Engagement Drives
54-1803	CUSHION - Positive Engagement Drives
54-1804	RETAINING RING - Positive Engagement Drives
55-109	SHIFT LEVER (3/8 Dia. Plunger Rod Hole)
55-1202	SHAFT - Shift Lever (2-9/32 L)
57-121-1	FIELD CASE
57-1228	FIELD CASE ASSY. - 24-32V, CW Rotation
58-109	POLE SHOE
59-137-1	FIELD COIL - 24-32V, CW Rotation
59-138	FIELD COIL - 12V, CW Rotation
59-139	FIELD COIL - 24-32V, CCW Rotation
59-140-1	FIELD COIL - 32V, CW Rotation
59-140-3	FIELD COIL - 32V, CW Rotation
61-124	ARMATURE - 24-32V (Ref# 2097)
61-125	ARMATURE - 24V (Ref# 1981)
61-126	ARMATURE - 12V (Ref# 2739)
61-142	ARMATURE - 32-64V (Ref# 1993)
62-1506	BUSHING - C.E. (.5670 ID x .7750 OD x 1.0 L)
62-1600	BUSHING - D.E. (Prefit, .6290 ID x .7555 OD x .865 L)
62-1600-1	BUSHING - D.E. (1X-Undersize, .6265 ID x .7555 OD x .865 L)
62-1600-7	REPAIR BUSHING - D.E. (Oversize, .6255 ID x .8630 OD x .965 L)
62-1601	BUSHING - C.E. (Prefit, .6880 ID x .8780 OD x 1.120 L)
62-1603-8	BUSHING - Drive (Split Type, .6290 ID x .6870 OD x .986 L)
62-1800	BUSHING - L.H. (Prefit, .8380 ID x .9605 OD x 1.250 L)
66-106-2	SOLENOID - 12V (Square Plate, Copper Contacts)
66-107-2	SOLENOID - 24V (Square Plate, Silver Contacts)

WAI No.	Description
66-109	SOLENOID - 24V (Oval Plate, Silver Contacts)
66-110	SOLENOID - 12V (Oval Plate, Copper Contacts)
66-1604	PLUNGER ASSEMBLY (w/ 66-1605 Plunger)
66-1605	PLUNGER - Solenoid (3/8 Dia. Mtg. Shoulder)
66-1605-1	PLUNGER - Solenoid (3/8 Dia. Mtg. Shoulder)
68-114	BRUSH - 12V, Ref# R-121, 12-Req.
68-115	BRUSH - 12V, Ref# R-124, 6-Req.
68-116	BRUSH - 24-64V, Ref# R-92, 12-Req.
68-116-3	BRUSH - 24-64V, Ref# R-92, 12-Req.
68-117	BRUSH - 24-32V, Ref# R-124H, 6-Req.
68-117-3	BRUSH - 24-32V, Ref# R-124H, 6-Req.
69-104	BRUSH HOLDER ASSY. (wo/ 12-Brushes)
69-115-1	BRUSH HOLDER ASSY. (wo/ 6-Brushes)
69-1704	BRUSH SPRING - 8-Req.
69-1705	BRUSH SPRING - 6-Req.
71-1103	GASKET - D.E. Hsg. to L.H. (3 ID x 3-3/8 OD)
71-1104	GASKET - Inspection Plug L.H. Field Case
71-1106	GASKET - Expansion Plug Early Style Hsgs.
71-1109	GASKET - Wet Clutch Str. Mounting
71-1306	BOOT - Solenoid Plunger
71-1309	INSULATOR - C.E. Term. (Rubber)
71-1310	GROMMET - Field Coil Term. (1/2 ID, Rubber)
71-1311	PLUG - D.E. Mtg. Holes
71-1314	PLUG - Lever Housing
71-1500	O-RING - Shift Lever (3/8 ID x 1/2 OD)
71-1504	O-RING - Shift Lever (1/4 ID x 3/8 OD x 1/16 W)
71-1509	O-RING - L.H., C.E. Frame
71-1701	OIL SEAL - L.H. (49/64 ID x 3/8 W)
72-1101	INSULATOR - Field Coil (1-1/2 W x 3 L)
72-1104	INSULATOR - Field Coil Term. (1/2 ID, Fiber)
72-1109	INSULATOR - Field Coil (3.15 W x 14 L)
72-1110	INSULATOR - Brush Plate
72-1401	INSULATOR - C.E. Term. Stud (1/2 ID, Bakelite)
76-1256	CONNECTOR - Field Coil to Soln.
76-1301	RETAINER - Plunger Spring (1-13/64 ID)
76-1302	RETAINER - Plunger Spring (13/32 ID)
76-1604	WIRE LEAD - C.E. Term. to Soln.
76-1701	SPRING - Plunger
76-1831	OIL WICK - Early Style Hsgs. (5/16 OD x 2-3/8 L)
76-1833	OIL WICK - Early Style Hsgs. (15/16 OD x 5/16 T)
76-1834	OIL WICK - D.E., L.H. (1/2 OD x 2-1/4 L)
76-1835	OIL WICK - C.E. (1/2 OD x 1-15/16 L)
76-1838	PLUG - Oil Reservoir, D.E., L.H., C.E.
76-1839	EXPANSION PLUG - Early Style Hsgs. (1-1/32 Dia.)
76-1844	INSPECTION PLUG - L.H., Field Case
76-1954	PIPE PLUG - Oil Reservoir, Early Style Hsgs.
79-1118	REPAIR KIT - 12V Strs. (12-Brush Design)
79-1119	REPAIR KIT - 24-32V Strs. (12-Brush Design)
79-1133	REPAIR KIT - 12V Strs. (6-Brush Design)
79-1134	REPAIR KIT - 24-32V Strs. (6-Brush Design)
79-1136	HARDWARE KIT
79-1138	SHIFT LEVER KIT
84-1207	SCREW - Brush Holder (8-32 x 1/2 L, Hex, Thd. Cut.)
84-1214	SCREW - Brush (8-32 x 1/2 L, Slotted Hex)
84-1411	SCREW - Soln. Mtg. (1/4-20 x 5/16 L, Hex)
84-1419	SCREW - C.E., L.H. (1/4-28 x 1 L, Hex, Thd. Cut.)
84-1421	SCREW - D.E. Hsg. (5/16-18 x 1-1/2 L, Socket Head)
84-1425	SCREW - D.E. Hsg. (5/16-18 x 7/8 L, Socket Head)
84-1502	SCREW - Pole Shoe (3/8-24 x 5/8 L, Phillips)
84-1600	BOLT - D.E. Mtg. (5/8-11 x 1-3/4 L, 12-Point Head)
84-1601	BOLT - D.E. Mtg. (5/8-11 x 2-1/2 L, 12-Point Head)
84-2409	HEX NUT - Plunger (5/16-24 x 1/2 F x 1/4 T, Nylon Lock)
84-2600-1	HEX NUT - Field Coil, C.E. Term. (1/2-13 x 3/4 F x 7/16 T)

# DELCO 50MT SERIES (cont'd.)

WAI No.	Description
84-2602	HEX NUT - Field Coil, C.E. Term. (1/2-13 x 3/4 F x 5/16 T)
84-4401	LOCK WASHER - C.E., L.H. (1/4 ID, Split)
84-4600	LOCK WASHER - C.E. Term. (1/2 ID, Split)
84-4603	FLAT WASHER - C.E. Term., Field Coil (1/2 ID)
84-4604	THRUST WASHER - C.E. (11/16 ID, Steel)
84-4702	SPACER - L.H. (27/32 ID x .190 T)
84-4703	FLAT WASHER - Plunger (27/32 ID)
84-7600	INSULATING WASHER - C.E. Term., Field Coil (1/2 ID)

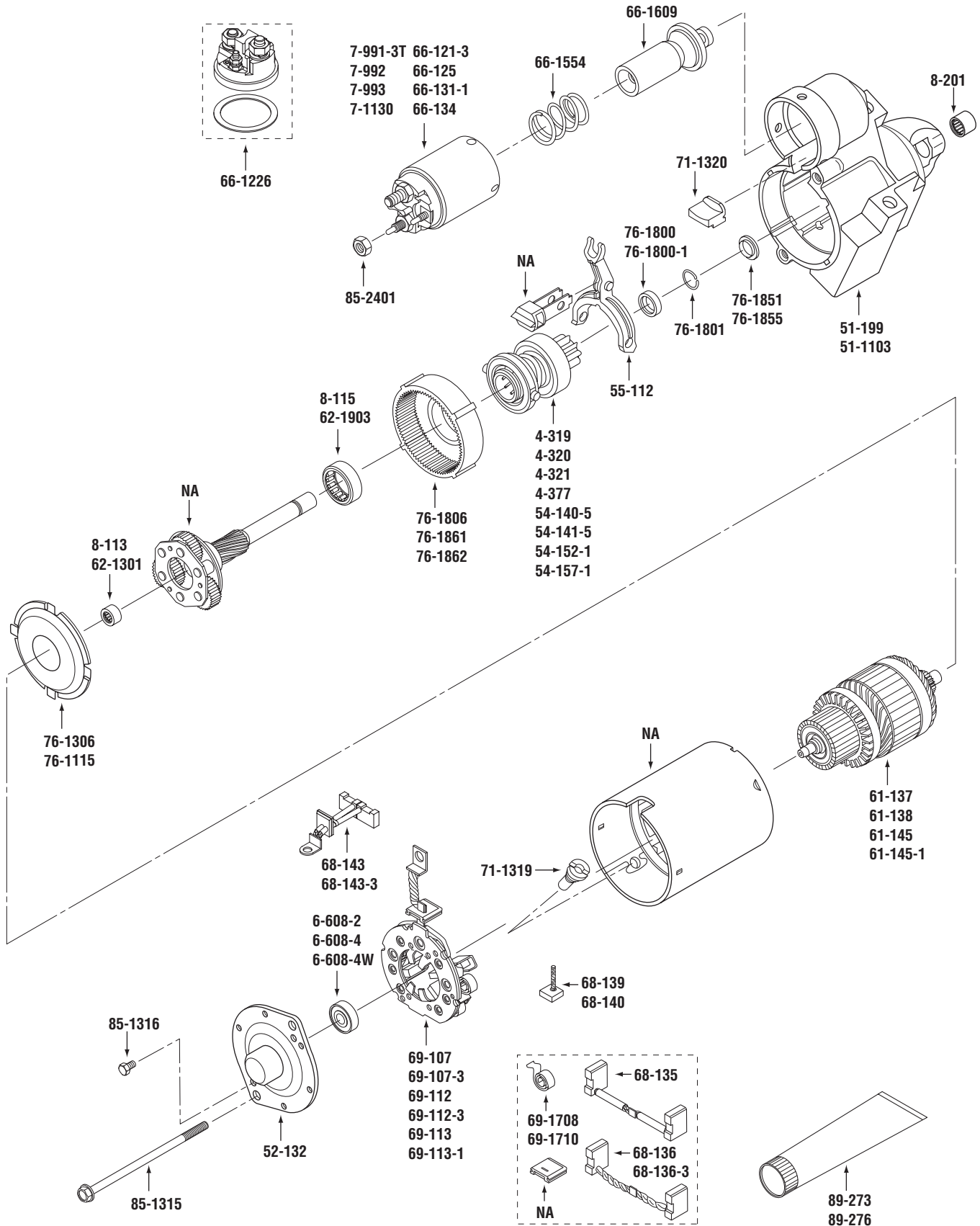
WAI No.	Description
84-7707	BRAKE WASHER - L.H. (13/16 ID x 1-7/8 OD, Fiber)
84-8901	SNAP RING - Plunger, Shift Lever (.338 ID x .025 T, Ext.)
472009	PINION GEAR - Str. Drive (12-T, CW, 15-Ratchet, Accurate)
486009	PINION GEAR - Str. Drive (11-T, CW, 15-Ratchet, Accurate)
497006	PINION GEAR - Str. Drive (11-T, CCW, 15-Ratchet, Accurate)



**DELCO 50MT SERIES**

# DELCO PG100, PG200 SERIES

DELCO PG100, PG200 SERIES



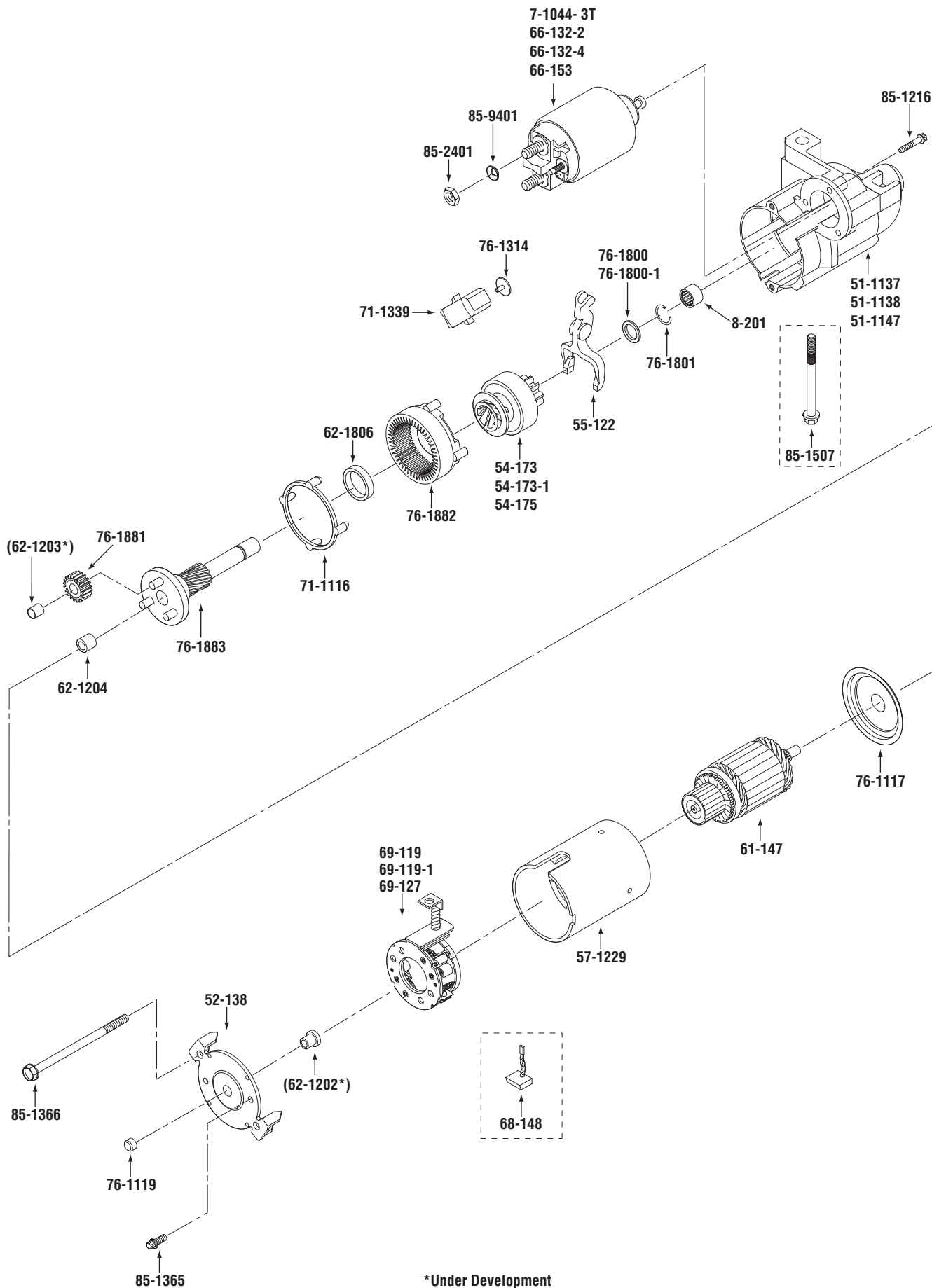
# DELCO PG100, PG200 SERIES

<b>WAI No.</b>	<b>Description</b>	<b>WAI No.</b>	<b>Description</b>
<b>4-319</b>	STARTER DRIVE - PG100, 150 Series Strs. (9-T, CW, 6-SPL, Accurate)	<b>66-1226</b>	SOLENOID CAP ASSY. (Aftermarket Design w/ Solid Motor Term.)
<b>4-320</b>	STARTER DRIVE - PG200 Series Strs. (9-T, CW, 3-SPL, Accurate)	<b>66-1554</b>	PLUNGER SPRING - Plunger
<b>4-321</b>	STARTER DRIVE - PG200, 250 Series Strs. (9-T, CW, 6-SPL, Accurate)	<b>66-1609</b>	PLUNGER - Solenoid
<b>4-377</b>	STARTER DRIVE - 21020761 PG150S Str. (9-T, CW, 6-SPL, 45mm L, Accurate)	<b>68-135</b>	BRUSH - Field, PG200, 250 Series Strs. (Early Style)
<b>6-608-2</b>	BALL BEARING - C.E. (Dbl. Shielded)	<b>68-136</b>	BRUSH - Grd., PG200, 250 Series Strs.
<b>6-608-4</b>	BALL BEARING - C.E. (Dbl. Sealed)	<b>68-136-3</b>	BRUSH - Grd., PG200, 250 Series Strs.
<b>6-608-4W</b>	BALL BEARING - C.E. (Dbl. Sealed, WBD)	<b>68-139</b>	BRUSH - PG100 Series Strs., 4-Req.
<b>7-991-3T</b>	SOLENOID (M8 x 1.25 Batt. Term., Accurate)	<b>68-140</b>	BRUSH - PG150 Series Strs., 4-Req.
<b>7-992</b>	SOLENOID (M10 x 1.5 Batt. Term., Accurate)	<b>68-143</b>	BRUSH - Field, PG200, 250 Series Strs. (Late Style w/ Grommet & Terminal)
<b>7-993</b>	SOLENOID - PG100, 150 Series Strs. (M8 x 1.25 Batt. Term., M6 x 1.0 S-Term., Accurate)	<b>68-143-3</b>	BRUSH - Field, PG200, 250 Series Strs. (Late Style w/ Grommet & Terminal)
<b>7-1130</b>	SOLENOID - 21020761 PG150S Str. (M5 x 0.8 Thd. Mtg. Holes, Accurate)	<b>69-107</b>	BRUSH HOLDER ASSY. - PG200, 250 Series Strs. (w/ Brushes)
<b>8-113</b>	NEEDLE BEARING - Planetary Shaft, PG200, 250 Series Strs. (9.5mm ID x 14.3mm OD x 7.9mm W)	<b>69-107-3</b>	BRUSH HOLDER ASSY. - PG200, 250 Series Strs. (w/ Brushes)
<b>8-115</b>	NEEDLE BEARING - Stationary Gear, PG200, 250 Series Strs. (25.4mm ID x 31.7mm OD x 9.5mm W)	<b>69-112</b>	BRUSH HOLDER ASSY. - PG100 Series Strs.
<b>8-201</b>	NEEDLE BEARING - D.E. (12mm ID x 16mm OD x 10mm W)	<b>69-112-3</b>	BRUSH HOLDER ASSY. - PG100 Series Strs.
<b>51-199</b>	D.E. HOUSING - 9000719, 735, 762, 768, 789 Strs. (10mm Pad Mtg.)	<b>69-113</b>	BRUSH HOLDER ASSY. - PG150 Series Strs. (40mm LL, w/ Brushes)
<b>51-1103</b>	D.E. HOUSING - PG250 Series Strs. (10mm Pad Mtg.)	<b>69-113-1</b>	BRUSH HOLDER ASSY. - PG150 Series Strs. (40mm LL, w/ Brushes)
<b>52-132</b>	C.E. FRAME - PG150 Series Strs.	<b>69-1708</b>	BRUSH SPRING - PG200, 250 Series Strs.
<b>54-140-5</b>	STARTER DRIVE - PG200 Series Strs. (9-T, CW, 3-SPL)	<b>69-1710</b>	BRUSH SPRING - PG150 Series Strs.
<b>54-141-5</b>	STARTER DRIVE - PG200, 250 Series Strs. (9-T, CW, 6-SPL)	<b>71-1319</b>	DRAIN TUBE - Field Case, PG200, 250 Series Strs.
<b>54-152-1</b>	STARTER DRIVE - PG100, 150 Series Strs. (9-T, CW, 6-SPL)	<b>71-1320</b>	PLUG - Shift Lever Support, PG200, 250 Series Strs.
<b>54-157-1</b>	STARTER DRIVE - 21020761 PG150S Str. (9-T, CW, 6-SPL, 45mm L)	<b>76-1115</b>	COVER - Planetary Gears, 21020761 PG150S Str.
<b>55-112</b>	SHIFT LEVER - PG200, 250 Series Strs.	<b>76-1306</b>	COVER - Planetary Gears, PG200, 250 Series Strs.
<b>61-137</b>	ARMATURE - PG200 Series Strs. (24-SPL)	<b>76-1800</b>	STOP COLLAR (12mm ID x 17.3mm OD)
<b>61-138</b>	ARMATURE - PG200, 250 Series Strs. (31-SPL)	<b>76-1800-1</b>	STOP COLLAR (12mm ID, Mfd. By OE Supplier)
<b>61-145</b>	ARMATURE - 21020761 PG150S Str. (128mm OAL, 16-SPL, OE)	<b>76-1801</b>	RETAINING RING - Stop Collar (7/16 ID)
<b>61-145-1</b>	ARMATURE - 21020761 PG150S Str. (128mm OAL, 16-SPL)	<b>76-1806</b>	STATIONARY GEAR - 21020761 PG150S Str. (50-Teeth, 48mm Gear ID)
<b>62-1301</b>	BUSHING - Planetary Shaft (9.64mm ID x 14.27mm OD x 8.3mm L)	<b>76-1851</b>	THRUST COLLAR - PG200, 250 Series Strs. (20mm OD x 4.0mm L)
<b>62-1903</b>	BUSHING - Stationary Gear (25.60mm ID x 31.80mm OD x 9.2mm L)	<b>76-1855</b>	THRUST COLLAR - PG100, 150 Series Strs. (12mm ID x 19mm OD)
<b>66-121-3</b>	SOLENOID (M8 x 1.25 Batt. Term.)	<b>76-1861</b>	STATIONARY GEAR - PG100 Series Strs. (Plastic, 64-Teeth, 47mm Gear ID)
<b>66-125</b>	SOLENOID (M10 x 1.5 Batt. Term.)	<b>76-1862</b>	STATIONARY GEAR - PG150 Series Strs. (Plastic, 50-Teeth, 48mm Gear ID)
<b>66-131-1</b>	SOLENOID - PG100, 150 Series Strs. (M8 x 1.25 Batt. Term., M6 x 1.0 S-Term.)	<b>85-1315</b>	THRU BOLT - PG200, 250 Series Strs. (M6 x 1.0 x 119mm L)
<b>66-134</b>	SOLENOID - 21020761 PG150S Str. (M5 x 0.8 Thd. Mtg. Holes)	<b>85-1316</b>	SCREW - Brush Holder Assy., PG200, 250 Series Strs. (M5 x 0.8 x 8mm L, Hex)
		<b>85-2401</b>	HEX NUT - Soln. Term. (M8 x 1.25 x 13mm F x 5mm T)
		<b>89-273</b>	GREASE - Solenoid Plunger Bore (1 oz. Tube)
		<b>89-276</b>	GREASE - Solenoid Plunger Bore (1 lb. Container)

**DELCO PG100, PG200 SERIES**

# DELCO PG260D SERIES

DELCO PG260D SERIES



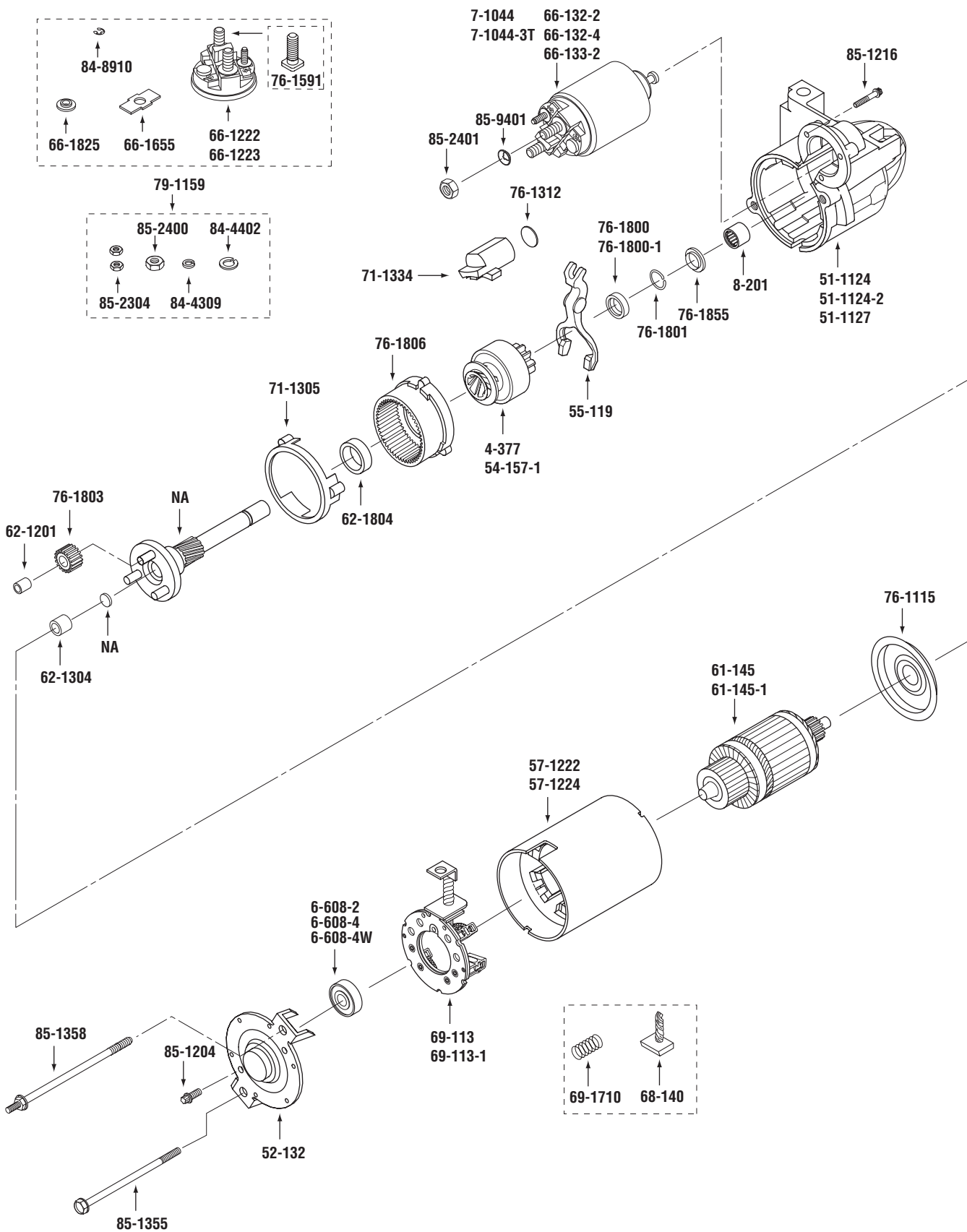
<b>WAI No.</b>	<b>Description</b>
<b>7-1044-3T</b>	SOLENOID (3-Term., Accurate)
<b>8-201</b>	NEEDLE BEARING - D.E. (12mm ID x 16mm OD x 10mm W)
<b>51-1137</b>	D.E. HOUSING (10mm Pad Mtg., Straight)
<b>51-1138</b>	D.E. HOUSING (11mm 2-Ear Flg. Mtg.)
<b>51-1147</b>	D.E. HOUSING (10mm Pad Mtg., Staggered)
<b>52-138</b>	C.E. FRAME
<b>54-173</b>	STARTER DRIVE (9-T, CW, 6-SPL, 25.5mm Gear OD)
<b>54-173-1</b>	STARTER DRIVE (9-T, CW, 6-SPL, 25.5mm Gear OD)
<b>54-175</b>	STARTER DRIVE (9-T, CW, 6-SPL, 29mm Gear OD)
<b>55-122</b>	SHIFT LEVER
<b>57-1229</b>	FIELD CASE ASSY.
<b>61-147</b>	ARMATURE (109mm OAL, 10-SPL)
<b>62-1202*</b>	BUSHING - C.E. (6.0mm ID x 8.75mm OD x 11.5mm L)
<b>62-1203*</b>	BUSHING - Planetary Gear (6.0mm ID x 8.75mm OD x 8.45mm L)
<b>62-1204</b>	BUSHING - Planetary Shaft (7.0mm ID x 12.0mm OD x 7.1mm L)
<b>62-1806</b>	BUSHING - Stationary Gear (22.28mm ID x 26.73mm OD x 5.5mm L)
<b>66-132-2</b>	SOLENOID (3-Terms.)
<b>66-132-4</b>	SOLENOID (3-Terms., Latest OE Vented Design)
<b>66-153</b>	SOLENOID - Nissan 23300-8U300 Str. (3-Terms.)
<b>68-148</b>	BRUSH
<b>69-119</b>	BRUSH HOLDER ASSY. (69mm Motor Lead)
<b>69-119-1</b>	BRUSH HOLDER ASSY. (69mm Motor Lead)
<b>69-127</b>	BRUSH HOLDER ASSY. (106mm Motor Lead)
<b>71-1116</b>	SEAL - Stationary Gear
<b>71-1339</b>	PLUG - Shift Lever Support
<b>76-1117</b>	COVER - Planetary Shaft Assy.
<b>76-1119</b>	COVER - C.E. Frame
<b>76-1314</b>	PIVOT PAD - Shift Lever
<b>76-1800</b>	STOP COLLAR (12mm ID x 17.3mm OD)
<b>76-1800-1</b>	STOP COLLAR (12mm ID, Mfd. By OE Supplier)
<b>76-1801</b>	RETAINING RING - Stop Collar (7/16 ID)
<b>76-1881</b>	PLANETARY GEAR (20-Teeth, 22mm Gear OD)
<b>76-1882</b>	STATIONARY GEAR (50-Teeth)
<b>76-1883</b>	PLANETARY SHAFT
<b>85-1216</b>	SCREW - Solenoid (M4 x 0.7 x 22.5mm L, E5 Torx, Thd. Form.)
<b>85-1365</b>	SCREW - Brush Holder Assy. (M5 x 0.8 x 9mm L, E6 Torx)
<b>85-1366</b>	THRU BOLT (M6 x 1.0 x 101mm L)
<b>85-1507</b>	BOLT - D.E. Mtg. (M10 x 1.5 x 113mm L)
<b>85-2401</b>	HEX NUT - Soln. Batt., Motor Terms. (M8 x 1.25 x 13mm F x 5mm T)
<b>85-9401</b>	LOCK WASHER - Batt., Motor Terms. (8mm ID, Conical)

\*Under Development



# DELCO PG260F1 SERIES

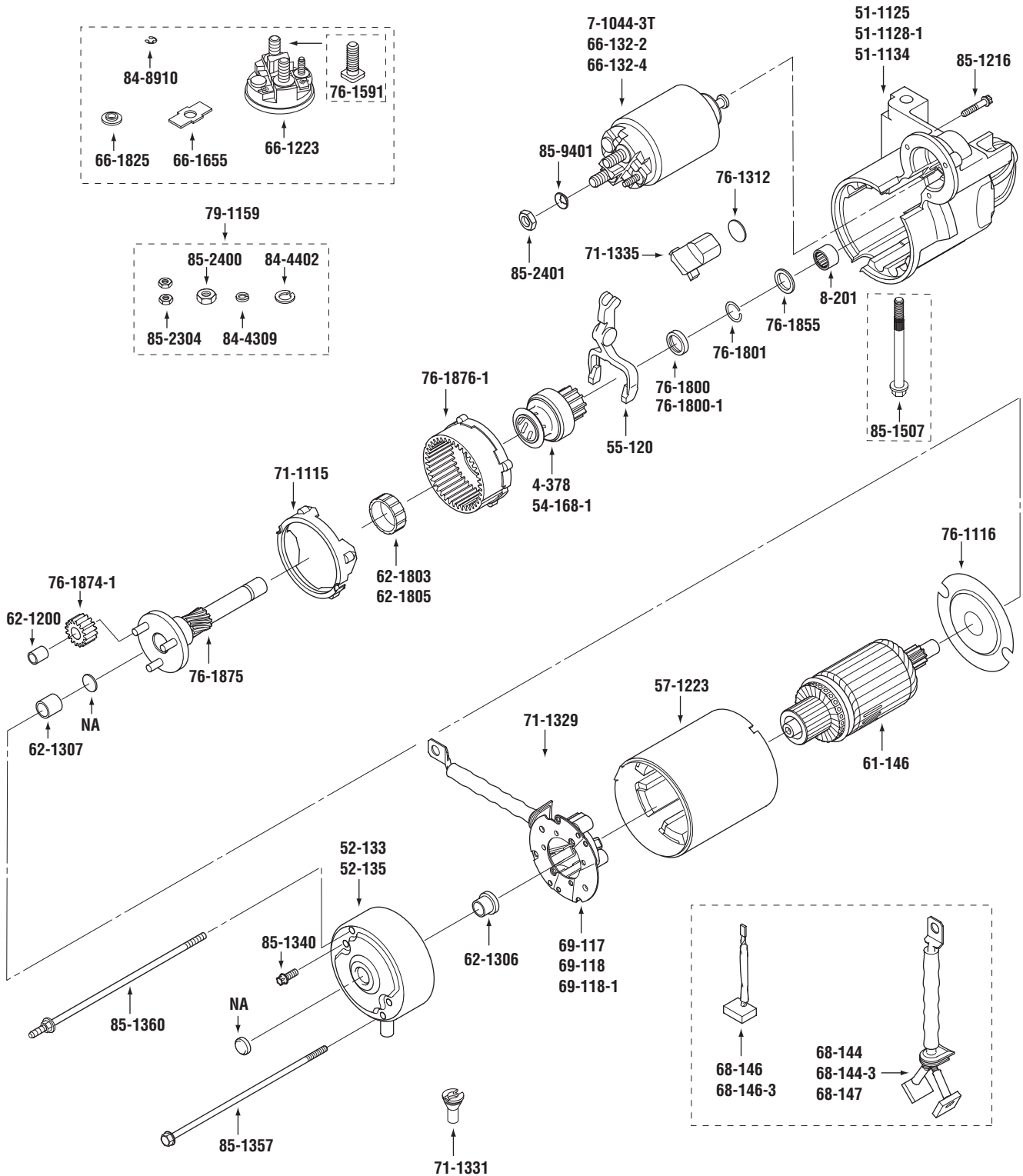
DELCO PG260F1 SERIES



<b>WAI No.</b>	<b>Description</b>
4-377	STARTER DRIVE (9-T, CW, 6-SPL, 45mm L, Accurate)
6-608-2	BALL BEARING - C.E. (Dbl. Shielded)
6-608-4	BALL BEARING - C.E. (Dbl. Sealed)
6-608-4W	BALL BEARING - C.E. (Dbl. Sealed, WBD)
7-1044	SOLENOID (4-Term., Accurate)
7-1044-3T	SOLENOID (3-Term., Accurate)
8-201	NEEDLE BEARING - D.E. (12mm ID x 16mm OD x 10mm W)
51-1124	D.E. HOUSING (10mm Pad Mtg., Straight)
51-1124-2	D.E. HOUSING (10mm Pad Mtg., Straight, wo/ Ndl. Brg.)
51-1127	D.E. HOUSING (10mm Pad Mtg., Staggered)
52-132	C.E. FRAME
54-157-1	STARTER DRIVE (9-T, CW, 6-SPL, 45mm L)
55-119	SHIFT LEVER
57-1222	FIELD CASE ASSY. (w/ Drain Notch)
57-1224	FIELD CASE ASSY. (wo/ Drain Notch)
61-145	ARMATURE (128mm OAL, 16-SPL, OE)
61-145-1	ARMATURE (128mm OAL, 16-SPL)
62-1201	BUSHING - Planetary Gear (6.10mm ID x 10.05mm OD x 10.4mm L)
62-1304	BUSHING - Planetary Shaft (8.10mm ID x 12.05mm OD x 7.0mm L)
62-1804	BUSHING - Stationary Gear (22.33mm ID x 28.64mm OD x 9.0mm L)
66-132-2	SOLENOID (3-Terms.)
66-132-4	SOLENOID (3-Terms., Latest OE Vented Design)
66-133-2	SOLENOID (4-Term.)
66-1222	SOLENOID CAP ASSY. (4-Terminal)
66-1223	SOLENOID CAP ASSY. (3-Terminal)
66-1655	MOVABLE CONTACT
66-1825	INSULATOR - Movable Contact Assy.
68-140	BRUSH
69-113	BRUSH HOLDER ASSY. (40mm LL, w/ Brushes)
69-113-1	BRUSH HOLDER ASSY. (40mm LL, w/ Brushes)
69-1710	BRUSH SPRING
71-1305	SEAL - Stationary Gear
71-1334	PLUG - Shift Lever Support
76-1115	COVER - Planetary Gears
76-1312	PIVOT PAD - Shift Lever
76-1591	STATIONARY CONTACT - Battery, Motor
76-1800	STOP COLLAR (12mm ID x 17.3mm OD)
76-1800-1	STOP COLLAR (12mm ID, Mfd. By OE Supplier)
76-1801	RETAINING RING - Stop Collar (7/16 ID)
76-1803	PLANETARY GEAR (17 Teeth, 18.5mm Gear OD, w/ 62-1201 Bushing)
76-1806	STATIONARY GEAR (50-Teeth, 48mm Gear ID)
76-1855	THRUST COLLAR - D.E. (12mm ID x 19mm OD)
79-1159	HARDWARE KIT - Solenoid
84-4309	LOCK WASHER - Soln. Switch Term. (#10 ID, Split)
84-4402	LOCK WASHER - Soln. Batt. Terms. (5/16 ID, Split)
84-8910	E-CLIP - Movable Contact Assy. (#2 ID x 11/32 OD x .025 T)
85-1204	SCREW - Brush Holder Assy. (M4 x 0.7 x 10mm L, Hex)
85-1216	SCREW - Solenoid (M4 x 0.7 x 22.5mm L, E5 Torx, Thd. Form.)
85-1355	THRU BOLT (M6 x 1.0 x 115mm L)
85-1358	THRU BOLT (M6 x 1.0 x 115mm L w/ 10-24 x 7/16 L Ext.)
85-2304	HEX NUT - Soln. Switch Term. (M5 x 0.8 x 8mm F x 3.8mm T)
85-2400	HEX NUT - Soln. Batt. Terms. (M8 x 1.25 x 13mm F x 6.3mm T)
85-2401	HEX NUT - Soln. Batt., Motor Terms. (M8 x 1.25 x 13mm F x 5mm T)
85-9401	LOCK WASHER - Batt., Motor Terms. (8mm ID, Conical)

# DELCO PG260F2 SERIES

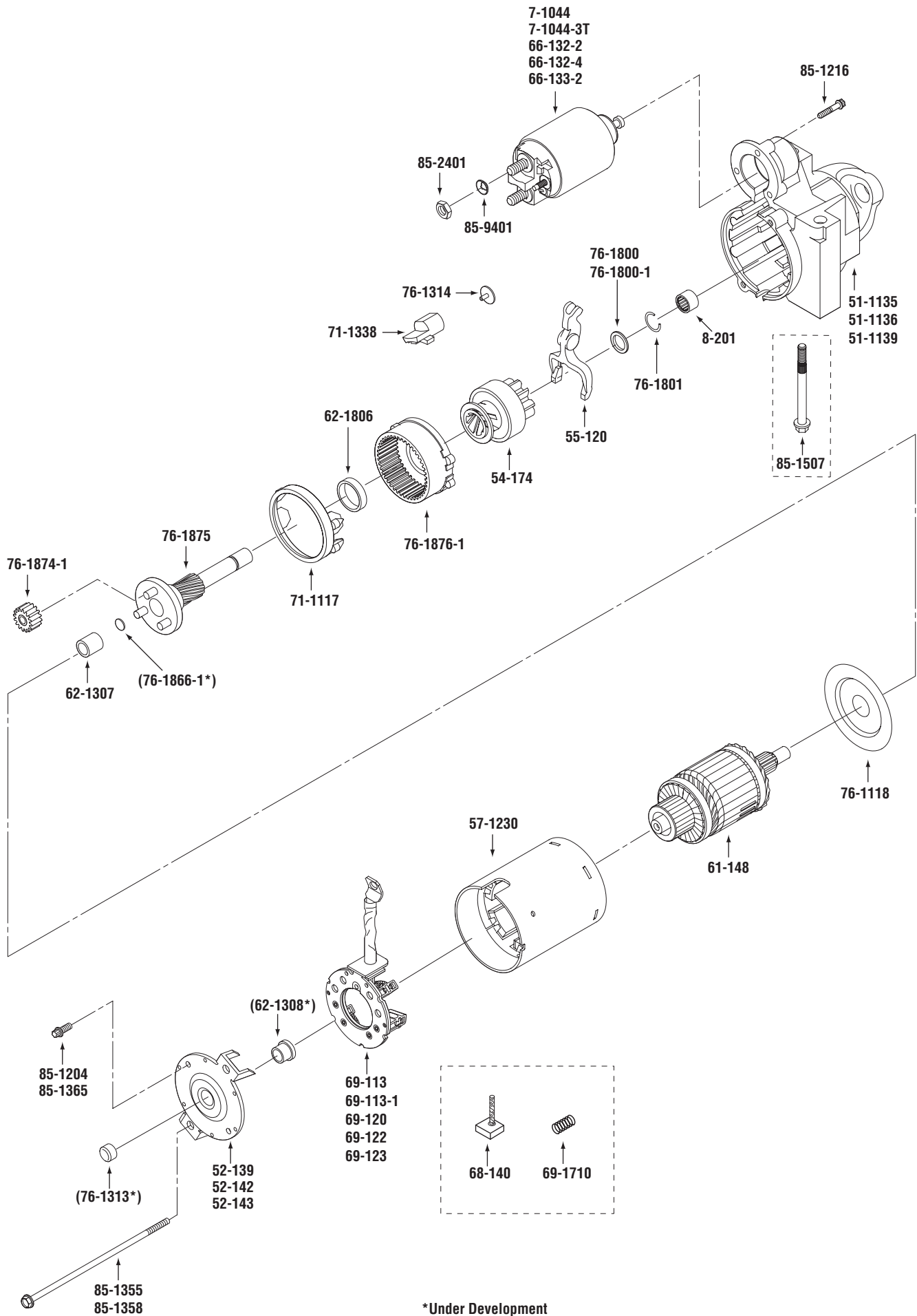
DELCO PG260F2 SERIES



WAI No.	Description	WAI No.	Description
<b>4-378</b>	STARTER DRIVE (11-T, CW, 6-SPL, Accurate)	<b>69-118-1</b>	BRUSH HOLDER ASSY. (70mm LL, w/ Brushes)
<b>7-1044-3T</b>	SOLENOID (3-Term., Accurate)	<b>71-1115</b>	SEAL - Stationary Gear
<b>8-201</b>	NEEDLE BEARING - D.E. (12mm ID x 16mm OD x 10mm W)	<b>71-1329</b>	GROMMET - Motor Lead
<b>51-1125</b>	D.E. HOUSING (10mm Pad Mtg., Straight)	<b>71-1331</b>	DRAIN TUBE - C.E. Frame
<b>51-1128-1</b>	D.E. HOUSING (10mm Pad Mtg., Staggered)	<b>71-1335</b>	PLUG - Shift Lever Support
<b>51-1134</b>	D.E. HOUSING (10mm Pad Mtg., Straight)	<b>76-1116</b>	COVER - Planetary Gear
<b>52-133</b>	C.E. FRAME - 9000836, 857 Strs.	<b>76-1312</b>	PIVOT PAD - Shift Lever
<b>52-135</b>	C.E. FRAME - 9000841, 858 Strs.	<b>76-1591</b>	STATIONARY CONTACT - Battery, Motor
<b>54-168-1</b>	STARTER DRIVE (11-T, CW, 6-SPL)	<b>76-1800</b>	STOP COLLAR (12mm ID x 17.3mm OD)
<b>55-120</b>	SHIFT LEVER	<b>76-1800-1</b>	STOP COLLAR (12mm ID, Mfd. By OE Supplier)
<b>57-1223</b>	FIELD CASE ASSY. - 9000836, 857; 24506694 Strs.	<b>76-1801</b>	RETAINING RING - Stop Collar (7/16 ID)
<b>61-146</b>	ARMATURE (143mm OAL, 11-SPL)	<b>76-1855</b>	THRUST COLLAR - D.E. (12mm ID x 19mm OD)
<b>62-1200</b>	BUSHING - Planetary Gear (6.10mm ID x 8.75mm OD x 10.8mm L)	<b>76-1874-1</b>	PLANETARY GEAR (16-Teeth, 20.5mm Gear OD)
<b>62-1306</b>	BUSHING - C.E. (10.08mm ID x 12.75mm OD x 11.5mm L)	<b>76-1875</b>	PLANETARY SHAFT
<b>62-1307</b>	BUSHING - Planetary Shaft (9.83mm ID x 16.65mm OD x 8.02mm L)	<b>76-1876-1</b>	STATIONARY GEAR (43-Teeth)
<b>62-1803</b>	BUSHING - Stationary Gear, 1st Prod. (22.28mm ID x 26.73mm OD x 9.1mm L)	<b>79-1159</b>	HARDWARE KIT - Solenoid
<b>62-1805</b>	BUSHING - Stationary Gear, 2nd Prod. (22.31mm ID x 26.72mm OD x 8.1mm L)	<b>84-4309</b>	LOCK WASHER - Soln. Switch Term. (#10 ID, Split)
<b>66-132-2</b>	SOLENOID (3-Terms.)	<b>84-4402</b>	LOCK WASHER - Soln. Batt. Terms. (5/16 ID, Split)
<b>66-132-4</b>	SOLENOID (3-Terms., Latest OE Vented Design)	<b>84-8910</b>	E-CLIP - Movable Contact Assy. (#2 ID x 11/32 OD x .025 T)
<b>66-1223</b>	SOLENOID CAP ASSY. (3-Terminal)	<b>85-1216</b>	SCREW - Solenoid (M4 x 0.7 x 22.5mm L, E5 Torx, Thd. Form.)
<b>66-1655</b>	MOVABLE CONTACT	<b>85-1340</b>	SCREW - Brush Holder Assy. (M5 x 0.8 x 11mm L, E6 Torx, Thd. Form.)
<b>66-1825</b>	INSULATOR - Movable Contact Assy.	<b>85-1357</b>	THRU BOLT (M5 x 0.8 x 151mm L)
<b>68-144</b>	BRUSH - Field (110mm LL)	<b>85-1360</b>	THRU BOLT (M5 x 0.8 x 151mm L w/ 10-24 x 7/16 L Ext.)
<b>68-144-3</b>	BRUSH - Field (110mm LL)	<b>85-1507</b>	BOLT - D.E. Mtg. (M10 x 1.5 x 113mm L)
<b>68-146</b>	BRUSH - Grd.	<b>85-2304</b>	HEX NUT - Soln. Switch Term. (M5 x 0.8 x 8mm F x 3.8mm T)
<b>68-146-3</b>	BRUSH - Grd.	<b>85-2400</b>	HEX NUT - Soln. Batt. Terms. (M8 x 1.25 x 13mm F x 6.3mm T)
<b>68-147</b>	BRUSH - Field (70mm LL)	<b>85-2401</b>	HEX NUT - Soln. Batt., Motor Terms. (M8 x 1.25 x 13mm F x 5mm T)
<b>69-117</b>	BRUSH HOLDER ASSY. (110mm LL, w/ Brushes)	<b>85-9401</b>	LOCK WASHER - Batt., Motor Terms. (8mm ID, Conical)
<b>69-118</b>	BRUSH HOLDER ASSY. (70mm LL, w/ Brushes)		

# DELCO PG260G SERIES

## DELCO PG260G SERIES



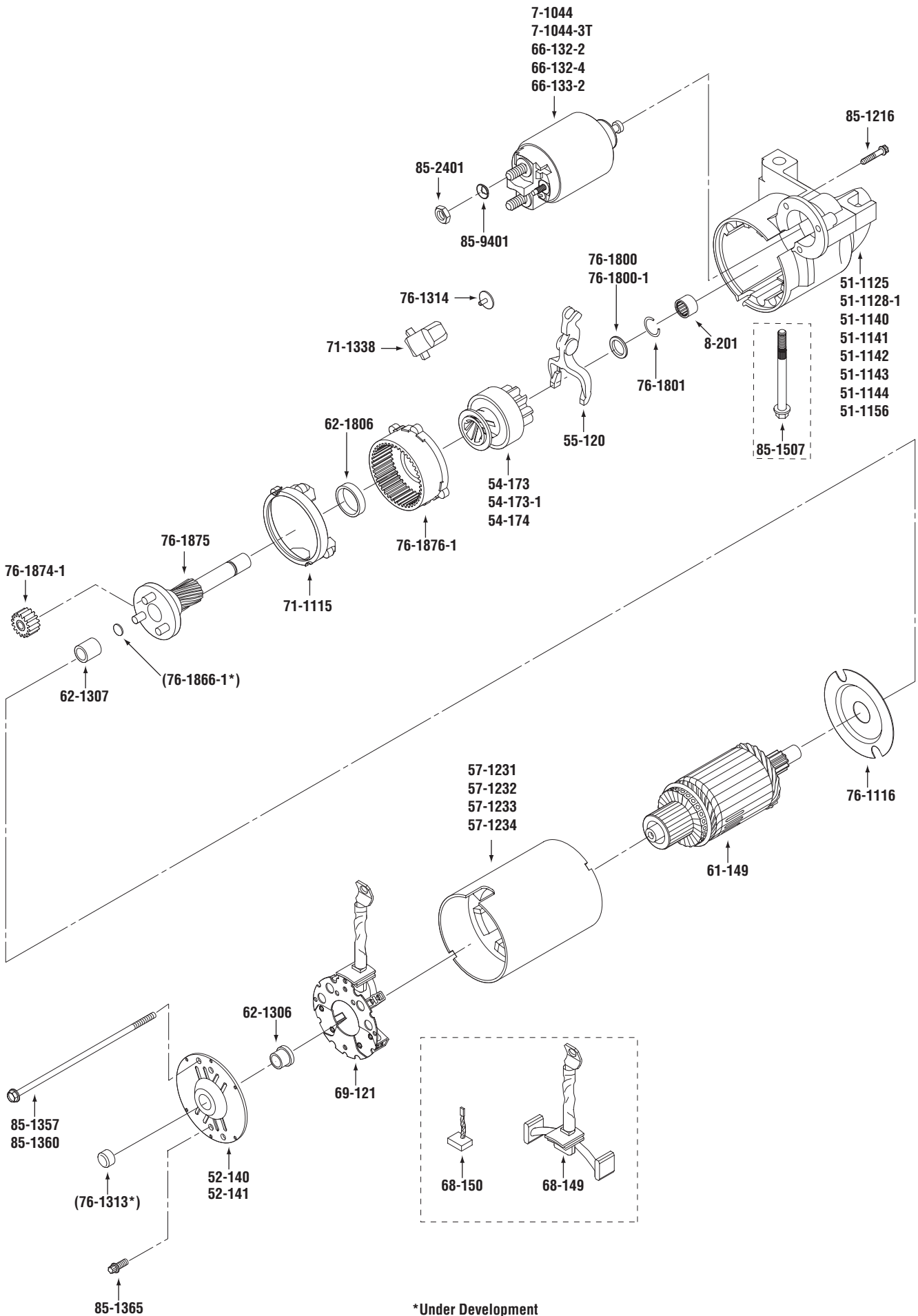
\*Under Development

<b>WAI No.</b>	<b>Description</b>
<b>7-1044</b>	SOLENOID (4-Term., Accurate)
<b>7-1044-3T</b>	SOLENOID (3-Term., Accurate)
<b>8-201</b>	NEEDLE BEARING - D.E. (12mm ID x 16mm OD x 10mm W)
<b>51-1135</b>	D.E. HOUSING (10mm Pad Mtg., Staggered)
<b>51-1136</b>	D.E. HOUSING (10mm Pad Mtg., Straight)
<b>51-1139</b>	D.E. HOUSING (10mm Pad Mtg., Staggered)
<b>52-139</b>	C.E. FRAME - Used w/ M4 BH Screws
<b>52-142</b>	C.E. FRAME - Used w/ M5 BH Screws
<b>52-143</b>	C.E. FRAME - Used w/ M4 BH Screws
<b>54-174</b>	STARTER DRIVE (11-T, CW, 6-SPL)
<b>55-120</b>	SHIFT LEVER
<b>57-1230</b>	FIELD CASE ASSY.
<b>61-148</b>	ARMATURE (123mm OAL, 11-SPL)
<b>62-1307</b>	BUSHING - Planetary Shaft (9.83mm ID x 16.65mm OD x 8.02mm L)
<b>62-1308*</b>	BUSHING - C.E. (10.08mm ID x 12.80mm OD x 11.4mm L)
<b>62-1806</b>	BUSHING - Stationary Gear (22.28mm ID x 26.73mm OD x 5.5mm L)
<b>66-132-2</b>	SOLENOID (3-Terms.)
<b>66-132-4</b>	SOLENOID (3-Terms., Latest OE Vented Design)
<b>66-133-2</b>	SOLENOID (4-Term.)
<b>68-140</b>	BRUSH
<b>69-113</b>	BRUSH HOLDER ASSY. (40mm LL, w/ Brushes)
<b>69-113-1</b>	BRUSH HOLDER ASSY. (40mm LL, w/ Brushes)
<b>69-120</b>	BRUSH HOLDER ASSY. (83mm LL, M4 x 0.7 Brush Screw Holes)
<b>69-122</b>	BRUSH HOLDER ASSY. (71mm LL, M5 x 0.8 Brush Screw Holes)
<b>69-123</b>	BRUSH HOLDER ASSY. (57mm LL, M5 x 0.8 Brush Screw Holes)
<b>69-1710</b>	BRUSH SPRING
<b>71-1117</b>	SEAL - Stationary Gear
<b>71-1338</b>	PLUG - Shift Lever Support
<b>76-1118</b>	COVER - Planetary Shaft Assy.
<b>76-1313*</b>	CAP - C.E.
<b>76-1314</b>	PIVOT PAD - Shift Lever
<b>76-1800</b>	STOP COLLAR (12mm ID x 17.3mm OD)
<b>76-1800-1</b>	STOP COLLAR (12mm ID, Mfd. By OE Supplier)
<b>76-1801</b>	RETAINING RING - Stop Collar (7/16 ID)
<b>76-1866-1*</b>	SPACER - Planetary Shaft
<b>76-1874-1</b>	PLANETARY GEAR (16-Teeth, 20.5mm Gear OD)
<b>76-1875</b>	PLANETARY SHAFT
<b>76-1876-1</b>	STATIONARY GEAR (43-Teeth)
<b>85-1204</b>	SCREW - Brush Holder Assy. (M4 x 0.7 x 10mm L, Hex)
<b>85-1216</b>	SCREW - Solenoid (M4 x 0.7 x 22.5mm L, E5 Torx, Thd. Form.)
<b>85-1355</b>	THRU BOLT (M6 x 1.0 x 115mm L)
<b>85-1358</b>	THRU BOLT (M6 x 1.0 x 115mm L w/ 10-24 x 7/16 L Ext.)
<b>85-1365</b>	SCREW - Brush Holder Assy. (M5 x 0.8 x 9mm L, E6 Torx)
<b>85-1507</b>	BOLT - D.E. Mtg. (M10 x 1.5 x 113mm L)
<b>85-2401</b>	HEX NUT - Soln. Batt., Motor Terms. (M8 x 1.25 x 13mm F x 5mm T)
<b>85-9401</b>	LOCK WASHER - Batt., Motor Terms. (8mm ID, Conical)

\*Under Development

# DELCO PG260L SERIES

DELCO PG260L SERIES



\*Under Development

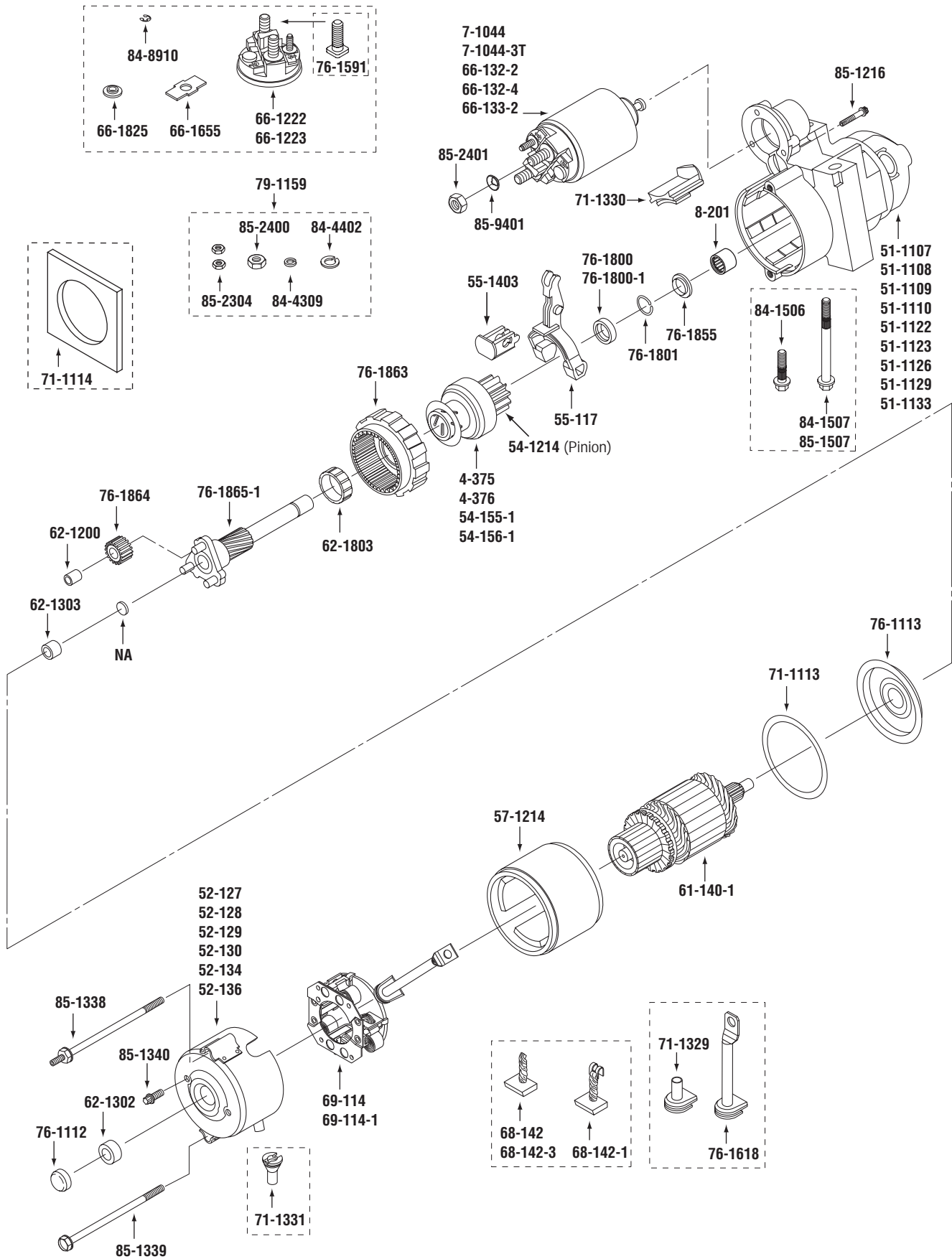
<b>WAI No.</b>	<b>Description</b>
7-1044	SOLENOID (4-Term., Accurate)
7-1044-3T	SOLENOID (3-Term., Accurate)
8-201	NEEDLE BEARING - D.E. (12mm ID x 16mm OD x 10mm W)
51-1125	D.E. HOUSING (10mm Pad Mtg., Straight)
51-1128-1	D.E. HOUSING (10mm Pad Mtg., Staggered)
51-1140	D.E. HOUSING (9mm 2-Ear Flg. Mtg.)
51-1141	D.E. HOUSING (M12 x 1.75, 13mm 2-Ear Flg. Mtg.)
51-1142	D.E. HOUSING (11mm 2-Ear Flg. Mtg.)
51-1143	D.E. HOUSING (10mm Pad Mtg., Staggered)
51-1144	D.E. HOUSING (10mm Pad Mtg., Straight)
51-1156	D.E. HOUSING (11mm 2-Ear Flg. Mtg.)
52-140	C.E. FRAME
52-141	C.E. FRAME
54-173	STARTER DRIVE (9-T, CW, 6-SPL, 25.5mm Gear OD)
54-173-1	STARTER DRIVE (9-T, CW, 6-SPL, 25.5mm Gear OD)
54-174	STARTER DRIVE (11-T, CW, 6-SPL)
55-120	SHIFT LEVER
57-1231	FIELD CASE ASSY. (w/ Drain Notch)
57-1232	FIELD CASE ASSY. (w/ Drain Notch)
57-1233	FIELD CASE ASSY. (w/ Drain Notch)
57-1234	FIELD CASE ASSY. - Marine Applications (wo/ Drain Notch)
61-149	ARMATURE (139mm OAL, 11-SPL)
62-1306	BUSHING - C.E. (10.08mm ID x 12.75mm OD x 11.5mm L)
62-1307	BUSHING - Planetary Shaft (9.83mm ID x 16.65mm OD x 8.02mm L)
62-1806	BUSHING - Stationary Gear (22.28mm ID x 26.73mm OD x 5.5mm L)
66-132-2	SOLENOID (3-Terms.)
66-132-4	SOLENOID (3-Terms., Latest OE Vented Design)
66-133-2	SOLENOID (4-Term.)
68-149	BRUSH - Field
68-150	BRUSH - Grd.
69-121	BRUSH HOLDER ASSY.
71-1115	SEAL - Stationary Gear
71-1338	PLUG - Shift Lever Support
76-1116	COVER - Planetary Gear
76-1313*	CAP - C.E.
76-1314	PIVOT PAD - Shift Lever
76-1800	STOP COLLAR (12mm ID x 17.3mm OD)
76-1800-1	STOP COLLAR (12mm ID, Mfd. By OE Supplier)
76-1801	RETAINING RING - Stop Collar (7/16 ID)
76-1866-1*	SPACER - Planetary Shaft
76-1874-1	PLANETARY GEAR (16-Teeth, 20.5mm Gear OD)
76-1875	PLANETARY SHAFT
76-1876-1	STATIONARY GEAR (43-Teeth)
85-1216	SCREW - Solenoid (M4 x 0.7 x 22.5mm L, E5 Torx, Thd. Form.)
85-1357	THRU BOLT (M5 x 0.8 x 151mm L)
85-1360	THRU BOLT (M5 x 0.8 x 151mm L w/ 10-24 x 7/16 L Ext.)
85-1365	SCREW - Brush Holder Assy. (M5 x 0.8 x 9mm L, E6 Torx)
85-1507	BOLT - D.E. Mtg. (M10 x 1.5 x 113mm L)
85-2401	HEX NUT - Soln. Batt., Motor Terms. (M8 x 1.25 x 13mm F x 5mm T)
85-9401	LOCK WASHER - Batt., Motor Terms. (8mm ID, Conical)

\*Under Development



# DELCO PG260M SERIES

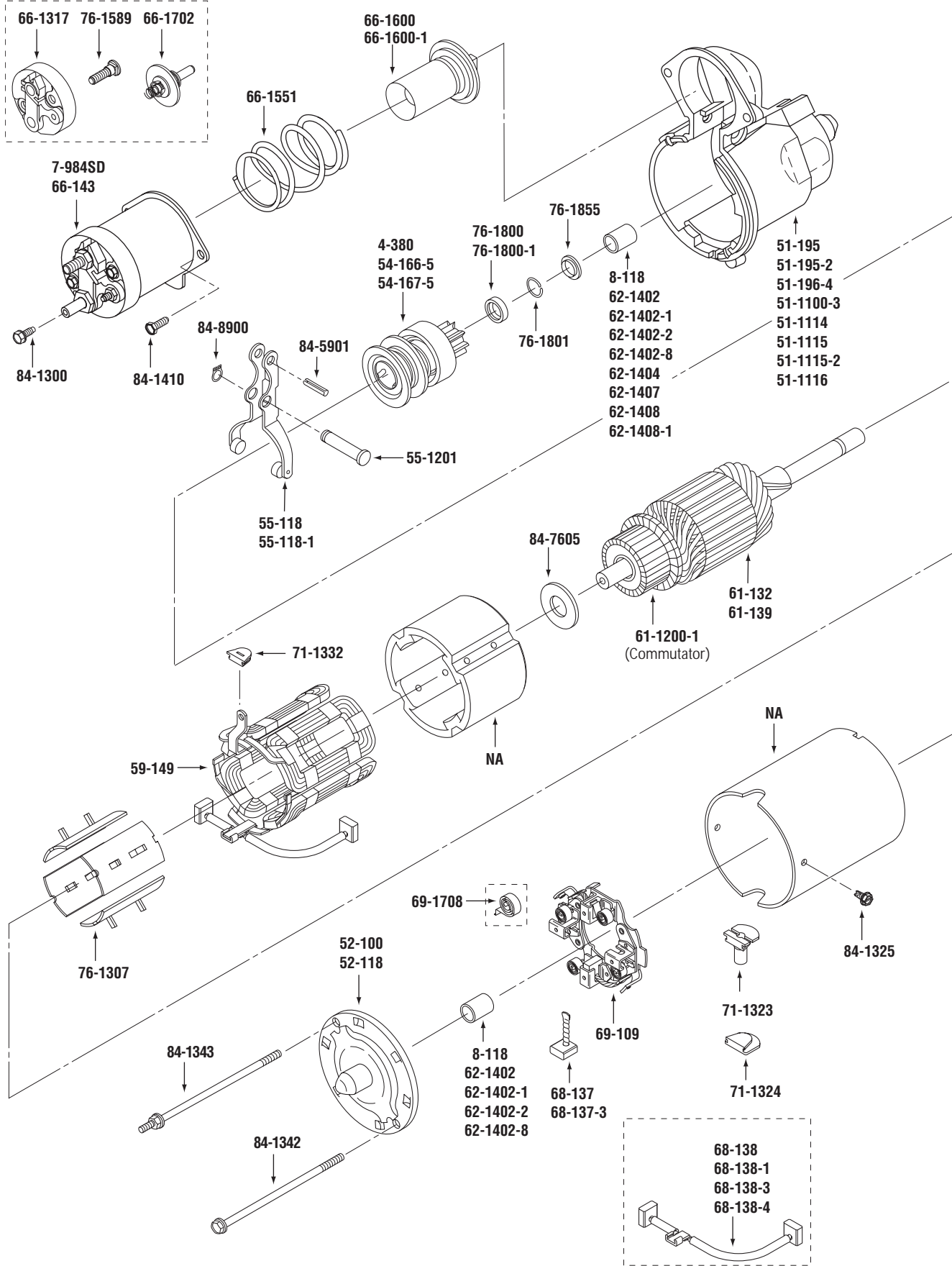
DELCO PG260M SERIES



WAI No.	Description	WAI No.	Description
4-375	STARTER DRIVE (11-T, CW, 6-SPL, Accurate)	66-1825	INSULATOR - Movable Contact Assy.
4-376	STARTER DRIVE (9-T, CW, 6-SPL, Accurate)	68-142	BRUSH (wo/ Clip)
7-1044	SOLENOID (4-Term., Accurate)	68-142-1	BRUSH (w/ Clip)
7-1044-3T	SOLENOID (3-Term., Accurate)	68-142-3	BRUSH (wo/ Clip)
8-201	NEEDLE BEARING - D.E. (12mm ID x 16mm OD x 10mm W)	69-114	BRUSH HOLDER ASSY. (w/ Brushes)
51-1107	D.E. HOUSING (10mm Pad Mtg., Staggered, Drive Opening Left)	69-114-1	BRUSH HOLDER ASSY. (w/ Brushes)
51-1108	D.E. HOUSING (10mm Pad Mtg., Straight, Drive Opening Right)	71-1113	GASKET - Planetary Gear Cover to Field Case
51-1109	D.E. HOUSING (10mm Pad Mtg., Straight, Drive Opening Left)	71-1114	GASKET - D.E., used when replacing 10MT Str. w/ PG260 Str.
51-1110	D.E. HOUSING (9mm 2-Ear Flg. Mtg.)	71-1329	GROMMET - Motor Lead
51-1122	D.E. HOUSING (M12 x 1.75, 13mm 2-Ear Flg. Mtg.)	71-1330	PLUG - Shift Lever Support
51-1123	D.E. HOUSING (10mm Pad Mtg., Staggered, Drive Opening Left)	71-1331	DRAIN TUBE - C.E. Frame
51-1126	D.E. HOUSING (10mm 3-Ear Flg. Mtg.)	76-1112	COVER - C.E. Frame
51-1129	D.E. HOUSING (10mm Pad Mtg., Straight, Drive Opening Right)	76-1113	COVER - Planetary Gear
51-1133	D.E. HOUSING (10mm Pad Mtg., Staggered, Drive Opening Left)	76-1591	STATIONARY CONTACT - Battery, Motor
52-127	C.E. FRAME - 9000786, 798, 834, 851, 853, 860, 866, 899 Strs.	76-1618	MOTOR LEAD
52-128	C.E. FRAME - 9000804, 806, 861, 863 Strs.	76-1800	STOP COLLAR (12mm ID x 17.3mm OD)
52-129	C.E. FRAME - 9000805, 862 Strs.	76-1800-1	STOP COLLAR (12mm ID, Mfd. By OE Supplier)
52-130	C.E. FRAME - 9000819, 820, 821, 822, 867 Strs.	76-1801	RETAINING RING - Stop Collar (7/16 ID)
52-134	C.E. FRAME - 9000812, 864 Strs.	76-1855	THRUST COLLAR - D.E. (12mm ID x 19mm OD)
52-136	C.E. FRAME - 9000827, 865, 900 Strs.	76-1863	STATIONARY GEAR (48-Teeth, 46mm Gear ID)
54-155-1	STARTER DRIVE (11-T, CW, 6-SPL)	76-1864	PLANETARY GEAR (18-Teeth, 19.5mm Gear OD)
54-156-1	STARTER DRIVE (9-T, CW, 6-SPL)	76-1865-1	PLANETARY SHAFT
54-1214	PINION GEAR (11-T, CW)	79-1159	HARDWARE KIT - Solenoid
55-117	SHIFT LEVER	84-1506	BOLT - Mounting, use when converting from 10MT or PG250 series (3/8-16 x 1-5/8 L, w/ 10mm Shank)
55-1403	SUPPORT - Shift Lever	84-1507	BOLT - Mounting, use when converting from 10MT or PG250 series (3/8-16 x 4-5/16 L, w/ 10mm Shank)
57-1214	FIELD CASE ASSY. (Alignment notches offset 45°)	84-4309	LOCK WASHER - Soln. Switch Term. (#10 ID, Split)
61-140-1	ARMATURE (121mm OAL, 12-SPL)	84-4402	LOCK WASHER - Soln. Batt. Terms. (5/16 ID, Split)
62-1200	BUSHING - Planetary Gear (6.10mm ID x 8.75mm OD x 10.8mm L)	84-8910	E-CLIP - Movable Contact Assy. (#2 ID x 11/32 OD x .025 T)
62-1302	BUSHING - C.E. (9.80mm ID x 16.64mm OD x 8.0mm L)	85-1216	SCREW - Solenoid (M4 x 0.7 x 22.5mm L, E5 Torx, Thd. Form.)
62-1303	BUSHING - Planetary Shaft (8.08mm ID x 11.93mm OD x 9.2mm L)	85-1338	THRU BOLT (M5 x 0.8 x 102mm L w/ 3/16-24 x 7/16 L Ext.)
62-1803	BUSHING - Stationary Gear (22.28mm ID x 26.73mm OD x 9.1mm L)	85-1339	THRU BOLT (M5 x 0.8 x 102mm L)
66-132-2	SOLENOID (3-Terms.)	85-1340	SCREW - Brush Holder Assy. (M5 x 0.8 x 11mm L, E6 Torx, Thd. Form.)
66-132-4	SOLENOID (3-Terms., Latest OE Vented Design)	85-1507	BOLT - D.E. Mtg. (M10 x 1.5 x 113mm L)
66-133-2	SOLENOID (4-Term.)	85-2304	HEX NUT - Soln. Switch Term. (M5 x 0.8 x 8mm F x 3.8mm T)
66-1222	SOLENOID CAP ASSY. (4-Terminal)	85-2400	HEX NUT - Soln. Batt. Terms. (M8 x 1.25 x 13mm F x 6.3mm T)
66-1223	SOLENOID CAP ASSY. (3-Terminal)	85-2401	HEX NUT - Soln. Batt., Motor Terms. (M8 x 1.25 x 13mm F x 5mm T)
66-1655	MOVABLE CONTACT	85-9401	LOCK WASHER - Batt., Motor Terms. (8mm ID, Conical)

# DELCO SD205, SD255 SERIES

DELCO SD205, SD255 SERIES



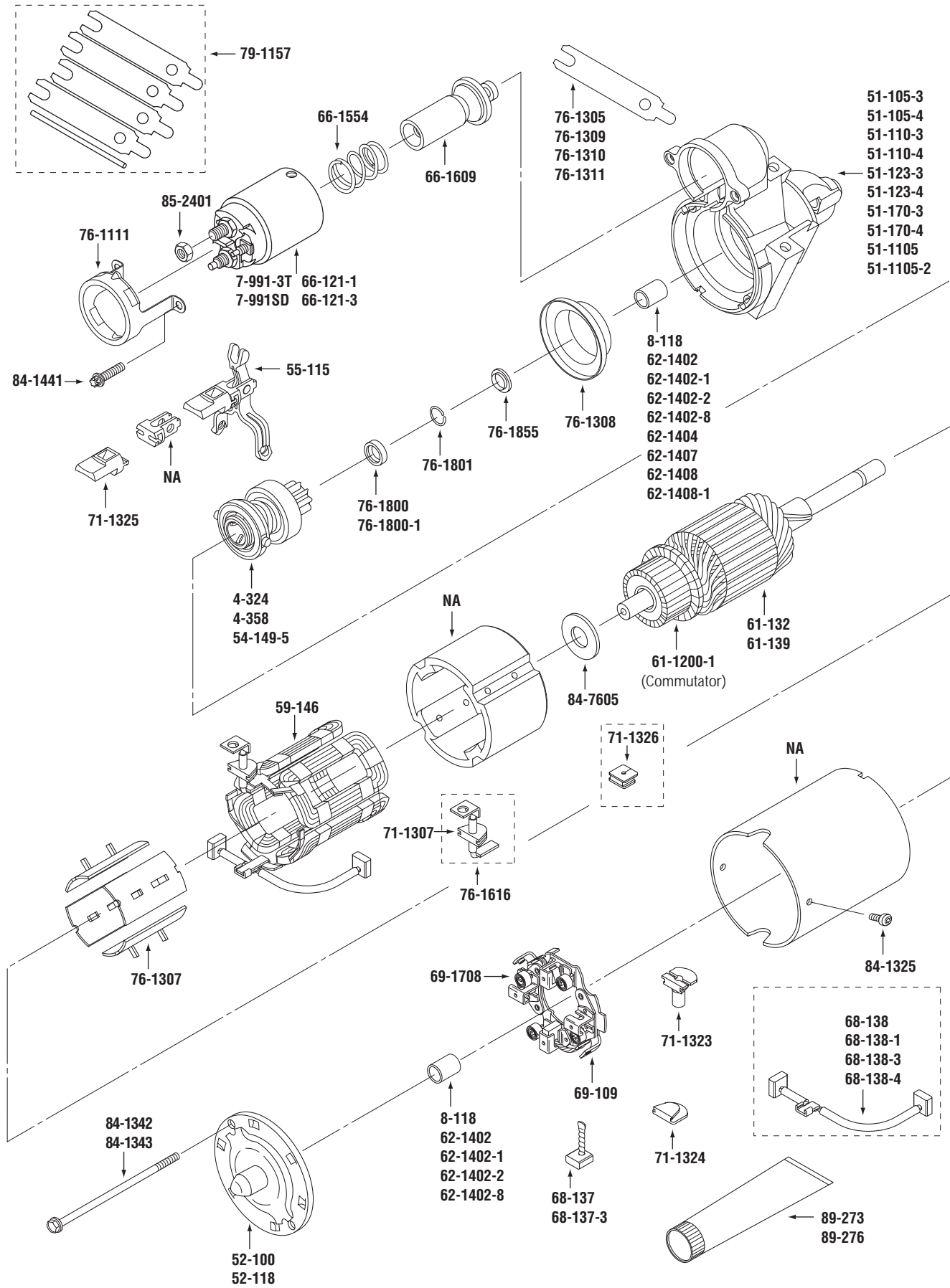
# DELCO SD205, SD255 SERIES

WAI No.	Description	WAI No.	Description
<b>4-380</b>	STARTER DRIVE (9-T, CW, 3-SPL, Accurate)	<b>62-1408</b>	CONVERSION BUSHING - D.E., Replaces Ndl. Brg. (.4396 ID x .6265 OD x .500 L)
<b>7-984SD</b>	SOLENOID (M8 x 1.25 Batt. Term., M5 x 0.8 S-Term., Accurate)	<b>62-1408-1</b>	CONVERSION BUSHING - D.E., Replaces Ndl. Brg. (1X-Undersize, .4371 ID x .6265 OD x .500 L)
<b>8-118</b>	NEEDLE BEARING - D.E., C.E. (11mm ID x 16mm OD x 12.7mm W)	<b>66-143</b>	SOLENOID (M8 x 1.25 Batt. Term., M5 x 0.8 S-Term.)
<b>51-195</b>	D.E. HOUSING (M12 x 1.75, 13mm 2-Ear Flg. Mtg. w/ 8-118 Ndl. Brg.)	<b>66-1317</b>	SOLENOID CAP (3-Terms.)
<b>51-195-2</b>	D.E. HOUSING (M12 x 1.75, 13mm 2-Ear Flg. Mtg. wo/ Ndl. Brg.)	<b>66-1551</b>	PLUNGER SPRING
<b>51-196-4</b>	D.E. HOUSING (10mm Pad Mtg. wo/ Ndl. Brg.)	<b>66-1600</b>	PLUNGER - Solenoid (Short Type)
<b>51-1100-3</b>	D.E. HOUSING (10mm Pad Mtg., No Shim, w/ 8-118 Ndl. Brg.)	<b>66-1600-1</b>	PLUNGER - Solenoid (Short Type)
<b>51-1114</b>	D.E. HOUSING (10mm Pad Mtg. w/ 62-1402 Bushing)	<b>66-1702</b>	MOVABLE CONTACT ASSY. - Soln.
<b>51-1115</b>	D.E. HOUSING (10mm Pad Mtg. w/ 8-118 Ndl. Brg.)	<b>68-137</b>	BRUSH - Grd.
<b>51-1115-2</b>	D.E. HOUSING (10mm Pad Mtg. wo/ Ndl. Brg.)	<b>68-137-3</b>	BRUSH - Grd.
<b>51-1116</b>	D.E. HOUSING (10mm Pad Mtg. w/ 8-118 Ndl. Brg.)	<b>68-138</b>	BRUSH - Field (w/ Clip)
<b>52-100</b>	C.E. FRAME (w/ 12.01mm ID Bushing)	<b>68-138-1</b>	BRUSH - Field (wo/ Clip)
<b>52-118</b>	C.E. FRAME (w/ 8-118 Ndl. Brg.)	<b>68-138-3</b>	BRUSH - Field (w/ Clip)
<b>54-166-5</b>	STARTER DRIVE (9-T, CW, 3-SPL)	<b>68-138-4</b>	BRUSH - Field (wo/ Clip)
<b>54-167-5</b>	STARTER DRIVE (9-T, CW, 3-SPL, Cushion Pinion)	<b>69-109</b>	BRUSH HOLDER ASSY.
<b>55-118</b>	SHIFT LEVER	<b>69-1708</b>	BRUSH SPRING
<b>55-118-1</b>	SHIFT LEVER	<b>71-1323</b>	DRAIN TUBE - Field Case
<b>55-1201</b>	SHAFT - Shift Lever, used w/ 84-8900 Snap Ring	<b>71-1324</b>	PLUG - Field Case
<b>59-149</b>	FIELD COIL (8-Turn Coils)	<b>71-1332</b>	GROMMET - Motor Lead
<b>61-132</b>	ARMATURE - Used w/ Ndl. Brgs (Ref# 2214)	<b>76-1307</b>	RETAINER - Field Coil (2.58 L)
<b>61-139</b>	ARMATURE - Used w/ Bushings	<b>76-1589</b>	STATIONARY CONTACT - Soln. Batt. Term. (M8 x 1.25 x 31mm L w/ 10mm Dia. Shoulder)
<b>61-1200-1</b>	COMMUTATOR - Armature (27 Bars, 18.85mm ID x 56.39mm OD x 2.67mm Slot Width)	<b>76-1800</b>	STOP COLLAR (12mm ID x 17.3mm OD)
<b>62-1402</b>	BUSHING - D.E., C.E. (.4730 ID x .5195 OD x .500 L)	<b>76-1800-1</b>	STOP COLLAR (12mm ID, Mfd. By OE Supplier)
<b>62-1402-1</b>	BUSHING - D.E., C.E. (1X-Undersize, .4705 ID x .5195 OD x .500 L)	<b>76-1801</b>	RETAINING RING - Stop Collar (7/16 ID)
<b>62-1402-2</b>	BUSHING - D.E., C.E. (2X-Undersize, .4680 ID x .5195 OD x .500 L)	<b>76-1855</b>	THRUST COLLAR - D.E. (12mm ID x 19mm OD)
<b>62-1402-8</b>	BUSHING - D.E., C.E. (Split Type, .4730 ID x .5195 OD x .500 L)	<b>84-1300</b>	SCREW - Field Coil Term. to Soln. (10-32 x 1/2 L, Hex)
<b>62-1404</b>	CONVERSION BUSHING - D.E. (.4726 ID x .6265 OD x .500 L)	<b>84-1325</b>	SCREW - Brush Holder (10-32 x 3/8 L, Slotted Hex, Thd. Cut.)
<b>62-1407</b>	CONVERSION BUSHING - D.E. (.4395 ID x .5196 OD x .500 L)	<b>84-1342</b>	THRU BOLT (10-24 x 5-1/4 L)
		<b>84-1343</b>	THRU BOLT (10-24 x 5-1/4 L w/ 10-24 x 1/2 L Ext.)
		<b>84-1410</b>	SCREW - Soln. Mtg. (1/4-20 x 5/8 L, Hex)
		<b>84-5901</b>	SPLIT ROLL PIN - Plunger to Shift Lever (3/16 OD x 1 L)
		<b>84-7605</b>	BRAKE WASHER - C.E. (1/2 ID x 1-5/16 OD, Leather)
		<b>84-8900</b>	SNAP RING - Shift Lever Shaft (.281 ID x .025 T, Ext.)

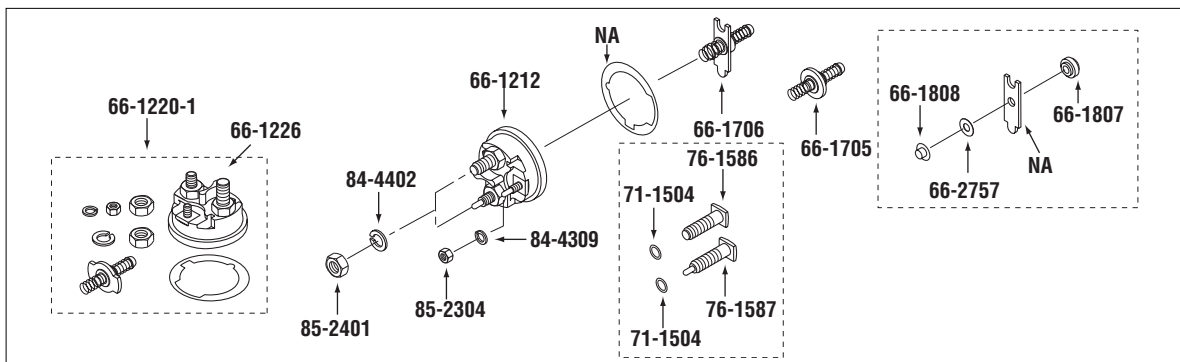
**DELCO SD205, SD255 SERIES**

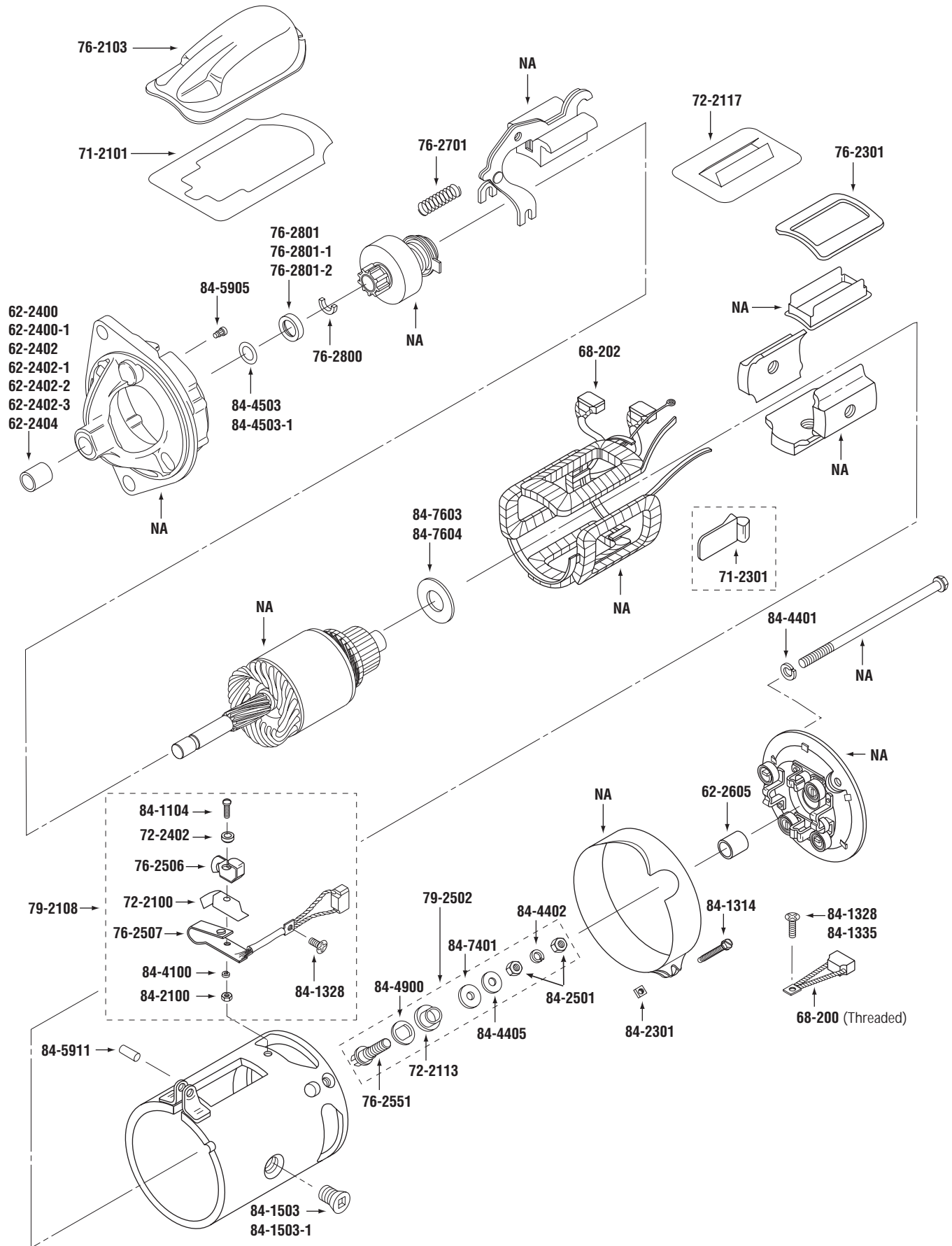
# DELCO SD210, SD260 SERIES

DELCO SD210, SD260 SERIES



WAI No.	Description	WAI No.	Description
4-324	STARTER DRIVE (9-T, CW, 3-SPL, 69mm L, Accurate)	66-1705	MOVABLE CONTACT ASSY. - Solenoid (Round)
4-358	STARTER DRIVE (9-T, CW, 3-SPL, 69mm L, , Heavy Duty, Accurate)	66-1706	MOVABLE CONTACT ASSY. - Solenoid (Rectangular)
7-991-3T	SOLENOID - w/ Mtg. Holes & Screws for PG200/250 Strs. (M8 x 1.25 Batt. Term., Accurate)	66-1807	INSULATOR - Solenoid Movable Contact Assy.
7-991SD	SOLENOID - wo/ Mtg. Holes & Screws (M8 x 1.25 Batt. Term., Accurate)	66-1808	RETAINER - Solenoid Movable Contact Assy.
8-118	NEEDLE BEARING - D.E., C.E. (11mm ID x 16mm OD x 12.7mm W)	66-2757	INSULATOR - Solenoid Movable Contact
51-105-3	D.E. HOUSING (10mm Pad Mtg., No Shim, w/ Bushing)	68-137	BRUSH - Grd.
51-105-4	D.E. HOUSING (10mm Pad Mtg., No Shim, wo/ Bushing)	68-137-3	BRUSH - Grd.
51-110-3	D.E. HOUSING (10mm Pad Mtg., No Shim, w/ 8-118 Ndl. Brg.)	68-138	BRUSH - Field (w/ Clip)
51-110-4	D.E. HOUSING (10mm Pad Mtg., No Shim, wo/ Ndl. Brg.)	68-138-1	BRUSH - Field (wo/ Clip)
51-123-3	D.E. HOUSING (10mm Pad Mtg., No Shim, w/ Bushing.)	68-138-3	BRUSH - Field (w/ Clip)
51-123-4	D.E. HOUSING (10mm Pad Mtg., No Shim, wo/ Bushing.)	68-138-4	BRUSH - Field (wo/ Clip)
51-170-3	D.E. HOUSING (10mm Pad Mtg. w/ 8-118 Ndl. Brg.)	69-109	BRUSH HOLDER ASSY.
51-170-4	D.E. HOUSING (10mm Pad Mtg. wo/ Ndl. Brg.)	69-1708	BRUSH SPRING
51-1105	D.E. HOUSING (10mm Pad Mtg., No Shim, w/ 8-118 Ndl. Brg.)	71-1307	GROMMET - Motor Lead
51-1105-2	D.E. HOUSING (10mm Pad Mtg., No Shim, wo/ Ndl. Brg.)	71-1323	DRAIN TUBE - Field Case
52-100	C.E. FRAME (w/ 12.01mm ID Bushing)	71-1324	PLUG - Field Case
52-118	C.E. FRAME (w/ 8-118 Ndl. Brg.)	71-1325	PLUG - Shift Lever Support
54-149-5	STARTER DRIVE (9-T, CW, 3-SPL)	71-1326	GROMMET - 5MT Field Case Assy. Conversion
55-115	SHIFT LEVER	71-1504	O-RING - Soln. Batt., Motor Terms. (6mm ID x 10mm OD x 1.8mm W)
59-146	FIELD COIL	76-1111	CLAMP - Solenoid
61-132	ARMATURE - Used w/ Ndl. Brgs (Ref# 2214)	76-1305	MOUNTING SHIM (.40mm T, Straight)
61-139	ARMATURE - Used w/ Bushings	76-1307	RETAINER - Field Coil (2.58 L)
61-1200-1	COMMUTATOR - Armature (27 Bars, 18.85mm ID x 56.39mm OD x 2.67mm Slot Width)	76-1308	SHIELD - D.E. Hsg.
62-1402	BUSHING - D.E., C.E. (.4730 ID x .5195 OD x .500 L)	76-1309	MOUNTING SHIM (1.0mm T, Offset)
62-1402-1	BUSHING - D.E., C.E. (1X-Undersize, .4705 ID x .5195 OD x .500 L)	76-1310	MOUNTING SHIM (2.0mm T, Straight)
62-1402-2	BUSHING - D.E., C.E. (2X-Undersize, .4680 ID x .5195 OD x .500 L)	76-1311	MOUNTING SHIM (2.0mm T, Offset)
62-1402-8	BUSHING - D.E., C.E. (Split Type, .4730 ID x .5195 OD x .500 L)	76-1586	STATIONARY CONTACT - Soln. Battery Term. (M8 x 1.25 x 33mm L)
62-1404	CONVERSION BUSHING - D.E. (.4726 ID x .6265 OD x .500 L)	76-1587	STATIONARY CONTACT - Soln. Motor Term. (M8 x 1.25 x 31.5mm L)
62-1407	CONVERSION BUSHING - D.E. (.4395 ID x .5196 OD x .500 L)	76-1616	LEAD - Field Coil to Soln.
62-1408	CONVERSION BUSHING - D.E., Replaces Ndl. Brg. (.4396 ID x .6265 OD x .500 L)	76-1800	STOP COLLAR (12mm ID x 17.3mm OD)
62-1408-1	CONVERSION BUSHING - D.E., Replaces Ndl. Brg. (1X-Undersize, .4371 ID x .6265 OD x .500 L)	76-1800-1	STOP COLLAR (12mm ID, Mfd. By OE Supplier)
66-121-1	SOLENOID - wo/ Mtg. Holes & Screws (M8 x 1.25 Batt. Term.)	76-1801	RETAINING RING - Stop Collar (7/16 ID)
66-121-3	SOLENOID - w/ Mtg. Holes & Screws for PG200/250 Strs. (M8 x 1.25 Batt. Term.)	76-1855	THRUST COLLAR - D.E. (12mm ID x 19mm OD)
66-1212	SOLENOID CAP ASSY. (M8 x 1.25 Batt. Term.)	79-1157	MOUNTING SHIM KIT (76-1305 Shims, Gauge Pin & Instructions)
66-1220-1	SOLENOID REPAIR KIT (Aftermarket Design w/ Solid Motor Term.)	84-1325	SCREW - Brush Holder (10-32 x 3/8 L, Slotted Hex, Thd. Cut.)
66-1226	SOLENOID CAP ASSY. (Aftermarket Design w/ Solid Motor Term.)	84-1342	THRU BOLT (10-24 x 5-1/4 L)
66-1554	PLUNGER SPRING - Plunger	84-1343	THRU BOLT (10-24 x 5-1/4 L w/ 10-24 x 1/2 L Ext.)
66-1609	PLUNGER - Solenoid	84-1441	SCREW - Soln. Mtg. (1/4-20 x 1 L, E8 Torx, Thd. Form.)
		84-4309	LOCK WASHER - Soln. Switch Term. (#10 ID, Split)
		84-4402	LOCK WASHER - Soln. Batt., Motor Terms. (5/16 ID, Split)
		84-7605	BRAKE WASHER - C.E. (1/2 ID x 1-5/16 OD, Leather)
		85-2304	HEX NUT - Soln. Switch Term. (M5 x 0.8 x 8mm F x 3.8mm T)
		85-2401	HEX NUT - Soln. Batt., Motor Terms. (M8 x 1.25 x 13mm F x 5mm T)
		89-273	GREASE - Solenoid Plunger Bore (1 oz. Tube)
		89-276	GREASE - Solenoid Plunger Bore (1 lb. Container)



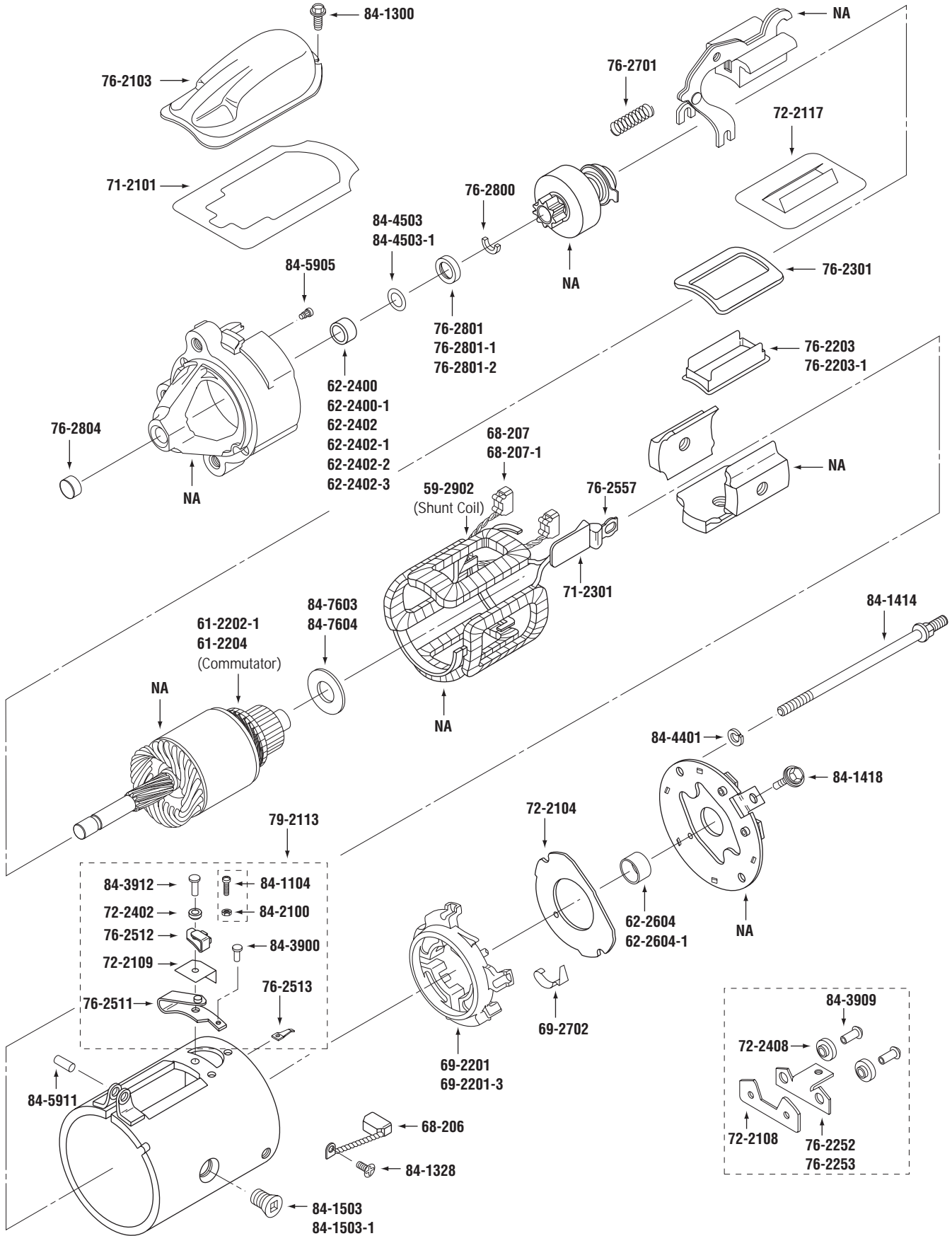


<b>WAI No.</b>	<b>Description</b>
<b>62-2400</b>	BUSHING - D.E. (.4725 ID x .5955 OD x .735 L)
<b>62-2400-1</b>	BUSHING - D.E. (1X-Undersize, .4700 ID x .5955 OD x .735 L)
<b>62-2402</b>	BUSHING - D.E. (.4740 ID x .5955 OD x .400 L)
<b>62-2402-1</b>	BUSHING - D.E. (1X-Undersize, .4705 ID x .5955 OD x .400 L)
<b>62-2402-2</b>	BUSHING - D.E. (2X-Undersize, .4690 ID x .5955 OD x .400 L)
<b>62-2402-3</b>	BUSHING - D.E. (3X-Undersize, .4640 ID x .5955 OD x .400 L)
<b>62-2404</b>	BUSHING - D.E. (.4730 ID x .5170 OD x .613 L)
<b>62-2605</b>	BUSHING - C.E. (.6280 ID x .6900 OD x .562 L)
<b>68-200</b>	BRUSH - Grd., Ref# F-35 (10-32 Threaded Term.)
<b>68-202</b>	BRUSH - Field, Ref# F-34U
<b>71-2101</b>	GASKET - Shift Lever Cover
<b>71-2301</b>	GROMMET - Field Coil
<b>72-2100</b>	INSULATOR - Contact Post
<b>72-2113</b>	INSULATOR - Terminal Post
<b>72-2117</b>	INSULATOR - Field Coil Repair
<b>72-2402</b>	INSULATOR - Contact Post (No. 5 ID)
<b>76-2103</b>	COVER - Shift Lever
<b>76-2301</b>	RETAINER - Field Coil
<b>76-2506</b>	CONTACT POST
<b>76-2507</b>	CONTACT SPRING W/ BRUSH
<b>76-2551</b>	TERMINAL POST (5/16-24 x 1-1/4)
<b>76-2701</b>	SPRING - Shift Lever Return
<b>76-2800</b>	STOP RING - Str. Drive
<b>76-2801</b>	STOP COLLAR
<b>76-2801-1</b>	STOP COLLAR (Stamped & Heat Treated)
<b>76-2801-2</b>	STOP COLLAR (Machined & Heat Treated)
<b>79-2108</b>	CONTACT KIT - Strs. w/ Side Term.
<b>79-2502</b>	TERMINAL KIT (5/16-24)
<b>84-1104</b>	SCREW - Contact Assy. (5-40 x 1/2 L, Slotted)
<b>84-1314</b>	SCREW - Cover Band (10-32 x 1-1/2 L, Slotted Hex)
<b>84-1328</b>	SCREW - Grd. Brush (10-32 x 7/16 L, Phillips)
<b>84-1335</b>	SCREW - Grd. Brush (10-32 x 5/8 L, Phillips, Thd. Cut.)
<b>84-1503</b>	SCREW - Pole Shoe (7/16-14 x 5/8 L, Square Drive)
<b>84-1503-1</b>	SCREW - Pole Shoe (7/16-14 x 5/8 L, Phillips)
<b>84-2100</b>	HEX NUT - Contact Assy. (5-40 x 1/4 F x 3/32 T)
<b>84-2301</b>	SQUARE NUT - Cover Band (10-32 x 3/8 F x 1/8 T)
<b>84-2501</b>	HEX NUT - Field Coil Term. (5/16-24 x 1/2 F x 3/16 T)
<b>84-4100</b>	LOCK WASHER - Contact Assy. (#5 ID, Split)
<b>84-4401</b>	LOCK WASHER - Thru Bolt (1/4 ID, Split)
<b>84-4402</b>	LOCK WASHER - Field Coil Term. (5/16 ID, Split)
<b>84-4405</b>	FLAT WASHER - Field Coil Term. (5/16 ID)
<b>84-4503</b>	THRUST WASHER - D.E. (15/32 ID x 23/32 OD, Steel)
<b>84-4503-1</b>	THRUST WASHER - D.E. (15/32 ID x 11/16 OD, Steel)
<b>84-4900</b>	FLAT WASHER - Field Coil Term. (5/16 ID, Oval Hole)
<b>84-5905</b>	SOLID PIN - D.E. Hsg. to Field Case (1/8 Dia. x 3/16)
<b>84-5911</b>	SOLID PIN - Shift Lever (1/4 Dia. x 11/16 L)
<b>84-7401</b>	INSULATING WASHER - Field Coil Term. (5/16 ID)
<b>84-7603</b>	BRAKE WASHER - C.E. (5/8 ID x 1-3/8 OD, Wax-Coated Leather)
<b>84-7604</b>	THRUST WASHER - C.E. (5/8 ID x 1-1/8 OD, Fiber)



# FORD 4" MOD I

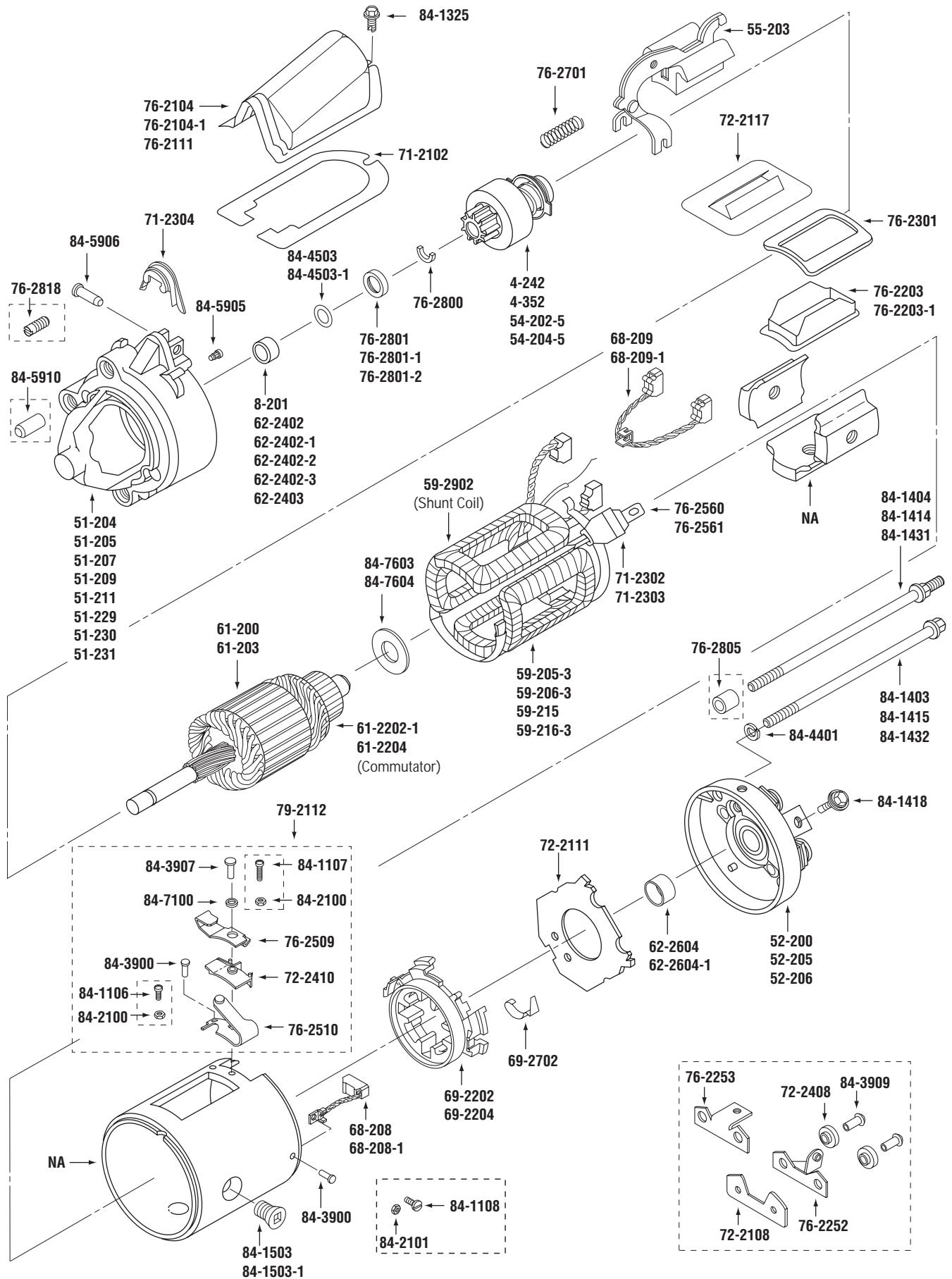
FORD 4" MOD I



WAI No.	Description	WAI No.	Description
59-2902	SHUNT COIL	76-2252	SUPPORT BRACKET - C.E. Frame (Angle)
61-2202-1	COMMUTATOR - Armature (25 Bars, 15.95mm ID x 57.15mm OD x 2.67mm Slot Width)	76-2253	SUPPORT BRACKET - C.E. Frame (Straight)
61-2204	COMMUTATOR - Armature (25 Bars, 15.88mm ID x 55.19mm OD x 2.67mm Slot Width)	76-2301	RETAINER - Field Coil
62-2400	BUSHING - D.E. (.4725 ID x .5955 OD x .735 L)	76-2511	CONTACT SPRING
62-2400-1	BUSHING - D.E. (1X-Undersize, .4700 ID x .5955 OD x .735 L)	76-2512	CONTACT POST
62-2402	BUSHING - D.E. (.4740 ID x .5955 OD x .400 L)	76-2513	TERMINAL - Contact Assy.
62-2402-1	BUSHING - D.E. (1X-Undersize, .4705 ID x .5955 OD x .400 L)	76-2557	FIELD COIL TERMINAL (Straight)
62-2402-2	BUSHING - D.E. (2X-Undersize, .4690 ID x .5955 OD x .400 L)	76-2701	SPRING - Shift Lever Return
62-2402-3	BUSHING - D.E. (.0075 3X-Undersize, .4640 ID x .5955 OD x .400 L)	76-2800	STOP RING - Str. Drive
62-2604	BUSHING - C.E. (.6284 ID x .7525 OD x .430 L)	76-2801	STOP COLLAR
62-2604-1	BUSHING - C.E. (1X-Undersize, .6259 ID x .7525 OD x .430 L)	76-2801-1	STOP COLLAR (Stamped & Heat Treated)
68-206	BRUSH - Grd., Ref# F-58	76-2801-2	STOP COLLAR (Machined & Heat Treated)
68-207	BRUSH - Field, Ref# F-59U (w/ Clip)	76-2804	CUP - D.E. Hsg.
68-207-1	BRUSH - Field, Ref# F-59U (wo/ Clip)	79-2113	CONTACT KIT
69-2201	BRUSH HOLDER	84-1104	SCREW - Contact Assy. (5-40 x 1/2 L, Slotted)
69-2201-3	BRUSH HOLDER	84-1300	SCREW - Shift Lever Cover (10-32 x 1/2 L, Hex)
69-2702	BRUSH SPRING	84-1328	SCREW - Grd. Brush (10-32 x 7/16 L, Phillips)
71-2101	GASKET - Shift Lever Cover	84-1414	THRU BOLT (1/4-20 x 5-7/8 L w/ 1/4-20 x 3/4 L Ext.)
71-2301	GROMMET - Field Coil	84-1418	SCREW - C.E. Bracket (1/4-20 x 7/8 L, Hex, w/ Att. Flat Washer)
72-2104	INSULATOR - Brush Holder	84-1503	SCREW - Pole Shoe (7/16-14 x 5/8 L, Square Drive)
72-2108	INSULATOR - C.E. Bracket	84-1503-1	SCREW - Pole Shoe (7/16-14 x 5/8 L, Phillips)
72-2109	INSULATOR - Contact Post	84-2100	HEX NUT - Contact Assy. (5-40 x 1/4 F x 3/32 T)
72-2117	INSULATOR - Field Coil Repair	84-3900	RIVET - Contact Assy. (1/8 Dia. x 13/32 L, Copper)
72-2402	INSULATOR - Contact Post (No. 5 ID)	84-3909	RIVET - C.E. Bracket (3/16 Dia. x 15/32 L, Semi-Tubular)
72-2408	INSULATOR - C.E. Bracket Rivet	84-3912	RIVET - Contact Assy. (1/8 Dia. x 17/32 L, Semi-Tubular)
76-2103	COVER - Shift Lever	84-4401	LOCK WASHER - Thru Bolt (1/4 ID, Split)
76-2203	RETAINING SLEEVE - Shunt Coil (Stainless Steel)	84-4503	THRUST WASHER - D.E. (15/32 ID x 23/32 OD, Steel)
76-2203-1	RETAINING SLEEVE - Shunt Coil (Aluminum)	84-4503-1	THRUST WASHER - D.E. (15/32 ID x 11/16 OD, Steel)
		84-5905	SOLID PIN - D.E. Hsg. to Field Case (1/8 Dia. x 3/16)
		84-5911	SOLID PIN - Shift Lever (1/4 Dia. x 11/16 L)
		84-7603	BRAKE WASHER - C.E. (5/8 ID x 1-3/8 OD, Wax-Coated Leather)
		84-7604	THRUST WASHER - C.E. (5/8 ID x 1-1/8 OD, Fiber)

# FORD 4" MOD II

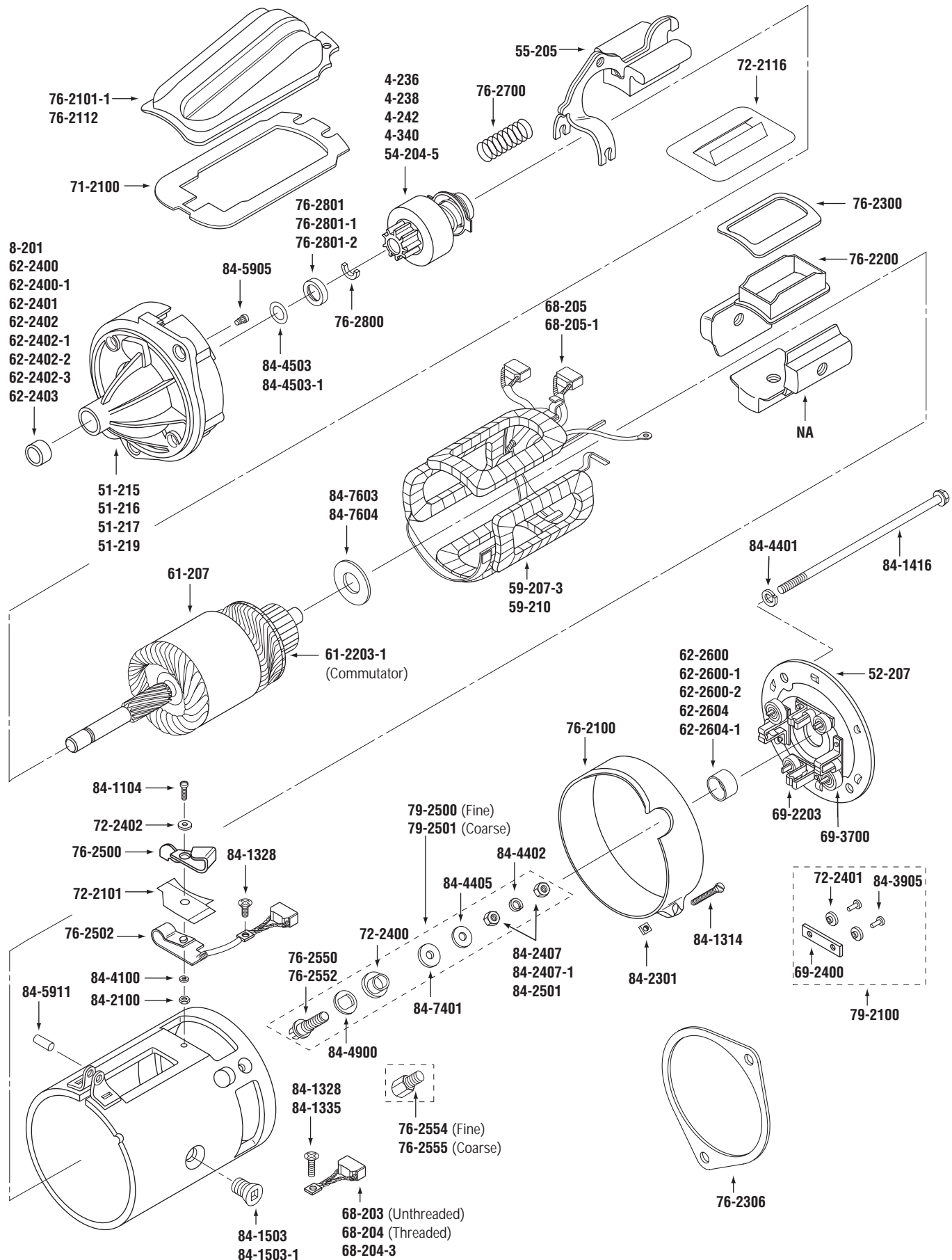
FORD 4" MOD II



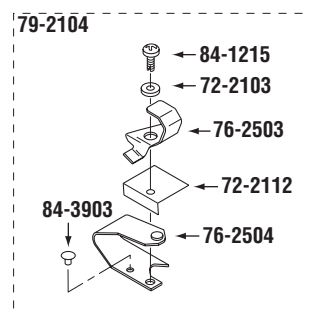
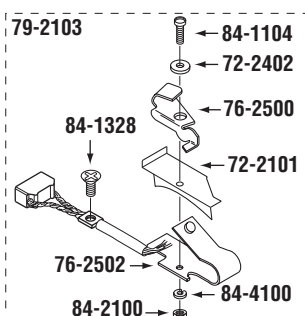
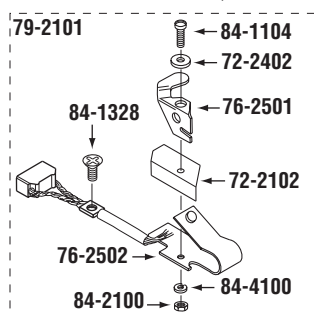
WAI No.	Description	WAI No.	Description
4-242	STARTER DRIVE (9-T, CW, 4-SPL, 72mm L, Accurate)	72-2117	INSULATOR - Field Coil Repair
4-352	STARTER DRIVE (9-T, CW, 4-SPL, 70mm L, Accurate)	72-2408	INSULATOR - C.E. Bracket Rivet
8-201	NEEDLE BEARING - D.E. (12mm ID x 16mm OD x 10mm W)	72-2410	INSULATOR - Contact Post
51-204	D.E. HOUSING (M10 x 1.50 3-Ear Flg. Mtg.)	76-2104	COVER - Shift Lever (Centered Mtg. Hole)
51-205	D.E. HOUSING (10mm 2-Ear Flg. Mtg. w/ Bushing)	76-2104-1	COVER (Centered Mtg. Hole, Rust Resistant, Galvanized Steel)
51-207	D.E. HOUSING - AMC (3/8 Pad Mtg.)	76-2111	COVER - Shift Lever (Offset Mtg. Hole)
51-209	D.E. HOUSING (11mm 3-Ear Flg. Mtg.)	76-2203	RETAINING SLEEVE - Shunt Coil (Stainless Steel)
51-211	D.E. HOUSING (10mm 2-Ear Flg. Mtg.)	76-2203-1	RETAINING SLEEVE - Shunt Coil (Aluminum)
51-229	D.E. HOUSING (10mm 2-Ear Flg. Mtg.)	76-2252	SUPPORT BRACKET - C.E. Frame (Angle)
51-230	D.E. HOUSING (M10 x 1.50, Locating Dowel 3-Ear Flg. Mtg.)	76-2253	SUPPORT BRACKET - C.E. Frame (Straight)
51-231	D.E. HOUSING (M10 x 1.50 3-Ear Flg. Mtg.)	76-2301	RETAINER - Field Coil
52-200	C.E. FRAME (Shallow w/ Straight Term. Bracket)	76-2509	CONTACT POST
52-205	C.E. FRAME (Deep w/ Straight Term. Bracket)	76-2510	CONTACT SPRING
52-206	C.E. FRAME (Shallow w/ Angle Term. Bracket)	76-2560	FIELD COIL TERMINAL (Angle)
54-202-5	STARTER DRIVE (9-T, CW, 4-SPL, 70mm L)	76-2561	FIELD COIL TERMINAL (Straight)
54-204-5	STARTER DRIVE (9-T, CW, 4-SPL, 72mm L)	76-2701	SPRING - Shift Lever Return
55-203	SHIFT LEVER	76-2800	STOP RING - Str. Drive
59-205-3	FIELD COIL - Strs. w/ Deep C.E. Cover (Straight Term.)	76-2801	STOP COLLAR
59-206-3	FIELD COIL - Strs. w/ Shallow C.E. Cover (Angle Term.)	76-2801-1	STOP COLLAR (Stamped & Heat Treated)
59-215	FIELD COIL - Strs. w/ Shallow C.E. Cover (High Torque, Angle Term.)	76-2801-2	STOP COLLAR (Machined & Heat Treated)
59-216-3	FIELD COIL - Strs. w/ Shallow C.E. Cover (High Torque, Straight Term.)	76-2805	SPACER - Thru Bolt
59-2902	SHUNT COIL	76-2818	LOCATING DOWEL PIN - Converts 51-204 to replace 51-230 D.E. Hsg. w/ Locating Dowel. (M10 x 1.5 Dowel)
61-200	ARMATURE - Strs. w/ Deep C.E. Cover (Ref# 2112)	79-2112	CONTACT KIT
61-203	ARMATURE - Strs. w/ Shallow C.E. Cover (Ref# 2118)	84-1106	SCREW - Contact Spring (5-40 x 3/8 L, Slotted)
61-2202-1	COMMUTATOR - Armature (25 Bars, 15.95mm ID x 57.15mm OD x 2.67mm Slot Width)	84-1107	SCREW - Contact Assy (5-40 x 9/16 L, Slotted)
61-2204	COMMUTATOR - Armature (25 Bars, 15.88mm ID x 55.19mm OD x 2.67mm Slot Width)	84-1108	SCREW - Grd. Brush (6-32 x 3/8 L, Slotted)
62-2402	BUSHING - D.E. (.4740 ID x .5955 OD x .400 L)	84-1325	SCREW - Shift Lever Cover (10-32 x 3/8 L, Slotted Hex, Thd. Cut.)
62-2402-1	BUSHING - D.E. (1X-Undersize, .4705 ID x .5955 OD x .400 L)	84-1403	THRU BOLT (1/4-20 x 6-3/8 L)
62-2402-2	BUSHING - D.E. (2X-Undersize, .4690 ID x .5955 OD x .400 L)	84-1404	THRU BOLT (1/4-20 x 6-3/16 L w/ 1/4-20 x 3/4 L Ext.)
62-2402-3	BUSHING - D.E. (.0075 3X-Undersize, .4640 ID x .5955 OD x .400 L)	84-1414	THRU BOLT (1/4-20 x 5-7/8 L w/ 1/4-20 x 3/4 L Ext.)
62-2403	BUSHING - D.E., Replaces Needle Brg. (.4725 ID x .6313 OD x .400 L)	84-1415	THRU BOLT (1/4-20 x 5-15/16 L)
62-2604	BUSHING - C.E. (.6284 ID x .7525 OD x .430 L)	84-1418	SCREW - C.E. Bracket (1/4-20 x 7/8 L, Hex, w/ Att. Flat Washer)
62-2604-1	BUSHING - C.E. (1X-Undersize, .6259 ID x .7525 OD x .430 L)	84-1431	THRU BOLT (1/4-20 x 6-3/16 L w/ 1/4-20 x 3/4 L Ext., w/ Insulating Tubing)
68-208	BRUSH - Grd., Ref# F-62 (Unthreaded)	84-1432	THRU BOLT (1/4-20 x 5-15/16 L, w/ Insulating Tubing)
68-208-1	BRUSH - Grd., Ref# F-62T (6-32 Threaded Term.)	84-1503	SCREW - Pole Shoe (7/16-14 x 5/8 L, Square Drive)
68-209	BRUSH - Field, Ref# F-61U (w/ Clip)	84-1503-1	SCREW - Pole Shoe (7/16-14 x 5/8 L, Phillips)
68-209-1	BRUSH - Field, Ref# F-61U (wo/ Clip)	84-2100	HEX NUT - Contact Assy. (5-40 x 1/4 F x 3/32 T)
69-2202	BRUSH HOLDER - Strs. w/ Shallow C.E. Cover	84-2101	HEX NUT - Grd. Brush (6-32 x 5/16 F x 1/8 T)
69-2202-3	BRUSH HOLDER - Strs. w/ Shallow C.E. Cover	84-3900	RIVET - Grd. Brush & Contact Assy. (1/8 Dia. x 13/32 L, Copper)
69-2204	BRUSH HOLDER - Strs. w/ Deep C.E. Cover	84-3907	RIVET - Contact Assy. (1/8 Dia. x 1/2 L, Semi-Tubular)
69-2702	BRUSH SPRING	84-3909	RIVET - C.E. Bracket (3/16 Dia. x 15/32 L, Semi-Tubular)
71-2102	GASKET - Shift Lever Cover	84-4401	LOCK WASHER - Thru Bolt (1/4 ID, Split)
71-2302	GROMMET - Field Coil (Long)	84-4503	THRUST WASHER - D.E. (15/32 ID x 23/32 OD, Steel)
71-2303	GROMMET - Field Coil (Short)	84-4503-1	THRUST WASHER - D.E. (15/32 ID x 11/16 OD, Steel)
71-2304	SEAL - Shift Lever Cover	84-5905	SOLID PIN - D.E. Hsg. to Field Case (1/8 Dia. x 3/16)
72-2108	INSULATOR - C.E. Bracket	84-5906	SHIFT LEVER PIN - Shift Lever (1/4 Dia. x 13/16)
72-2111	INSULATOR - Brush Holder	84-5910	LOCATING DOWEL PIN - D.E. (3/8 Dia. x 1 L)
		84-7100	INSULATING WASHER - Contact Assy. (#5 ID)
		84-7603	BRAKE WASHER - C.E. (5/8 ID x 1-3/8 OD, Wax-Coated Leather)
		84-7604	THRUST WASHER - C.E. (5/8 ID x 1-1/8 OD, Fiber)

# FORD 4-1/2"

FORD 4-1/2"

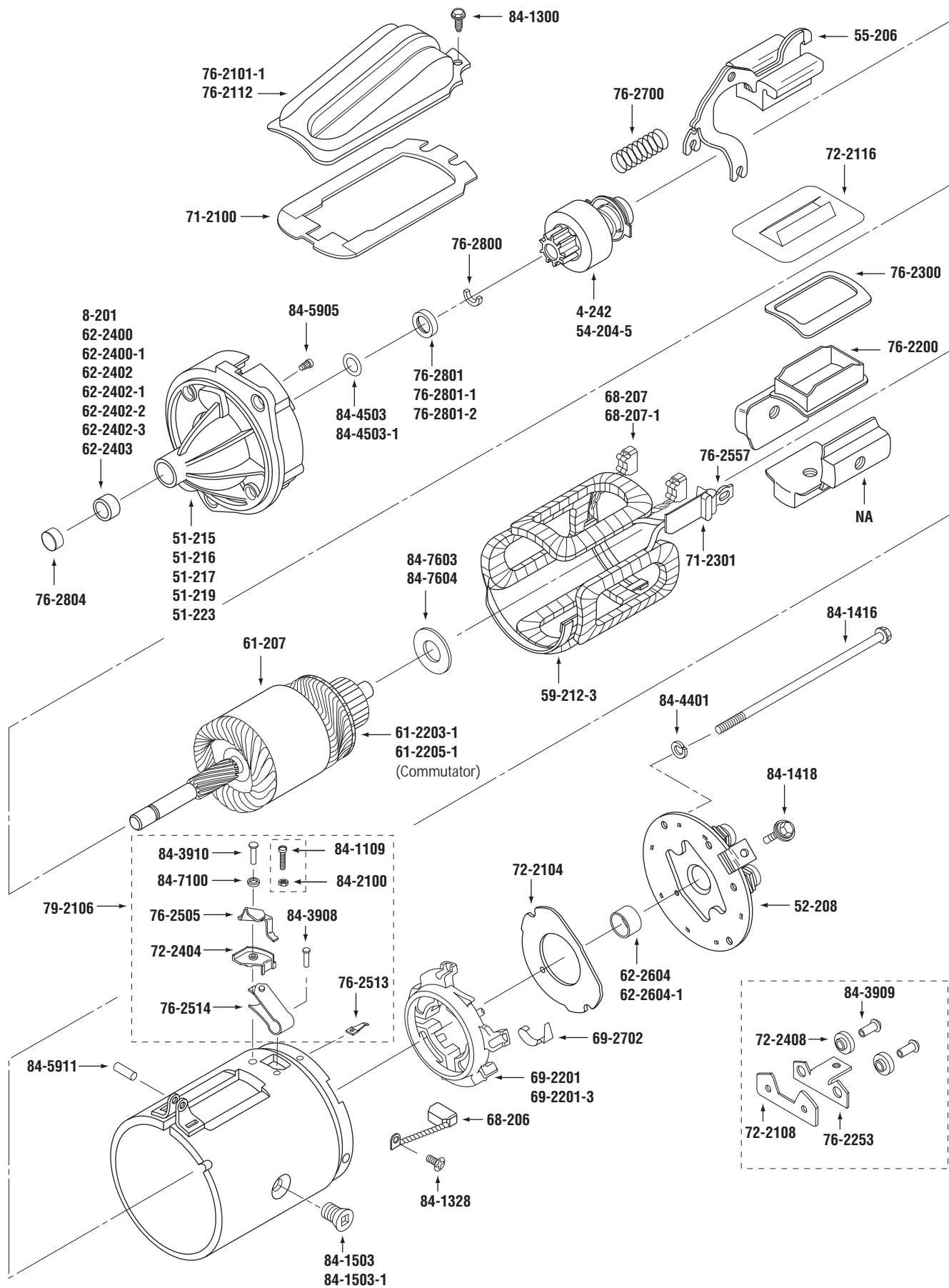


WAI No.	Description	WAI No.	Description
4-236	STARTER DRIVE (9-T, CW, 4-SPL, 72mm L, Accurate)	76-2200	RETAINING SLEEVE - Shunt Coil
4-238	STARTER DRIVE (10-T, CW, 3-SPL, 77mm L, Accurate)	76-2300	RETAINER - Field Coil
4-242	STARTER DRIVE (9-T, CW, 4-SPL, 72mm L, Accurate)	76-2306	MOUNTING SHIM - 2 & 3-Hole D.E. Hsgs. (.090 T)
4-340	STARTER DRIVE - Soln. Actuated Strs. (9-T, CW, 3-SPL, 72mm L, Accurate)	76-2500	CONTACT POST
8-201	NEEDLE BEARING - D.E. (12mm ID x 16mm OD x 10mm W)	76-2501	CONTACT POST
51-215	D.E. HOUSING (3/8-16 2-Ear Flg. Mtg.)	76-2502	CONTACT SPRING W/ BRUSH
51-216	D.E. HOUSING (3/8 3-Ear Flg. Mtg.)	76-2503	CONTACT POST
51-217	D.E. HOUSING (3/8 2-Ear Flg. Mtg.)	76-2504	CONTACT SPRING
51-219	D.E. HOUSING (3/8 2-Ear Flg. Mtg.)	76-2550	TERMINAL POST (5/16-18)
52-207	C.E. FRAME	76-2552	TERMINAL POST (5/16-24)
54-204-5	STARTER DRIVE (9-T, CW, 4-SPL, 72mm L)	76-2554	TERMINAL REPAIR POST - Field Coil Term. (5/16-24)
55-205	SHIFT LEVER	76-2555	TERMINAL REPAIR POST - Field Coil Term. (5/16-18)
59-207-3	FIELD COIL	76-2700	SPRING - Shift Lever Return
59-210	FIELD COIL - Soln. Actuated Strs.	76-2800	STOP RING - Str. Drive
61-207	ARMATURE (Ref# 2000)	76-2801	STOP COLLAR
61-2203-1	COMMUTATOR - Armature (25 Bars, 15.95mm ID x 60mm OD x 3.3mm Slot Width)	76-2801-1	STOP COLLAR (Stamped & Heat Treated)
62-2400	BUSHING - D.E. (.4725 ID x .5955 OD x .735 L)	76-2801-2	STOP COLLAR (Machined & Heat Treated)
62-2400-1	BUSHING - D.E. (1X-Undsz, .4700 ID x .5955 OD x .735 L)	79-2100	INSULATING KIT - Brush Holder
62-2401	BUSHING - D.E. (.4730 ID x .5170 OD x .720 L)	79-2101	CONTACT KIT
62-2402	BUSHING - D.E. (.4740 ID x .5955 OD x .400 L)	79-2103	CONTACT KIT
62-2402-1	BUSHING - D.E. (1X-Undsz, .4705 ID x .5955 OD x .400 L)	79-2104	CONTACT KIT
62-2402-2	BUSHING - D.E. (2X-Undsz, .4690 ID x .5955 OD x .400 L)	79-2500	TERMINAL KIT (5/16-24, Fine Thread)
62-2402-3	BUSHING - D.E. (.0075 3X-Undsz, .4640 ID x .5955 OD x .400 L)	79-2501	TERMINAL KIT (5/16-18, Coarse Thread)
62-2403	BUSHING - D.E., Replaces Needle Brg. (.4725 ID x .6313 OD x .400 L)	84-1104	SCREW - Contact Assy. (5-40 x 1/2 L, Slotted)
62-2600	BUSHING - C.E. (.6284 ID x .7525 OD x .600 L)	84-1215	SCREW - Contact Assy. (8-32 x 1/2 L, Phillips, Thd. Cut.)
62-2600-1	BUSHING - C.E. (1X Undsz, .6258 ID x .7525 OD x .600 L)	84-1314	SCREW - Cover Band (10-32 x 1-1/2 L, Slotted Hex)
62-2600-2	BUSHING - C.E. (2X Undsz, .6234 ID x .7525 OD x .600 L)	84-1328	SCREW - Grd. Brush (10-32 x 7/16 L, Phillips)
62-2604	BUSHING - C.E. (.6284 ID x .7525 OD x .430 L)	84-1335	SCREW - Grd. Brush (10-32 x 5/8 L, Phillips, Thd. Cut.)
62-2604-1	BUSHING - C.E. (1X-Undsz, .6259 ID x .7525 OD x .430 L)	84-1416	THRU BOLT (1/4-20 x 6-5/8 L)
68-203	BRUSH - Grd., Ref# F-5 (Unthreaded)	84-1503	SCREW - Pole Shoe (7/16-14 x 5/8 L, Square Drive)
68-204	BRUSH - Grd., Ref# F-5T (10-32 Threaded Term.)	84-1503-1	SCREW - Pole Shoe (7/16-14 x 5/8 L, Phillips)
68-204-3	BRUSH - Grd., Ref# F-5T (10-32 Threaded Term.)	84-2100	HEX NUT - Contact Assy. (5-40 x 1/4 F x 3/32 T)
68-205	BRUSH - Field, Ref# F-40U (w/ Clip)	84-2301	SQUARE NUT - Cover Band (10-32 x 3/8 F x 1/8 T)
68-205-1	BRUSH - Field, Ref# F-40A (wo/ Clip)	84-2407	HEX NUT - Field Coil Term. (5/16-18 x 1/2 F x 3/16 T, Zinc Plated)
69-2203	BRUSH HOLDER	84-2407-1	HEX NUT - Field Coil Term. (5/16-18 x 1/2 F x 1/4 T, Zinc Plated)
69-2400	INSULATOR - Brush Holder	84-2501	HEX NUT - Field Coil Term. (5/16-24 x 1/2 F x 3/16 T)
69-3700	BRUSH SPRING	84-3903	RIVET - Contact Assy. (1/8 Dia. x 1/4 L, Semi-Tubular)
71-2100	GASKET - Shift Lever Cover	84-3905	RIVET - Brush Holder (1/8 Dia. x 3/8 L, Semi-Tubular)
72-2101	INSULATOR - Contact Post	84-4100	LOCK WASHER - Contact Assy. (#5 ID, Split)
72-2102	INSULATOR - Contact Post	84-4401	LOCK WASHER - Thru Bolt (1/4 ID, Split)
72-2103	INSULATOR - Contact Post (No. 8 ID)	84-4402	LOCK WASHER - Field Coil Term. (5/16 ID, Split)
72-2112	INSULATOR - Contact Post	84-4405	FLAT WASHER - Field Coil Term. (5/16 ID)
72-2116	INSULATOR - Field Coil Repair	84-4503	THRUST WASHER - D.E. (15/32 ID x 23/32 OD, Steel)
72-2400	INSULATOR - Terminal Post	84-4503-1	THRUST WASHER - D.E. (15/32 ID x 11/16 OD, Steel)
72-2401	INSULATOR - Brush Holder (1/8 ID)	84-4900	FLAT WASHER - Field Coil Term. (5/16 ID, Oval Hole)
72-2402	INSULATOR - Contact Post (No. 5 ID)	84-5905	SOLID PIN - D.E. Hsg. to Field Case (1/8 Dia. x 3/16)
76-2100	COVER BAND	84-5911	SOLID PIN - Shift Lever (1/4 Dia. x 11/16 L)
76-2101-1	COVER - Shift Lever (Rust-Resistant, Galvanized Steel)	84-7401	INSULATING WASHER - Field Coil Term. (5/16 ID)
76-2112	COVER ASSY. - Shift Lever, Marine Strs.	84-7603	BRAKE WASHER - C.E. (5/8 ID x 1-3/8 OD, Wax-Coated Leather)
		84-7604	THRUST WASHER - C.E. (5/8 ID x 1-1/8 OD, Fiber)



# FORD 4-1/2" MOD I, II

FORD 4-1/2" MOD I, II



WAI No.	Description	WAI No.	Description
4-242	STARTER DRIVE (9-T, CW, 4-SPL, 72mm L, Accurate)	72-2108	INSULATOR - C.E. Bracket
8-201	NEEDLE BEARING - D.E. (12mm ID x 16mm OD x 10mm W)	72-2116	INSULATOR - Field Coil Repair
51-215	D.E. HOUSING (3/8-16 2-Ear Flg. Mtg.)	72-2404	INSULATOR - Contact Post
51-216	D.E. HOUSING (3/8 3-Ear Flg. Mtg.)	72-2408	INSULATOR - C.E. Bracket Rivet
51-217	D.E. HOUSING (3/8 2-Ear Flg. Mtg.)	76-2101-1	COVER - Shift Lever (Rust-Resistant, Galvanized Steel)
51-219	D.E. HOUSING (3/8 2-Ear Flg. Mtg.)	76-2110-1	COVER - Shift Lever, 4-1/2 Mod II Strs. (Rust-Resistant, Galvanized Steel)
51-223	D.E. HOUSING (3/8 2-Ear Flg. Mtg.)	76-2112	COVER ASSY. - Shift Lever, Marine Strs.
51-234	D.E. HOUSING - 4-1/2 Mod II Strs. (3/8 2-Ear Flg. Mtg.)	76-2200	RETAINING SLEEVE - Shunt Coil
51-236	D.E. HOUSING - 4-1/2 Mod II Strs. (3/8-16, 3/8 2-Ear Flg. Mtg.)	76-2204	RETAINING SLEEVE - Shunt Coil 4-1/2 Mod II Strs.
52-208	C.E. FRAME	76-2253	SUPPORT BRACKET - C.E. Frame (Straight)
54-204-5	STARTER DRIVE (9-T, CW, 4-SPL, 72mm L)	76-2300	RETAINER - Field Coil
55-206	SHIFT LEVER	76-2505	CONTACT POST
55-207	SHIFT LEVER - 4-1/2 Mod II Strs.	76-2513	TERMINAL - Contact Assy.
59-212-3	FIELD COIL	76-2514	CONTACT SPRING
61-207	ARMATURE (Ref# 2000)	76-2557	FIELD COIL TERMINAL (Straight)
61-2203-1	COMMUTATOR - Armature (25 Bars, 15.95mm ID x 60mm OD x 3.3mm Slot Width)	76-2700	SPRING - Shift Lever Return
61-2205-1	COMMUTATOR (25 Bars, 15.95mm ID x 60mm OD x 3.3mm Slot Width)	76-2800	STOP RING - Str. Drive
62-2400	BUSHING - D.E. (.4725 ID x .5955 OD x .735 L)	76-2801	STOP COLLAR
62-2400-1	BUSHING - D.E. (1X-Undersize, .4700 ID x .5955 OD x .735 L)	76-2801-1	STOP COLLAR (Stamped & Heat Treated)
62-2402	BUSHING - D.E. (.4740 ID x .5955 OD x .400 L)	76-2801-2	STOP COLLAR (Machined & Heat Treated)
62-2402-1	BUSHING - D.E. (1X-Undersize, .4705 ID x .5955 OD x .400 L)	76-2804	CUP - D.E. Hsg.
62-2402-2	BUSHING - D.E. (2X-Undersize, .4690 ID x .5955 OD x .400 L)	79-2106	CONTACT KIT
62-2402-3	BUSHING - D.E. (.0075 3X-Undersize, .4640 ID x .5955 OD x .400 L)	84-1109	SCREW - Contact Assy. (5-40 x 5/8 L, Slotted)
62-2403	BUSHING - D.E., Replaces Ndl. Brg. (.4725 ID x .6313 OD x .400 L)	84-1300	SCREW - Shift Lever Cover (10-32 x 1/2 L, Hex)
62-2604	BUSHING - C.E. (.6284 ID x .7525 OD x .430 L)	84-1328	SCREW - Grd. Brush (10-32 x 7/16 L, Phillips)
62-2604-1	BUSHING - C.E. (1X-Undersize, .6259 ID x .7525 OD x .430 L)	84-1416	THRU BOLT (1/4-20 x 6-5/8 L)
68-206	BRUSH - Grd., Ref# F-58	84-1418	SCREW - C.E. Bracket (1/4-20 x 7/8 L, Hex, w/ Att. Flat Washer)
68-207	BRUSH - Field, Ref# F-59U (w/ Clip)	84-1503	SCREW - Pole Shoe (7/16-14 x 5/8 L, Square Drive)
68-207-1	BRUSH - Field, Ref# F-59U (wo/ Clip)	84-1503-1	SCREW - Pole Shoe (7/16-14 x 5/8 L, Phillips)
69-2201	BRUSH HOLDER	84-2100	HEX NUT - Contact Assy. (5-40 x 1/4 F x 3/32 T)
69-2201-3	BRUSH HOLDER	84-3908	RIVET - Contact Spring (1/8 Dia. x 1/2 L, Copper)
69-2702	BRUSH SPRING	84-3909	RIVET - C.E. Bracket (3/16 Dia. x 15/32 L, Semi-Tubular)
71-2100	GASKET - Shift Lever Cover	84-3910	RIVET - Contact Post (1/8 Dia. x 9/16 L, Semi-Tubular)
71-2301	GROMMET - Field Coil	84-4401	LOCK WASHER - Thru Bolt (1/4 ID, Split)
71-2304	SEAL - Shift Lever Cover, 4-1/2 Mod II Strs.	84-4503	THRUST WASHER - D.E. (15/32 ID x 23/32 OD, Steel)
72-2104	INSULATOR - Brush Holder	84-4503-1	THRUST WASHER - D.E. (15/32 ID x 11/16 OD, Steel)
		84-5905	SOLID PIN - D.E. Hsg. to Field Case (1/8 Dia. x 3/16)
		84-5906	SHIFT LEVER PIN - Shift Lever, 4-1/2 Mod II Strs. (1/4 Dia. x 13/16)
		84-5911	SOLID PIN - Shift Lever (1/4 Dia. x 11/16 L)
		84-7100	INSULATING WASHER - Contact Assy. (#5 ID)
		84-7603	BRAKE WASHER - C.E. (5/8 ID x 1-3/8 OD, Wax-Coated Leather)
		84-7604	THRUST WASHER - C.E. (5/8 ID x 1-1/8 OD, Fiber)

